



Glasdon[®]

Quality By Design

Seats and Benches

www.glasdon.com

Traditional, Recycled-Material Seating	3-10
Recycled-Material Picnic Tables	11-14
Traditional, FSC®-Certified Hardwood Seating	15-18
Contemporary Seating	19-20
Children's Seating	21-23
Materials & Further Information	24-26
Commemorative Plaques & Personalisation	27-28
Photo Gallery	29-31

Founded in Blackpool in 1959, over the last 65 years we have grown into a successful worldwide brand.

Distributed in **100+** countries

Turnover **c.£40m**

280+ staff in UK, France & USA

B2B Dealing with Government funded sectors and with private and public companies worldwide.

Glasdon Pledge to Reach **Net Zero** By 2035  Net Zero by 2035 (with Scope 1 & 2 to be achieved by 2025).

The Environment is at our Core

We are passionate about our environment and are committed to continuously improving our environmental performance. Our goal is to drive lasting change to improve all of our futures, not only by improving our own processes but by providing our customers with the products to enable them to improve theirs.



Quality by Design

Our mission is to design, manufacture and supply innovative market-leading products that enable our customers to contribute towards a cleaner, safer and more sustainable environment.





Traditional Recycled-Material Seating

Our recycled-material seating range offers an environmentally friendly, sustainable outdoor seating solution.

These seats and benches come in a variety of styles from British heritage that matches traditional cast-iron street furniture, to wood-look benches that suit natural green spaces and modern, contemporary open spaces.



■ Elwood™ Seat

DESIGN FEATURES

- Environmentally friendly, recycled materials.
- Realistic timber-effect finish.
- Vandal and weather resistant.
- Nine colour combination options.
- Co-ordinates with other Glasdon street furniture.

MATERIAL & COLOUR OPTIONS

Slats: Enviropol® material (Black or Brown) or Timberpol® material (Light Brown or Dark Grey).
 Seat Ends: Everwood™ material in Black Oak, Dark Oak or Light Oak.
 Frame: Mild Steel with a corrosion-resistant Armortec® coating.

SPECIFICATIONS

Length: 1985mm
 Overall Depth: 660mm
 Seat Depth: 440mm
 Seat Height: 470mm
 Overall Height: 915mm
 Total seat weight including:
 Enviropol slats: 75kg (ground fixed)
 155kg (ballasted)
 Timberpol slats: 85kg (ground fixed)
 165kg (ballasted)
 Supplied fully assembled for immediate use.

FIXING OPTIONS

We strongly recommend ground fixing for safety and security.
 Surface fixing bolts and tamper-resistant cover caps supplied as standard.
 Ballasted seat ends (filled with concrete). Suitable mechanical lifting equipment is required to move the ballasted seat into position.
 Adjustable-depth, concrete-in-fixing kit.

Read about **THE FUTURE OF SUSTAINABLE SEATING** on the Glasdon website.



■ Phoenix® Seat

DESIGN FEATURES

- Environmentally friendly, recycled materials.
- Vandal-resistant, robust design.
- Never needs painting.
- Superb strength.
- Low maintenance: needs no surface treatment.
- Weather resistant: will not rot.
- Available with armrests.
- Co-ordinates with other Glasdon street furniture.

MATERIAL & COLOUR OPTIONS

Slats: Enviropol material (Black or Brown) or Timberpol material (Light Brown or Dark Grey)

Seat Ends and Armrests: Black Enviropol material.

SPECIFICATIONS

Length: 1790mm
 Seat Height: 428mm
 Depth: 574mm
 Overall Height: 702mm
 Total seat weight including:
 Enviropol slats: 75kg
 Enviropol slats: 90kg c/w 2 armrests
 Timberpol slats: 80kg
 Timberpol slats: 95kg c/w 2 armrests
 Supplied fully assembled for immediate use or in flat-pack form.



Phoenix Seat with Armrests also available

FIXING OPTIONS

We strongly recommend ground fixing for safety and security.

Surface fixing bolts supplied as standard.

Kits for surface fixing to concrete and paving slabs or to suit below-ground concrete foundations.

Tamper-resistant cover caps are also available.



■ Phoenix Jubilee™ Seat

DESIGN FEATURES

- Environmentally friendly, recycled materials.
- Robust, vandal-resistant design.
- Never needs painting.
- Superb strength.
- Low maintenance: needs no surface treatment.
- Weather resistant: will not rot.
- Long lasting.
- Co-ordinates with other Glasdon street furniture.

MATERIAL & COLOUR OPTIONS

Slats: Enviropol® material (Black or Brown) or Timberpol® material (Light Brown or Dark Grey).

Seat Ends: Black Enviropol material.

Frame: Steel with Armortec® coating

SPECIFICATIONS

- Length: 1970mm
- Depth: 780mm
- Seat Height: 460mm
- Overall Height: 880mm
- Total seat weight including:
 - Enviropol slats: 115kg
 - Timberpol slats: 119kg
- Supplied fully assembled for immediate use.

FIXING OPTIONS

- We strongly recommend ground fixing for safety and security.
- Surface fixing bolts supplied as standard.
- Kits for surface fixing to concrete and paving slabs or to suit below-ground concrete foundations.
- Tamper-resistant cover caps are also available.



■ Stanford™ Seat

DESIGN FEATURES

- 100% recycled aluminium seat ends.
- Traditional styling.
- Rigid steel frame.
- Vandal-resistant, robust design.
- Tamper-resistant construction.
- Low maintenance.
- Weather-resistant materials.
- Co-ordinates with other Glasdon street furniture.

MATERIAL & COLOUR OPTIONS

Slats: Enviropol material (Black or Brown) or Timberpol material (Light Brown or Dark Grey).
 Seat Ends: 100% recycled cast aluminium.
 Frame: Mild steel with Armortec® coating.

SPECIFICATIONS

Length: 1875mm
 Depth: 715mm
 Seat Height: 439mm
 Overall Height: 864mm
 Total weight including:
 Enviropol slats: 96kg
 Timberpol slats: 105kg
 Supplied fully assembled for immediate use.

FIXING OPTIONS

We strongly recommend ground fixing for safety and security.

Surface fixing bolts and tamper-resistant cover caps supplied as standard.

Kits for surface fixing to concrete and paving slabs or to suit below-ground concrete foundations.

Take a look at more
STANFORD pictures
 on flickr.





■ Lowther™ Seat

DESIGN FEATURES

- Cost-effective heritage seat.
- Recycled cast aluminium seat ends with Armortec® coating.
- Rigid L-shaped steel support frame (not applicable to models purchased with Vandalex® material slats).
- Vandal-resistant, robust design.
- Low maintenance.
- Weather-resistant materials.
- Large selection of slat colours/finishes.
- Co-ordinates with other Glasdon street furniture.

MATERIAL & COLOUR OPTIONS

Seat Ends: Recycled cast aluminium with Armortec coating.
 Frame: Mild Steel with Armortec coating.
 Slats: Timberpol material (Light Brown or Dark Grey), Enviropol material (Brown or Black) or Vandalex Material (Black, Dark Wood or Light Wood).

FIXING OPTIONS

We strongly recommend ground fixing for safety and security.
 Surface fixing bolts and tamper-resistant cover caps supplied as standard.
 Kits for surface fixing to concrete and paving slabs or to suit below-ground concrete foundations.

SPECIFICATIONS

	Enviropol/Timberpol Material	Vandalex Material
Length:	1903mm	1895mm
Depth:	584mm	584mm
Seat Height:	430mm	429mm
Overall Height:	830mm	830mm
Total weight including:		
Enviropol slats:	65kg	-
Timberpol slats:	75kg	-
Vandalex slats:	-	42kg
Supplied fully assembled for immediate use.		

Take a look at more
LOWTHER pictures
 on flickr.





Fusion™ Seat & Bench

DESIGN FEATURES

- Vandalex® material slats available in three paint finishes.
- Fire resistant.
- 100% recycled-material slats.
- Robust, vandal-resistant design.
- Low maintenance.
- Weather-resistant materials.

MATERIAL & COLOUR OPTIONS

Slats: Vandalex material (Black, Light Wood or Dark Wood).
 Frame: Black Steel with Armortec™ coating.

SPECIFICATIONS

	Seat	Bench
Length:	1800mm	1800mm
Depth:	585mm	310mm
Seat Height:	430mm	425mm
Overall Height:	775mm	425mm
Weight:	33kg	19kg

Supplied fully assembled for immediate use.

FIXING OPTIONS

We strongly recommend ground fixing for safety and security.
 Kits for surface fixing to concrete and paving slabs or to suit below-ground concrete foundations.
 Tamper-resistant cover caps are also available.



Fusion™ Bench



■ Countryside™ Seat & Bench

DESIGN FEATURES

- Environmentally friendly, recycled materials.
- Robust, vandal-resistant design.
- Never needs painting.
- Weather resistant: will not rot.
- Choice of four slat options.

MATERIAL & COLOUR OPTIONS

Slats: Enviropol® material (Black or Brown) or Timberpol® material (Light Brown or Dark Grey).
 Frame: Black Steel with Armortec® coating.

FIXING OPTIONS

We strongly recommend ground fixing for safety and security.
 Kits for surface fixing to concrete and paving slabs or to suit below-ground concrete foundations.
 Tamper-resistant cover caps are also available.

SPECIFICATIONS

	Seat	Bench
Overall Length:	1790mm	1790mm
Depth:	632mm	460mm
Seat Height:	430mm	430mm
Overall Height:	790mm	430mm
Total weight including:		
Enviropol slats:	70kg	55kg
Timberpol slats:	78.5kg	56kg
Supplied fully assembled for immediate use.		



Countryside™ Bench



■ Eco-Rest™ Seat & Bench

DESIGN FEATURES

- Environmentally friendly, recycled materials.
- Robust, vandal-resistant design.
- Weather resistant: will not rot.
- Tamper-resistant fixings prevent removal of slats.

MATERIAL & COLOUR OPTIONS

Slats: Enviropol® material (Black or Brown).
 Frame: Black Steel with Armortec® coating.

FIXING OPTIONS

We strongly recommend ground fixing for safety and security.
 Kits for surface fixing to concrete and paving slabs or to suit below-ground concrete foundations.
 Tamper-resistant cover caps are also available.

SPECIFICATIONS

	Seat	Bench
Overall Length:	1790mm	1790mm
Depth:	586mm	410mm
Seat Height:	435mm	422mm
Overall Height:	771mm	422mm
Weight:	60kg	55kg
Supplied fully assembled for immediate use.		



Eco-Rest™ Bench

Recycled-Material Picnic Tables

We offer a range of high-quality recycled picnic tables, suitable for parks, businesses and open spaces.

Glasdon picnic tables are made using environmentally friendly materials, are highly durable, and are all available as wheelchair-accessible models.



■ Clifton™ Picnic Table

DESIGN FEATURES

- Environmentally friendly, recycled materials.
- Robust, vandal-resistant design.
- Never needs painting.
- Superb strength.
- Low maintenance: needs no surface treatment.
- Weather resistant: will not rot.
- Long lasting.
- Co-ordinates with other Glasdon street furniture.
- Optional parasol hole available.

MATERIAL & COLOUR OPTIONS

Slats: Enviropol material (Black or Brown) or Timberpol material (Light Brown or Dark Grey).
 Frame: Enviropol material.

SPECIFICATIONS

	Clifton Picnic Table	Wheelchair Access Option
Overall Length:	1790mm	1790mm
Seat Length:	1790mm	1450mm
Height:	768mm	768mm
Seat Height:	458mm	458mm
Depth:	1310mm	1310mm

Total weight including:
 Enviropol slats: 131kg 140kg
 Timberpol slats: 141kg 150kg
 Both options supplied fully assembled for immediate use.
 Clifton Picnic Table can also be supplied in flat-pack form (this does not include the wheelchair access model).



Wheelchair access model

FIXING OPTIONS

We strongly recommend ground fixing for safety and security. Kit for securing to a flat, level, concrete base or to paving slabs (supplied as standard with the wheelchair access version).
 Tamper-resistant cover caps are also available.
 Optional extended legs for soft ground anchorage.



Bowland™ Picnic Table

DESIGN FEATURES

- Environmentally friendly, recycled materials.
- Easy seating access for 6-8 people.
- Rounded slats on all edges for safety and comfort.
- Robust, vandal-resistant design.
- Superb strength.
- Large selection of slat colours/finishes.
- Slat require minimal maintenance and need no surface treatment.
- Weather resistant: will not rot.
- Long lasting.
- Optional parasol hole*
- Wheelchair access model available (Enviropol® model only).

*Only available for Enviropol & Timberpol models.

MATERIAL & COLOUR OPTIONS

Frame: Mild steel with Armortec® coating.

Slats: Enviropol material (Black or Brown), Timberpol material (Light Brown or Dark Grey) or Vandalex material (Black, Dark Wood or Light Wood).

SPECIFICATIONS

	Bowland Picnic Table	Wheelchair Access Option
Maximum Length:	1790mm	1900mm
Seat Length:	1790mm	1488mm
Depth:	1318mm	1318mm
Seat Height:	458mm	458mm
Overall Height:	758mm	758mm
Total weight including:		
Enviropol slats:	114kg	106kg
Timberpol slats:	124kg	-
Vandalex slats:	60kg	-
Supplied fully assembled for immediate use.		



Wheelchair access model

FIXING OPTIONS

Please note the Bowland Picnic Table must be securely bolted down for safety and security. Self-tapping anchor bolts supplied as standard for fixing onto concrete or paving slabs.



■ Pembridge™ Picnic Table

DESIGN FEATURES

- Environmentally friendly, recycled materials.
- Easy seating access for up to 8 people.
- Rounded slats on all edges for safety and comfort.
- Robust, vandal-resistant design.
- Never needs painting.
- Superb strength.
- Low maintenance: needs no surface treatment.
- Weather resistant: will not rot.
- Long lasting.
- Optional parasol hole.

MATERIAL & COLOUR OPTIONS

Slats: Enviropol® material (Black or Brown) or Timberpol® material (Light Brown or Dark Grey).
 Frame: Enviropol® material.

SPECIFICATIONS

	Pembridge Picnic Table	Wheelchair Access Option
Length:	1800mm	1800mm
Depth:	1800mm	1800mm
Seat Height:	450mm	450mm
Overall Height:	764mm	764mm
Total weight including:		
Enviropol slats:	180kg	160kg
Timberpol slats:	196kg	176kg
Total weight including delivery pallet:		
Enviropol slats:	230kg	210kg
Timberpol slats:	246kg	226kg

Delivered partially assembled ready for self-assembly. Suitable mechanical lifting equipment is advised. Safe manual handling also required.



Wheelchair access model

FIXING OPTIONS

We strongly recommend ground fixing for safety and security.
 Self-tapping anchor bolts supplied as standard for fixing onto concrete or paving slabs.



Traditional FSC®-Certified Hardwood Seating

Glasdon offer a range of wooden seats that are ideal for areas of natural beauty such as parks, gardens, nature reserves and the countryside.

All our traditional seating originates from FSC®-certified plantations.

FSC®-Certified Seating on pages 16-17

- Integrates well with natural surroundings.
- Traditional design, craftsman made.
- Perfect for tough environments.
- Hardwood from FSC-certified plantations.
- Hard wearing & long lasting.
- Complements other Glasdon street furniture.

Timber and the Environment

Timber is one of the world's few renewable natural resources. The long-term interests of our forests are best served by actively supporting a well-managed timber industry that will always protect the forest from the threat of total clearance for agriculture.

What is FSC?

The Forest Stewardship Council* (FSC), founded in 1993, is an international, non-governmental organisation dedicated to promoting responsible management of the world's forests. It operates a system of forest certification and product labelling to identify wood from well-managed forests.

Forests are inspected by independent organisations and certified against strict standards. To be given FSC certification, a forest must be managed in an environmentally appropriate, socially beneficial and economically viable manner.

Only forests that meet these strict standards are then given FSC certification and the timber is allowed to carry the FSC label.

For Glasdon traditional seating we use only those suppliers who can prove sensitivity to environmental considerations and who purchase responsibly sourced material.

All of our traditional seating products originate from FSC-certified plantations.



**The mark of
responsible forestry**



■ Larbreck™ Seat

DESIGN FEATURES

- Hard-wearing seat with a high-quality appearance.
- Fully sculpted back rails provide comfort.

MATERIAL

Constructed using generous sections of FSC®-Certified Hardwood.

SPECIFICATIONS

Length:	1500mm
Depth:	640mm
Height:	980mm
Seat Height:	455mm
Weight:	35kg

Supplied fully assembled for immediate use.
(Dimensions for hardwood seating may vary.)

FIXING OPTIONS

We strongly recommend ground fixing for safety and security.
Kits for surface fixing to concrete and paving slabs.
Tamper-resistant cover caps are also available.



Norbreck™ Seat

The Norbreck seat is similar in design to the Larbreck seat but incorporates flat (instead of curved) armrests.



■ Westby™ Seat

DESIGN FEATURES

- Designed to provide maximum comfort.
- Hard wearing and long lasting.
- Tamper-resistant fixings prevent removal of slats.

MATERIAL

Constructed using generous sections of FSC®-Certified Hardwood.

SPECIFICATIONS

Length:	1500mm
Depth:	640mm
Height:	900mm
Seat Height:	455mm
Weight:	35kg

Supplied fully assembled for immediate use.
(Dimensions for hardwood seating may vary.)

FIXING OPTIONS

We strongly recommend ground fixing for safety and security.
Kits for surface fixing to concrete and paving slabs.
Tamper-resistant cover caps are also available.

Contemporary Seating

Glasdon contemporary seating is designed to co-ordinate with modern architecture and urban public open spaces and is ideal for town and city regeneration projects.

A choice of environmentally friendly, recycled-material slats and attractive seat ends is available to complement your indoor and outdoor environments.



■ Vistra™ Seat

DESIGN FEATURES

- Modern design to complement contemporary environments.
- Large selection of slat and seat-end finishes gives 8 potential appearances.
- Slats made from environmentally friendly, recycled materials.
- Robust, vandal-resistant design.
- Corrosion resistant seat ends require minimal maintenance.
- 100% recyclable at the end of the product's life.
- Personalisation available with commemorative/memorial plaques.

MATERIAL & COLOUR OPTIONS

Slats: Enviropol material (Black or Brown) or Timberpol material (Light Brown or Dark Grey)
Seat Ends: Armortec-coated cast aluminium in Silver or Anthracite Grey.
Support Frame: Steel with Armortec® coating.
Fixings: Stainless Steel

SPECIFICATIONS

Length:	1814mm
Depth at Ground Level:	251mm
Overall Depth:	475mm
Seat Height:	450mm
Overall Height:	800mm
Total seat weight including:	
Enviropol slats:	58kg
Timberpol slats:	62kg

FIXING OPTIONS

We strongly recommend ground fixing for safety and security.
Concrete surface fixing bolts supplied as standard.
Kits for surface fixing to concrete and paving slabs or to suit below-ground concrete foundations.

Children's Seating

Glasdon offer a range of children's indoor and outdoor seating, including traditionally styled seats, benches and picnic tables, and fun novelty seating that encourages tactile play.

Ideal for any children's play area, these seating products are low maintenance, will not splinter and are highly robust.

■ Junior Countryside™ Seat, Bench & Picnic Table



DESIGN FEATURES

- Environmentally friendly materials.
- Slats will not rust or splinter.
- Low maintenance.
- Robust, vandal-resistant design.

MATERIALS & COLOUR OPTIONS

Slats: Enviropol material (Black or Brown) or Timberpol material (Light Brown or Dark Grey).
End Supports: Mild Steel with Armortec® coating.

SPECIFICATIONS

	Seat	Bench	Picnic Table
Overall Length:	1790mm	1790mm	1790mm
Overall Height:	562mm	372mm	610mm
Depth:	430mm	306mm	1006mm
Seat Height:	372mm	372mm	372mm
Depth of Table Top:	n/a	n/a	450mm
Total weight including:			
Enviropol slats:	50kg	30kg	100kg
Timberpol slats:	56kg	31.5kg	114kg
Supplied fully assembled for immediate use.			

FIXING OPTIONS

We strongly recommend ground fixing for safety and security.
Kits for surface fixing to concrete and paving slabs or to suit below-ground concrete foundations.
Tamper-resistant cover caps are also available.

CO-ORDINATING PRODUCTS

The Junior Countryside™ range incorporates the stylish, modern design of the full-size Countryside™ Seat & Bench (please see Page 13), offering a co-ordinated range of seating.





■ Munchy™ The Caterpillar Seat

DESIGN FEATURES

- Modular design can be expanded to add extra seating as required.
- No finger traps or sharp edges.
- Drainage slots ensure rainwater runs off quickly.

MATERIALS

Head/Body/Tail/Nose/Cover Caps: Durapol® material.
 Eyes: Duratec™ material.
 Fixings: Mild Steel.
 Free-standing Feet: PVC.

SPECIFICATIONS

Overall Height (to top of head):	672mm
Seat Height:	352mm
Weights:	
Head:	5.9kg
Tail:	3.0kg
Body:	9.4kg
Standard Model:	27.7kg

FIXING OPTIONS

The Munchy seat can either be surface fixed using concrete anchor bolts or supplied with PVC feet for a free-standing application.

Sand ballasting is available for the free-standing option to provide additional security against unauthorised movement or theft.





Materials & Further Information

Our seats and benches are available in different materials such as plastics, recycled material, steel and FSC-certified hardwood, offering a range of aesthetics, colour options and resistances.

Glasdon seats and benches are coordinated with our wider range of street furniture, including litter bins, outdoor recycling bins, bollards and shelters.

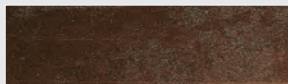
Enviropol® Material

Enviropol recycled material was first introduced by Glasdon in 1993 and is predominantly produced from post-consumer plastics. As a result of subsequent government initiatives to increase the availability of uncontaminated segregated waste for recycling, there have been significant advances in the control and separation of recyclable waste. Glasdon can therefore maintain strict controls over the recycled waste materials used to formulate Enviropol material, which ensures that only those with the required physical properties are specified in the manufacture of our premium recycled product.

It is also 100% recyclable when it reaches the end of its service life.



Black Enviropol



Brown Enviropol

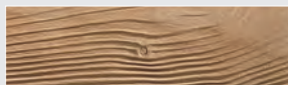
Enviropol Material Benefits

The density, strength and weather resistance of Enviropol material will ensure a long, virtually maintenance-free service life. It is self-coloured and needs no painting or surface treatment. The material is resistant to chemical attack and impervious to water, frost and most corrosive substances. Enviropol material is unaffected by brine, animal waste, bacteria, fungi and insects.

Everwood™ Material

Everwood material is a specially formulated blend of Durapol® material that emphasises the grain-like appearance of timber. Unlike timber it requires no regular surface treatments, such as staining or painting, and the material will be unaffected by brine, bacteria, rot, mould and insects.

Everwood is easy to clean, requires low maintenance and can be recycled at the end of its life. Like Durapol material, it has been formulated to withstand extreme temperatures and is impact tested in our Quality Assurance Laboratory as part of our BS EN ISO 9001:2015 test procedure.



Everwood

Timberpol® Material

Timberpol material is a durable and strong composite material containing a minimum of 70% recycled hardwood sawdust and recycled polypropylene. It is a remarkably versatile product with many benefits.



Timberpol

Timberpol Material Benefits

A great advantage of Timberpol material is that, whilst it looks like wood, it does not splinter and is knot-free, making it ideal for seating. It is self-coloured, but a certain amount of natural colour fading will initially occur, as with all products containing timber. This does not affect the performance of Timberpol material and no painting or varnishing is ever required during its long working life.

Duratec™ Material

Duratec™ material has been specifically created for use in internal environments. In addition to its attractive appearance it offers a blend of toughness, rigidity and dimensional stability.

Grade 316 Stainless Steel

Grade 316 stainless steel (marine grade) is a highly durable and low-maintenance material. Even when located in areas of high salinity (e.g. coastal areas), it will exhibit only very slight evidence of corrosion.

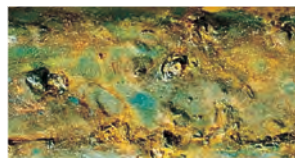
No painting or coating is required, but the pristine appearance can be maintained by regular cleaning with warm, soapy water. Any light staining that may occur on the surface can be removed with WD40 or an equivalent product. Alternatively, there are a number of proprietary stainless steel cleaners available. However, if used, they must be low in chlorine or be spirit based.

Armortec® Corrosion-Resistant Coating

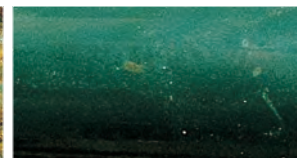
All metal frame coatings are approved to the Glasdon Armortec coating standard for durability and life expectancy. If the coating is damaged by scratching, corrosion will not spread further than the immediate area.

Salt Spray and Impact Tests

The Glasdon post with Armortec coating lasted 5 times longer than the other sample.



Without Armortec Coating



With Armortec Coating

Both mild steel post samples were subjected to repeated impact with a metal hammer. This was followed by six months in a salt spray cabinet in the Glasdon Quality Assurance Laboratory.

The salt spray cycle is a very aggressive test that accelerates the corrosion process and simulates long-term weathering in an outdoor environment.

Durapol® Material

Durapol material is an extremely robust material, which makes it ideal for use in the manufacture of various products. Durapol material is a polymer formulated to withstand extreme temperatures and is impact tested in our Quality Assurance Laboratory as part of our BS EN ISO 9001:2015 test procedure. Durapol material will not chip or rust, is easy to clean and never needs painting.

Available in a choice of self-coloured options, including black, which contains recycled material.

Vandalex® Material

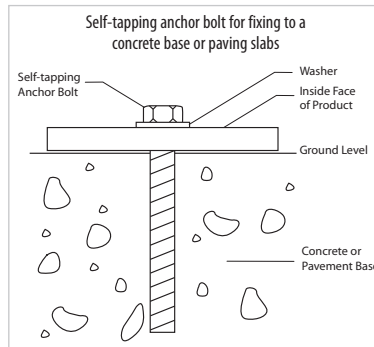
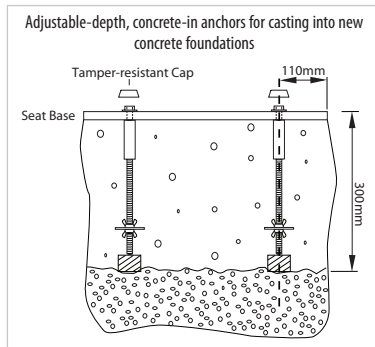
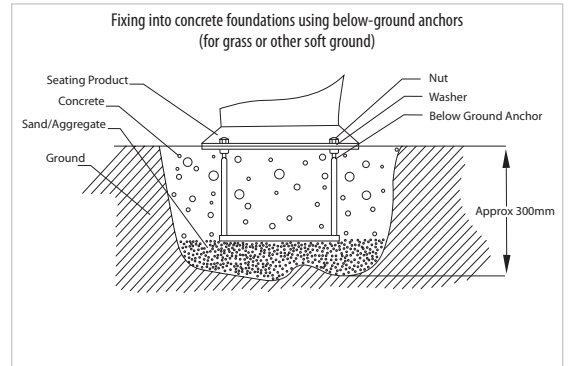
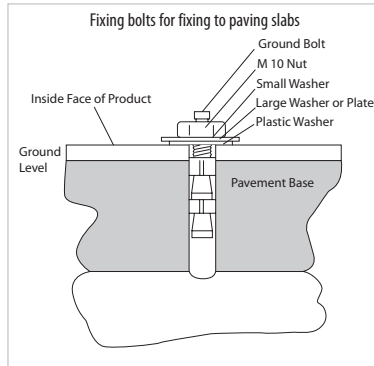
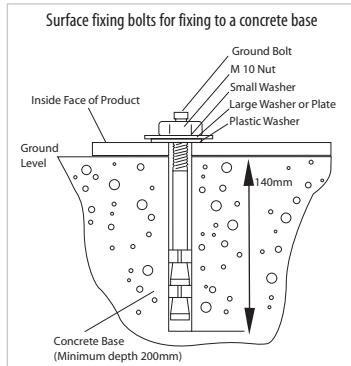
Vandalex material is an aluminium alloy engineered to produce a high modulus of elasticity, which offers increased impact absorption properties. Its anodised finish will not rust, is easy to clean and never needs painting.

Which materials do Glasdon use for their seats and benches? Watch the video on YouTube.



■ Base Fixing Options

Most Glasdon seating can be supplied with different fixing kits depending on requirements:



Strength & Durability

All seating within the Glasdon range is rigorously tested for strength and durability by our in-house Quality Assurance Department to ensure maximum protection against vandals and the elements.

We have accreditation with ISO 9001:2015 & ISO 14001, underlining our commitment to quality.

*The fixings supplied may differ from those illustrated.

■ Co-ordinating Products

Many of the Glasdon seats and benches can be co-ordinated with litter bins and bollards within the full Glasdon product range.



Elwood™ Seat with co-ordinating Sherwood™ Litter Bin and Glenwood™ Posts.



Stanford™ Seat with co-ordinating Brunel™ Litter Bin.

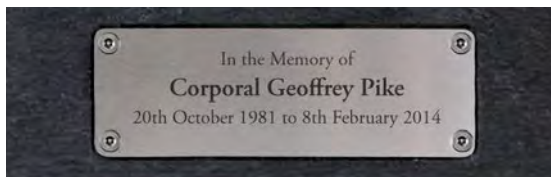


Munchy™ Caterpillar Seat with co-ordinating TidyBear™ Novelty Litter Bin and Froggo™ Novelty Litter Bin.

Commemorative Plaques & Personalisation

A memorial seat is a thoughtful way to remember someone. Glasdon offer a wide selection of indoor and outdoor seats that can be personalised with a commemorative plaque that is laser etched with any dedication you would like.

■ Memorial Seating and Commemorative Plaques



The majority of Glasdon seats can be supplied with a stainless steel plaque that is laser etched with any dedication you would like.

The plaques are usually 150mm wide and 50mm high (plaques on the Lowther™ Seat and Stanford™ Seat are limited to 40mm high), although 200mm long plaques can be used if needed. Laser etching allows much greater flexibility for your message. Other engraving methods are generally limited to a fixed font and a maximum number of characters, but with laser etching we can even include simple graphics.

Some local authorities run their own schemes for the centralised purchase of memorial seats. If you would like your seat to be located on public land (such as parks, beachfronts or cemeteries/memorial gardens), you should always contact your council to discuss whether your idea is permitted. Many authorities require specific Glasdon seats to be used; popular choices are the Stanford Seat or the Phoenix® Seat, which are extremely hard wearing and require almost no maintenance. Local authorities will frequently handle the ordering process for you, arranging to receive delivery and install the seat at your agreed location.

When you order your memorial seat from Glasdon, we will take the wording and produce a computer visual that will be posted or e-mailed to you before we produce the plaque to make sure it is exactly what you want. When you are happy with the visual, sign the approval sheet and send it back to us, and we will have the plaque engraved as quickly as possible. The ordering process usually takes 4-6 weeks from beginning to end.

Check out **8 IDEAS FOR YOUR MEMORIAL BENCH PLAQUE** on the Glasdon website.

■ Decorative Crest Personalisation



Stanford Seat

Personalised polycarbonate plaques can be supplied to fit the rectangular recessed area on Stanford Seat ends. In addition to this, a circular polycarbonate plaque can be fitted to the Stanford Seat. This can be personalised with your name, message or logo.



Lowther Seat

The rectangular recessed area on the ends of the Lowther Seat can be personalised with graphics. A circular, mild-steel plaque can also be fitted to the Lowther Seat and personalised with your crest or logo.

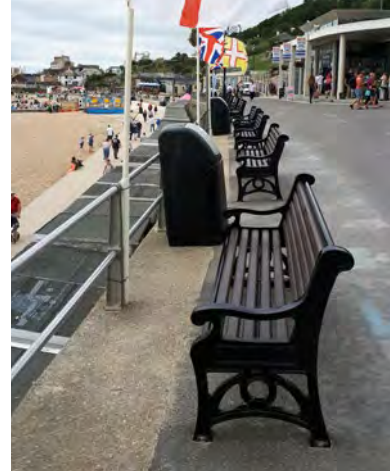
For more information on this service, including prices, please telephone our Sales Office on 01253 600410.

Take a look at more **PERSONALISATION** pictures on flickr.









COMPLETE YOUR VISTA... WITH THE VISTRA™ SEAT

- Manufactured with Recycled Materials
- 8 colour combinations
- Cost-effective and low maintenance

Find out more



Complete a Quote, Live Chat with Us or Sign Up to Our Newsletter and We Will Plant a Tree!
[View our Virtual Forest](#)



Need Help? Find the most popular product for **YOUR** industry.

— Industries —

Indoor Litter Bins / Outdoor Litter Bins



Indoor Recycling Bins / Outdoor Recycling Bins



Sign up for our newsletter here & we'll plant a tree!



Free Delivery

(Terms and Conditions Apply)

www.glasdon.com



Glasdon U.K. Limited

Preston New Road
 BLACKPOOL
 Lancashire
 FY4 4UL
 United Kingdom

Tel: (01253) 600410

Fax: (01253) 792558

E-mail: sales@glasdon-uk.com

Web: www.glasdon.com



ANNIVERSARY
 1959 - 2024

YEARS
65

