

# Neopolitan™ Delineator Post

## INSTALLATION AND MAINTENANCE INSTRUCTIONS

IMPORTANT NOTE: ENSURE THAT ALL RELEVANT PERSONNEL READ THESE INSTRUCTIONS PRIOR TO USE

We recommend that a risk assessment is undertaken to identify an appropriate location for installation.

**Install a minimum distance of 100mm from any edge of concrete or tarmac base.**

Please also refer to the 'Manual Handling Operations Regulations 1992' during the handling of the product and materials used for installation. Glasdon recommends that a full Health and Safety analysis is carried out prior to installation.

### SURFACE MOUNTED

#### KIT CONTENTS:

ITEM 1 - NEOPOLITAN DELINEATOR POST	x1
ITEM 2 - SELF TAPPING ANCHOR BOLTS (M10x100mm)	x4
ITEM 3 - WASHER (M12x28mm)	x4

#### TOOLS/EQUIPMENT REQUIRED:

- SWEEPING BRUSH
- SOCKET WRENCH (17MM SOCKET)
- SDS DRILL (10MM DRILL BIT)

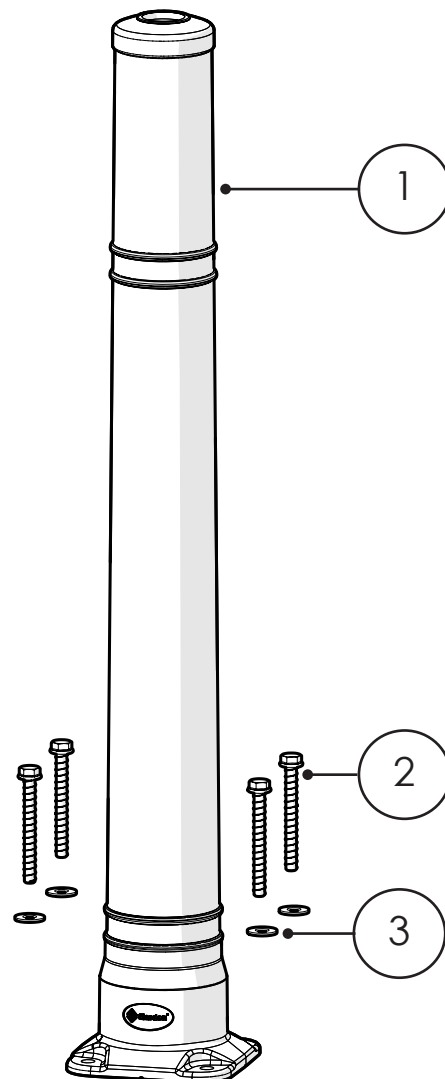
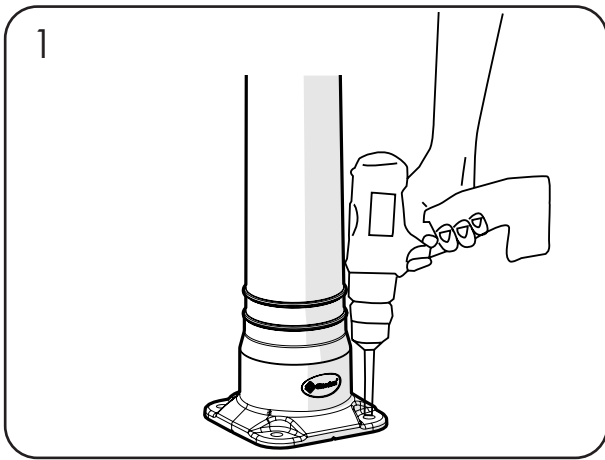


DIAGRAM NOT TO SCALE

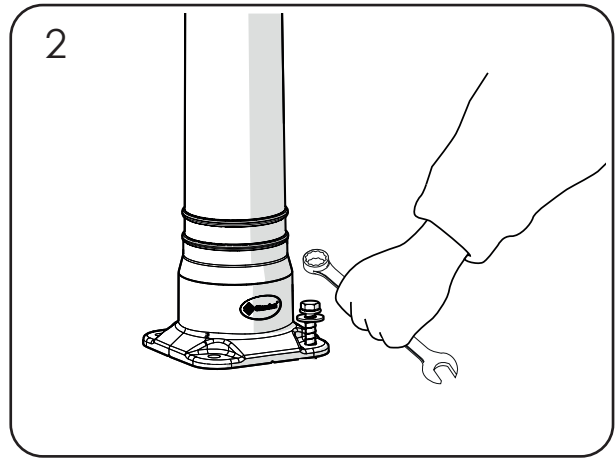
## INSTALLATION INSTRUCTIONS

### SURFACE MOUNTED

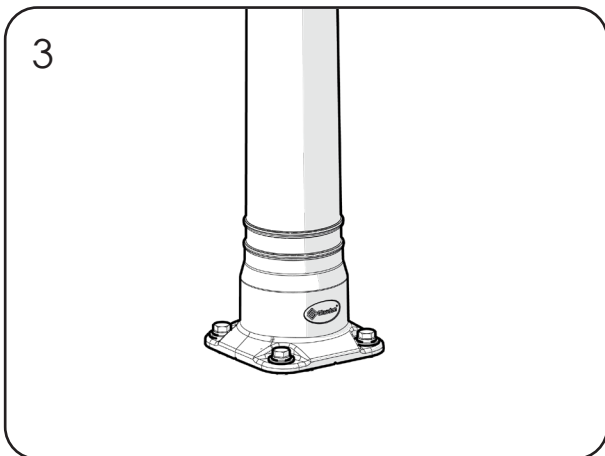
Orientate the post so that the product badge faces oncoming traffic in the nearside lane.



Place the post (ITEM 1) in the desired location and drill a 10mm hole with the SDS drill to a depth of 120mm into the concrete or tarmac using the base as a guide. Brush away any debris afterwards.



Place a washer (ITEM 3) onto an anchor bolt (ITEM 2) and place into the drilled hole. Use a socket wrench to tighten to a torque of 60Nm (dependent upon surface).



Repeat the process for the remaining three fixings.

## SOCKETED KIT CONTENTS:

ITEM 1 - NEOPOLITAN DELINEATOR POST WITH ADAPTER BASE	x1
ITEM 4 - GLASDON KEY	x1
ITEM 5 - LOCKFAST MINI SOCKET	x1

## TOOLS/EQUIPMENT REQUIRED:

- DIAMOND CORE DRILL
- DIAMOND CORE DRILL BIT (Ø91x170MM)
- FAST SETTING RESIN
- APPLICATOR GUN
- SWEEPING BRUSH
- GLOVES

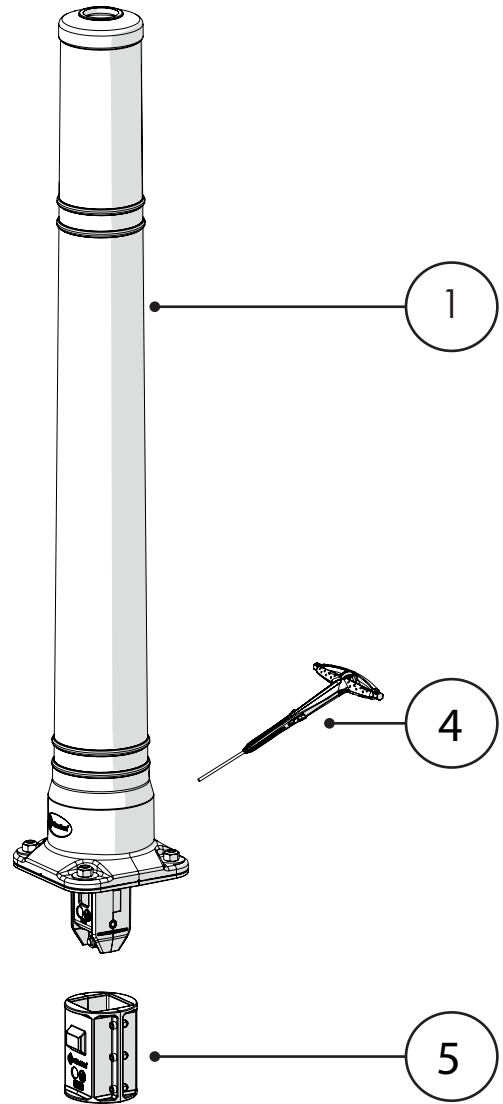
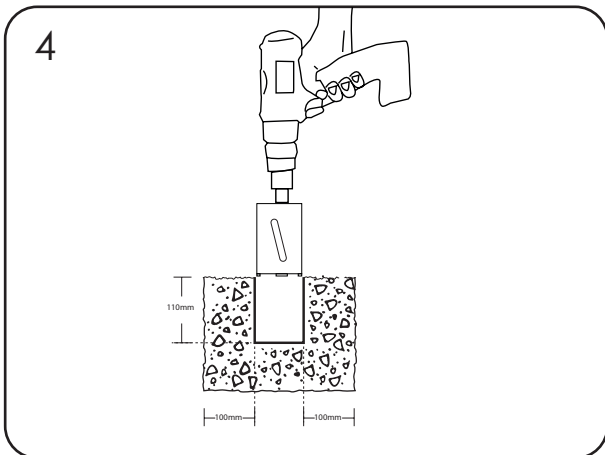


DIAGRAM NOT TO SCALE

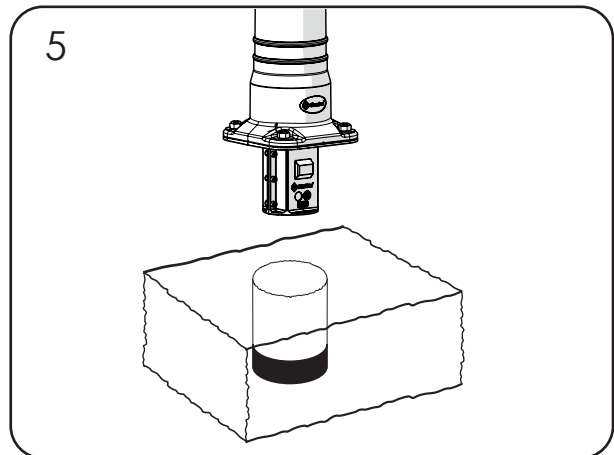
## INSTALLATION INSTRUCTIONS

### SOCKETED

Orientate the post and socket so that the product badge faces oncoming traffic in the nearside lane.



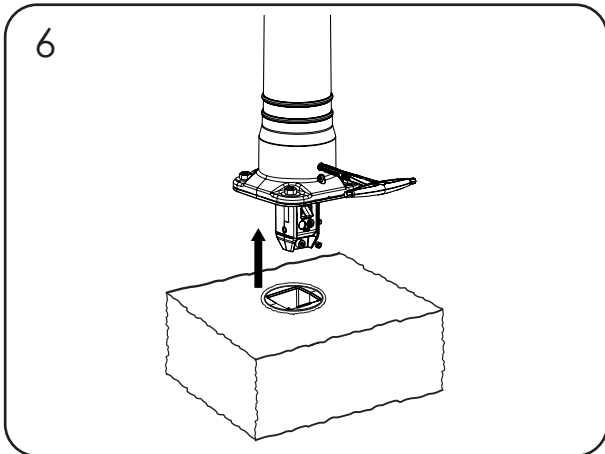
Drill a Ø91mm hole to a minimum depth of 110mm into the concrete or tarmac surface using a diamond core drill and drill bit in the desired location. Remove any debris from inside and around the hole.



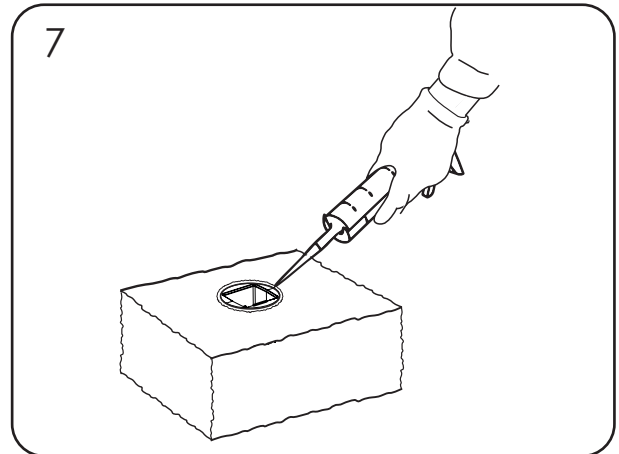
Fill approximately 1/4 of the hole with resin (200ml or 30mm depth). Place the socket (ITEM 5) (attached to post - ITEM 1) into the resin, ensure it is central to the hole. Allow the resin to cure (refer to resin manufacturer instructions).

## INSTALLATION INSTRUCTIONS

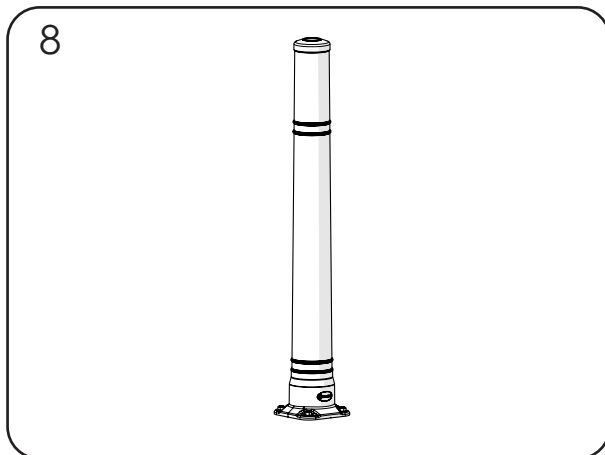
### SOCKETED



When the resin is cured, remove the post using a Glasdon Key (ITEM 4).



Fill the remaining space around the socket with resin to ground level and wipe away any excess.



Once the resin is fully cured place the post back into the socket, checking that the lock correctly engages.

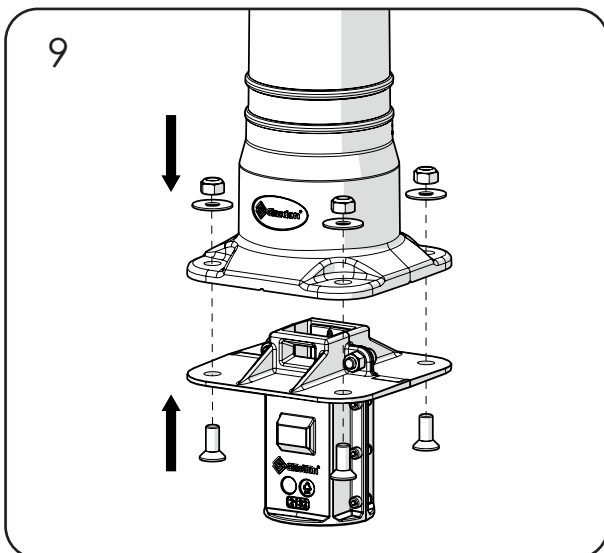
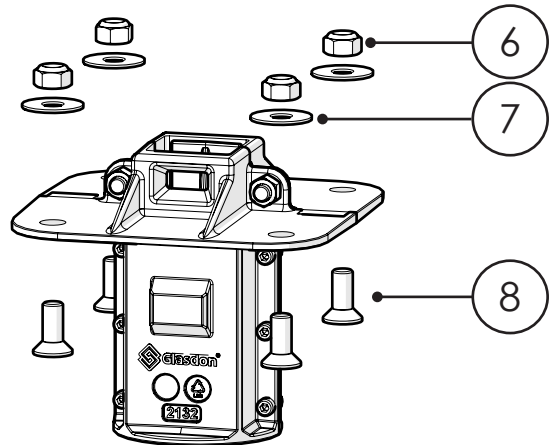
## SOCKET ADAPTER TO POST FITTING

### KIT CONTENTS:

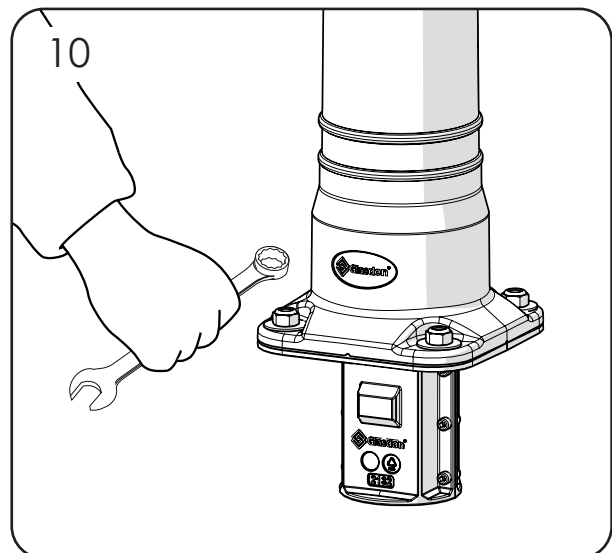
ITEM 1 - SCREW (M10x25mm)	x4
ITEM 2 - WASHER (M10x30mm)	x4
ITEM 3 - NUT (M10)	x4

### TOOLS/EQUIPMENT REQUIRED:

- SOCKET WRENCH (17MM SOCKET) or 17MM SPANNER
- 6MM ALLEN KEY



Align the socket to the post and place a screw (ITEM 8) through the socket and adjust with the washer (ITEM 7) and the nut (ITEM 6) .




Use a socket wrench or spanner to tighten. Repeat the process for the remaining three fixings.





**IMPORTANT NOTE:** PLEASE ENSURE THAT ALL RELEVANT PERSONNEL READ THE POINTS LISTED WITHIN THIS LEAFLET AND THAT A COPY IS GIVEN TO STAFF INVOLVED WITH THE INSTALLATION AND MAINTENANCE OF THIS PRODUCT  
**SAFETY NOTE:** PLEASE REFER TO 'THE MANUAL HANDLING OPERATIONS REGULATIONS 1992' DURING HANDLING.

 **Glasdon** NEOPOLITAN AND LOCKFAST ARE TRADEMARKS OR REGISTERED TRADEMARKS OF GLASDON GROUP OR ITS SUBSIDIARIES IN THE U.K. AND OTHER COUNTRIES

- A planned maintenance schedule or regular inspection is recommended, replacing components as necessary.
- Replacement components are available direct from GLASDON.
- GLASDON cannot be held responsible for claims arising from incorrect installation, unauthorised modifications or misuse of the product.

Stock No. C000/0536 - DWG No. 02B-090-10 Issue 1 - July 2022

© Copyright July 2022

Glasdon UK Ltd reserve the right to alter specifications without prior notice.

 **Glasdon®**  
**Glasdon U.K. Limited**  
Preston New Road  
BLACKPOOL  
Lancashire  
FY4 4UL  
Tel: (01253) 600410  
Fax: (01253) 792558  
e-mail: [sales@glasdon-uk.co.uk](mailto:sales@glasdon-uk.co.uk)  
web: [www.glasdon.com](http://www.glasdon.com)