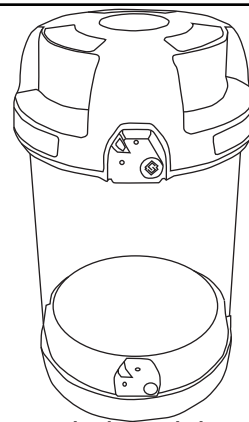




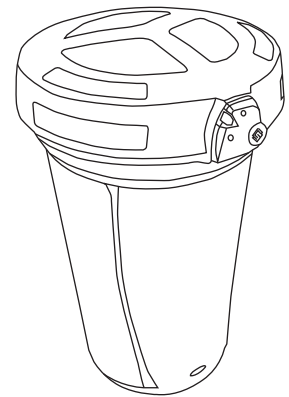
NEXUS™ 130 TRIO AND C-THRU™ TRIO INSTRUCTION LEAFLET

NOTE: Ensure that all relevant personnel read the points listed below and that a copy is passed on to staff involved with the installation. Please also refer to the 'Manual Handling Operations Regulations 1992' during the handling of the product and materials used for installation.

Please note the operating instructions are the same for the Nexus 130 trio and the C-Thru trio for both hood types. The drawings depict the use of the Nexus 130 with an open topped hood as an example.



Hooded Model on
C-Thru Body



Open topped model on
Nexus 130 Body

OPERATION:

OPENING THE UNIT:

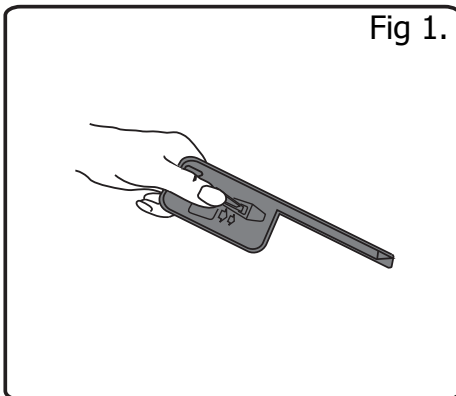


Fig 1.

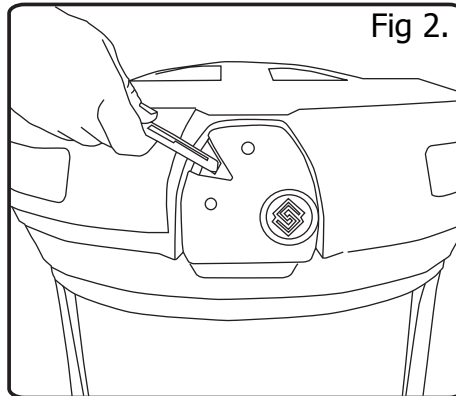


Fig 2.

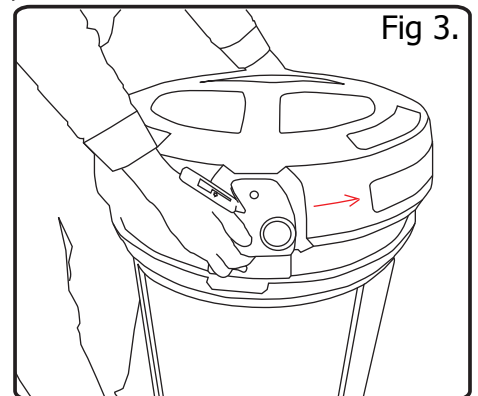


Fig 3.

1. Ensure illustration on the key is uppermost.
2. Insert key into entry point in the lock. Do not turn, entry alone will release lock.
3. Leaving the key in the lock turn the lid slightly anti-clockwise and then lift off the bin body.

CLOSING THE UNIT:

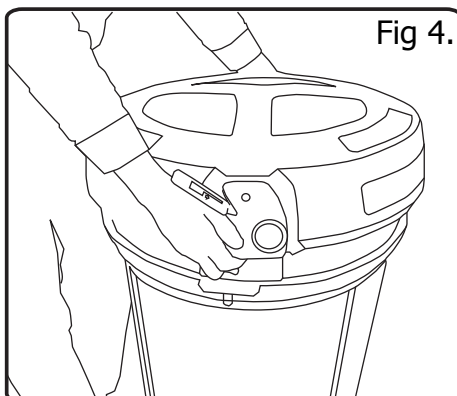


Fig 4.

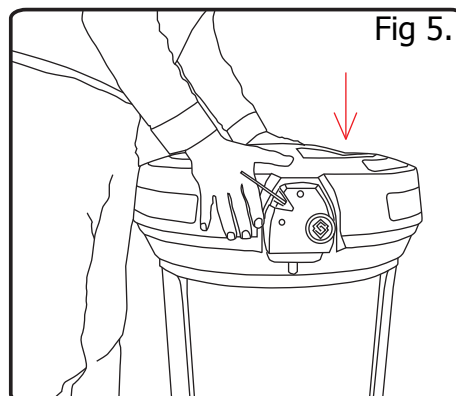


Fig 5.

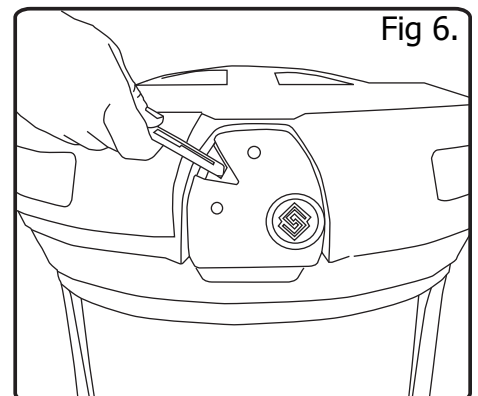
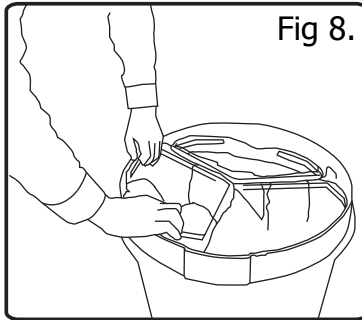
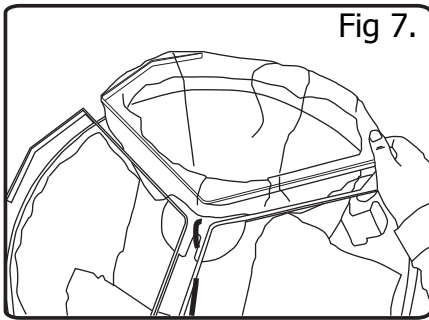


Fig 6.

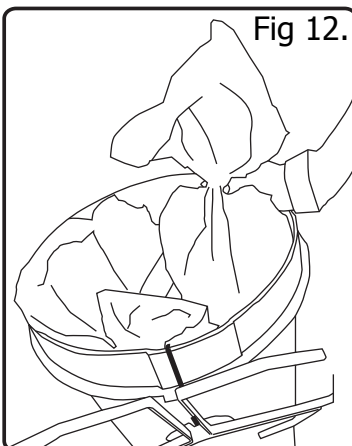
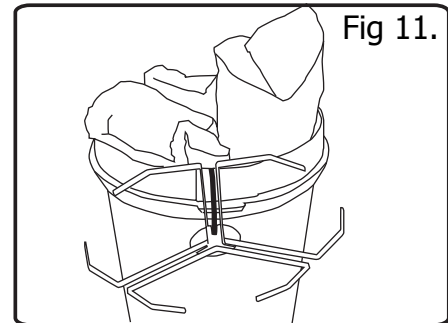
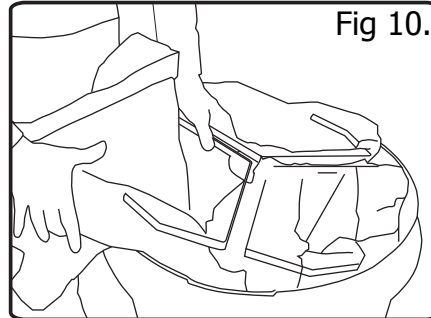
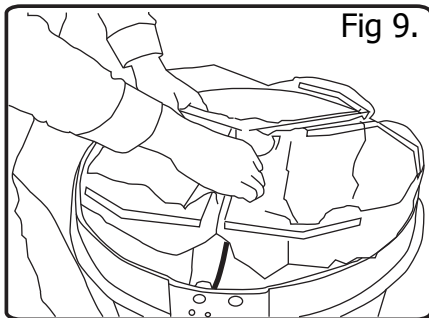
1. For the Nexus 130 model:
Ensure the lock is lined up with the top Glasdon logo on the bin (fig 4).
For the C-Thru model:
Ensure the lock is lined up with the lower lock
2. Place the lid on the bin and push down to secure in place (fig 5).
3. Remove the key from the lock (fig 6).

INSERTING THE SACKS:



1. Remove the sack retention and place in three new bags.
2. Hook the sacks onto the sack retention (Fig 7).
3. Put the sack retention back in place inside the bin, so that it is resting on the supports, making sure the bags are securely hooked over it (Fig 8).

REMOVING THE SACKS:



1. Lift up the sack retention band until the top of the sacks are outside the bin (Fig 9).
2. Unhook each band from the retention so that the sacks sit in the bin and the retention band is free (Fig 10).
3. Place the retention band at the side of the bin so that it is hanging by the connecting cord (Fig 11).
4. Pull out each bag individually and dispose of (Fig 12).

CLEANING AND MAINTENANCE:

CLEANING

We would recommend a warm pressure wash with soap or alternatively hand wash with 10% solution of mild detergent in warm water using a soft bristle brush followed by a rinse with clean water.

GRAFFITI

Felt tip pen or paint may be removed from Durapol™ using Glasdon Grafitix Graffiti wipes or other proprietary graffiti remover. Carefully follow the instructions, particularly the guidelines covering safety. Ensure that all traces of chemicals are removed then clean as detailed above. Please be aware that graffiti removers can damage signs and personalisation stickers etc. Protect these areas when using graffiti removers.

MAINTENANCE

A planned maintenance schedule of regular inspection is recommended and components replaced when necessary.



Glasdon NEXUS AND C-THRU ARE TRADEMARKS OF GLASDON GROUP AND ITS SUBSIDIARIES IN THE U.K. AND OTHER COUNTRIES.

Replacement components are available direct from GLASDON.
Glasdon U.K. Ltd reserves the right to alter specifications without prior notice.
GLASDON cannot be held responsible for claims arising from incorrect installation, unauthorised modifications or misuse of the product.

