

## Dog Waste Bin Installation Instructions PERMANENT WALL MOUNTING

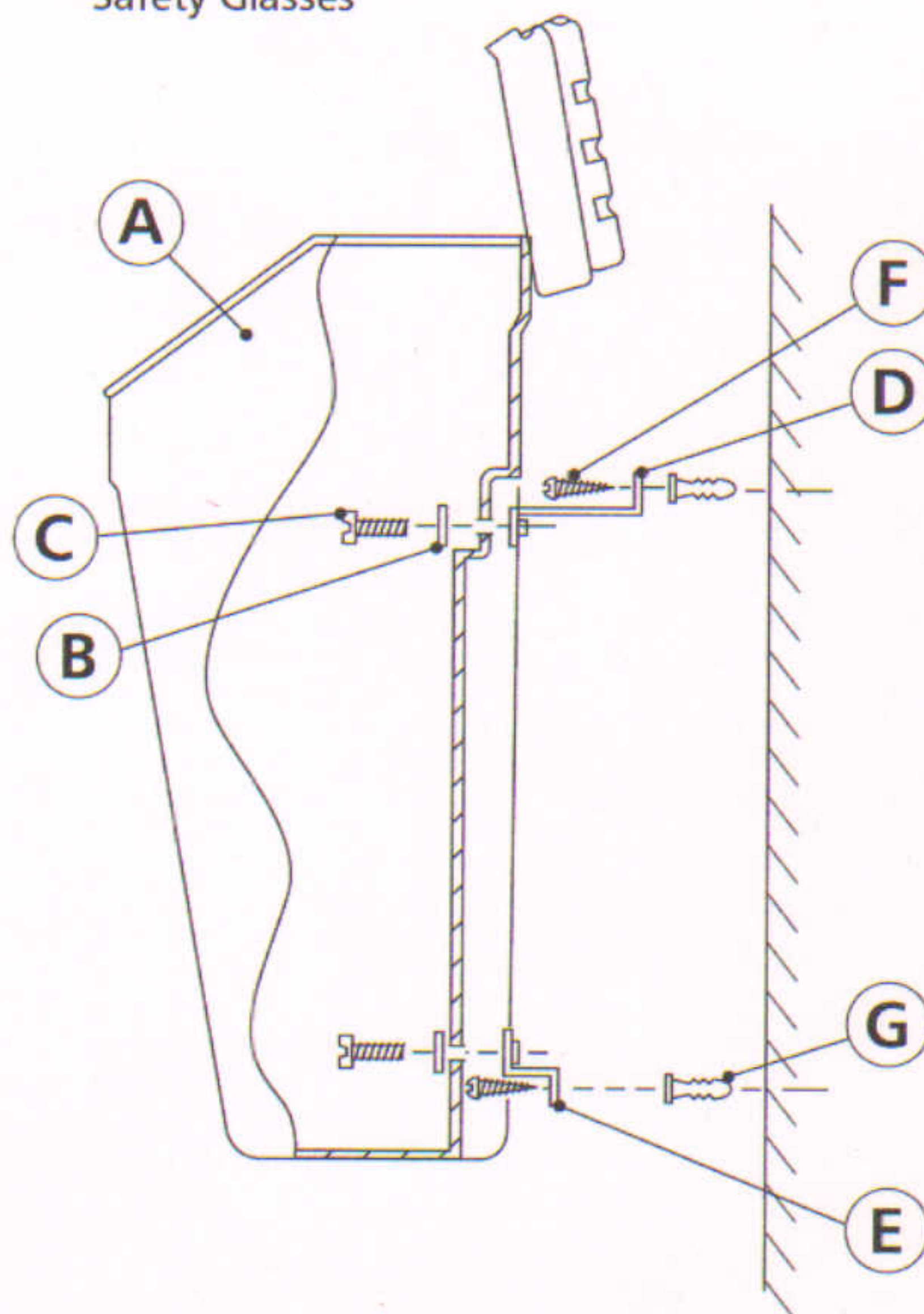
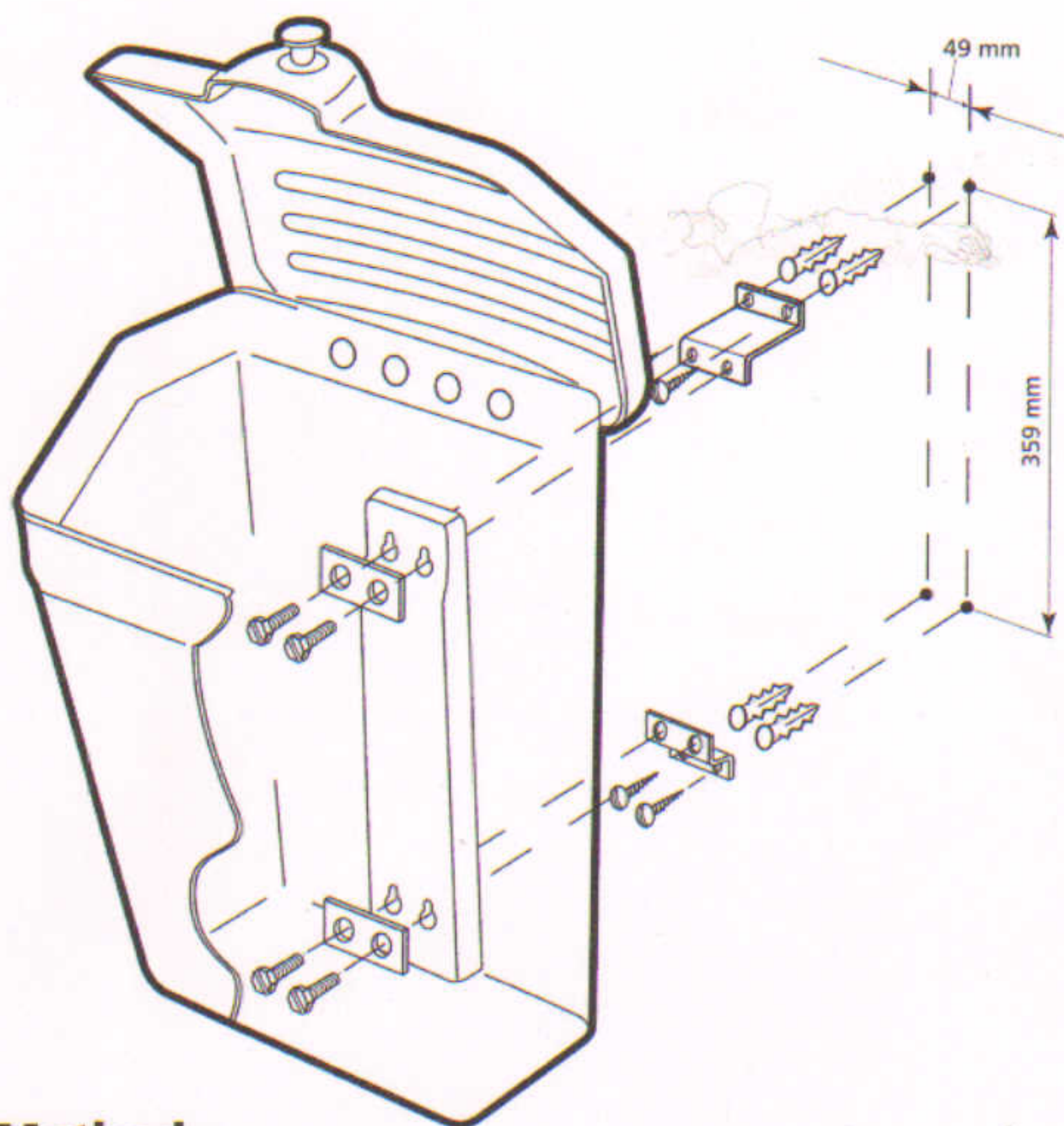
**IMPORTANT NOTE:- ENSURE THAT ALL RELEVANT PERSONNEL READ THE POINTS LISTED BELOW AND THAT A COPY IS PASSED ON TO STAFF INVOLVED WITH THE INSTALLATION**

### YOU SHOULD HAVE

- A - Bin Outer c/w Lid
- B - Washer Plates x 2
- C - Hex Head Slotted Screw x 4
- D - Top Bracket x 1
- E - Bottom Bracket x 1
- F - N° 12 Wall Screws x 4
- G - N° 12 Plastic Wall Plugs x 4


### EQUIPMENT NEEDED

- Installation Instructions
- Electric/Cordless Power Drill
- Masonry Drill Bit N° 14 (9.32")
- Screwdriver
- Hammer
- Marking Implement
- Safety Glasses



### Method

- 1 After deciding where to site the bin and at what height, use the top bracket (D) as a guide to mark the position of the two holes on the wall. Ensure the two holes are horizontal and the correct distance apart (as shown above in illustration).
- 2 Now mark the position of the two holes for the bottom bracket (E). Do this by measuring 359 mm vertically down from each of the top two holes.
- 3 When you are happy with the positioning of the holes, drill and plug the wall, ready to accept brackets and screw fixings.
- 4 Using the wall screws (F) fix the top and bottom brackets onto the wall.
- 5 Offer bin up to fixed wall brackets. Use the washer plates (B) and hex head screws (C), to fix the bin to the brackets from the inside of the bin.
- 6 Ensure all of the fixing assembly is tightly secured.

 **Glasdon®** AND FIDO 25™ ARE TRADEMARKS OR REGISTERED TRADEMARKS OF GLASDON GROUP OR ITS SUBSIDIARIES IN THE U.K. AND OTHER COUNTRIES

- A planned maintenance schedule of regular inspection is recommended, replacing components as necessary.
- Replacement components are available direct from GLASDON.
- GLASDON cannot be held responsible for claims arising from incorrect installation, unauthorised modifications or misuse of the product.



# Glasdon®

**Glasdon U.K. Limited**

Preston New Road  
BLACKPOOL  
Lancashire  
FY4 4UL

Tel: (01253) 600410  
Fax: (01253) 792558  
e-mail: sales@glasdon-uk.co.uk  
web: www.glasdon.com



## Dog Waste Bin Installation Instructions

### PERMANENT POST MOUNTING

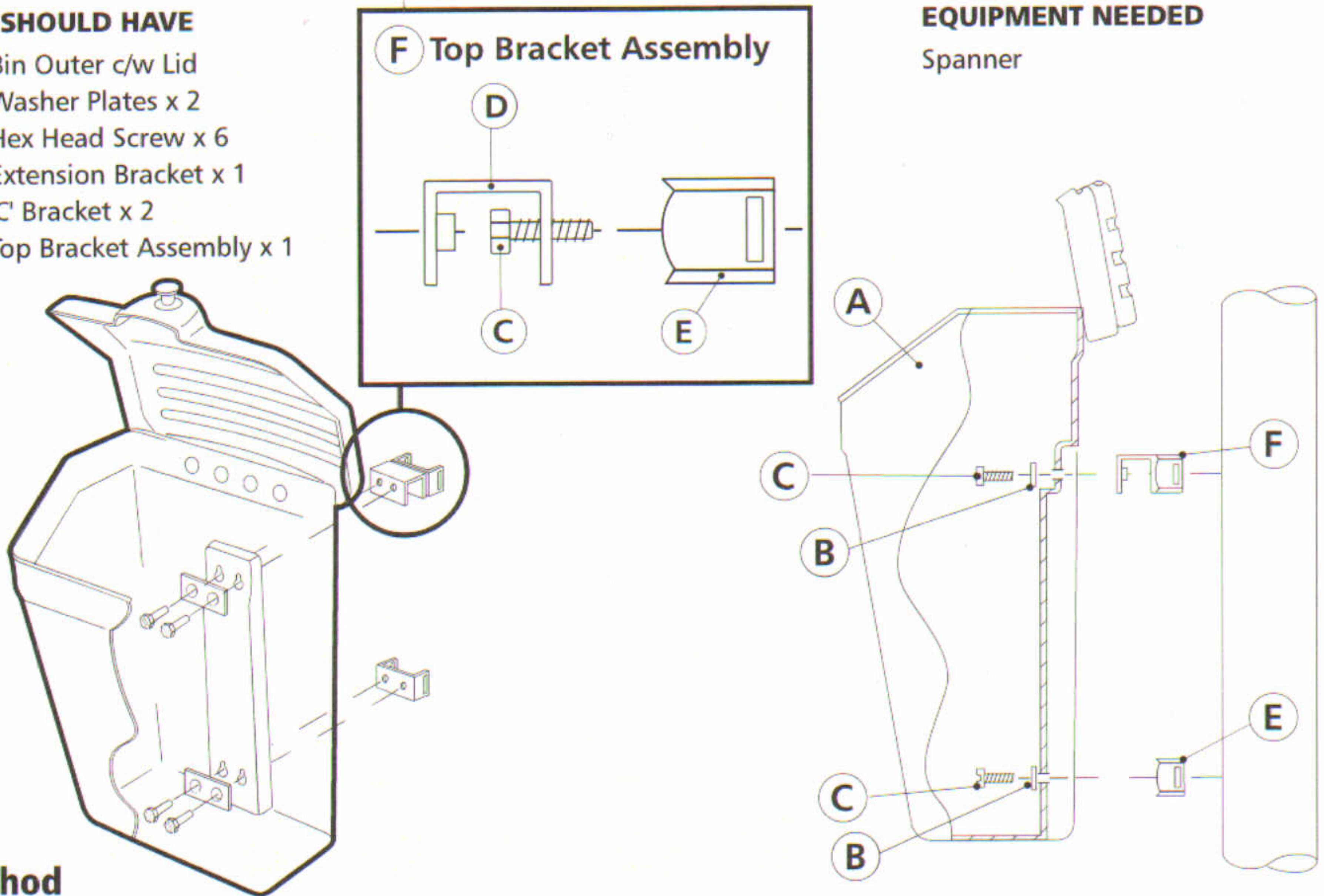
**IMPORTANT NOTE:- ENSURE THAT ALL RELEVANT PERSONNEL READ THE POINTS LISTED BELOW AND THAT A COPY IS PASSED ON TO STAFF INVOLVED WITH THE INSTALLATION**

#### YOU SHOULD HAVE

- A - Bin Outer c/w Lid
- B - Washer Plates x 2
- C - Hex Head Screw x 6
- D - Extension Bracket x 1
- E - 'C' Bracket x 2
- F - Top Bracket Assembly x 1

#### EQUIPMENT NEEDED

Spanner



#### Method

##### 1 UPPER MOUNTING

Construct the top bracket assembly as shown (F). Hold the assembly (F) against the back of the bin body, in line with the top pair of pre-drilled holes. Using the washer plate (B) and the two hex-head screws (C) fix the bracket assembly to the bin.

##### 2 LOWER MOUNTING

Repeat the fixing operation with second 'C' bracket (E), attach it to the bin through the lower pair of pre-drilled holes.

- ##### 3
- Fix around selected post using either TESPA banding or TAMTORQUE system through both 'C' brackets.

*Note: TESPA banding is not included with the kit, but is available from Glasdon UK as a separate kit.*

- A planned maintenance schedule of regular inspection is recommended, replacing components as necessary.
- Replacement components are available direct from GLASDON.
- GLASDON cannot be held responsible for claims arising from incorrect installation, unauthorised modifications or misuse of the product.



**Glasdon U.K. Limited**

Preston New Road  
BLACKPOOL  
Lancashire  
FY4 4UL

Tel: (01253) 600410  
Fax: (01253) 792558  
e-mail: sales@glasdon-uk.co.uk  
web: www.glasdon.com