



Fido 25™

Dog Waste Bin Installation Instructions GROUND LOCK AND POST FIXING SYSTEM

Important note: Ensure that all relevant personnel read the points listed below and that a copy is passed on to staff involved with the installation

YOU SHOULD HAVE

- 1x Fido 25 outer c/w lid (optional liner)
- 1x Metal post
- 1x Two hole washer plate
- 4x M8 x 20mm hex head screws
- 2x Penny washers 5/16 x 1/4"

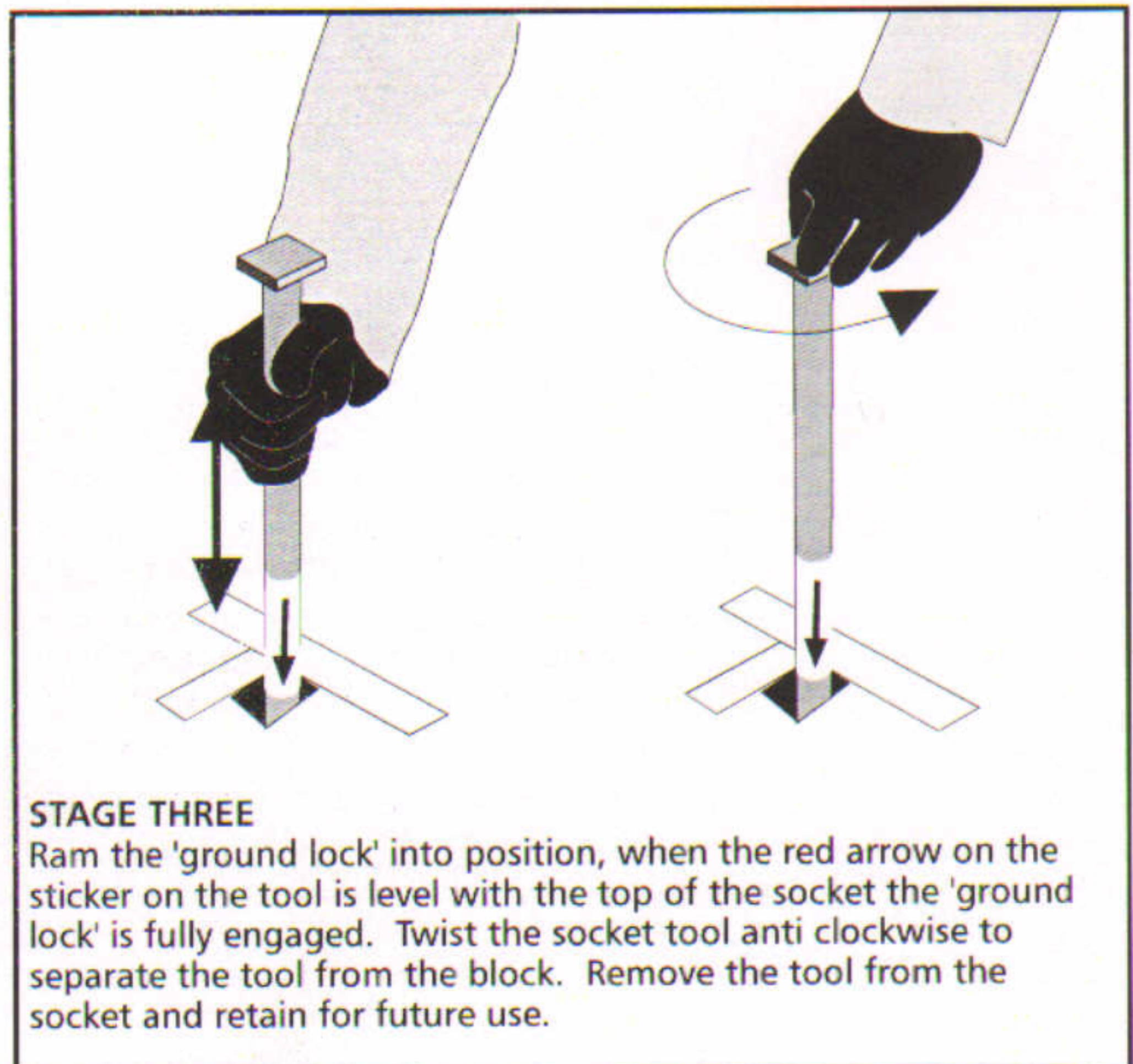
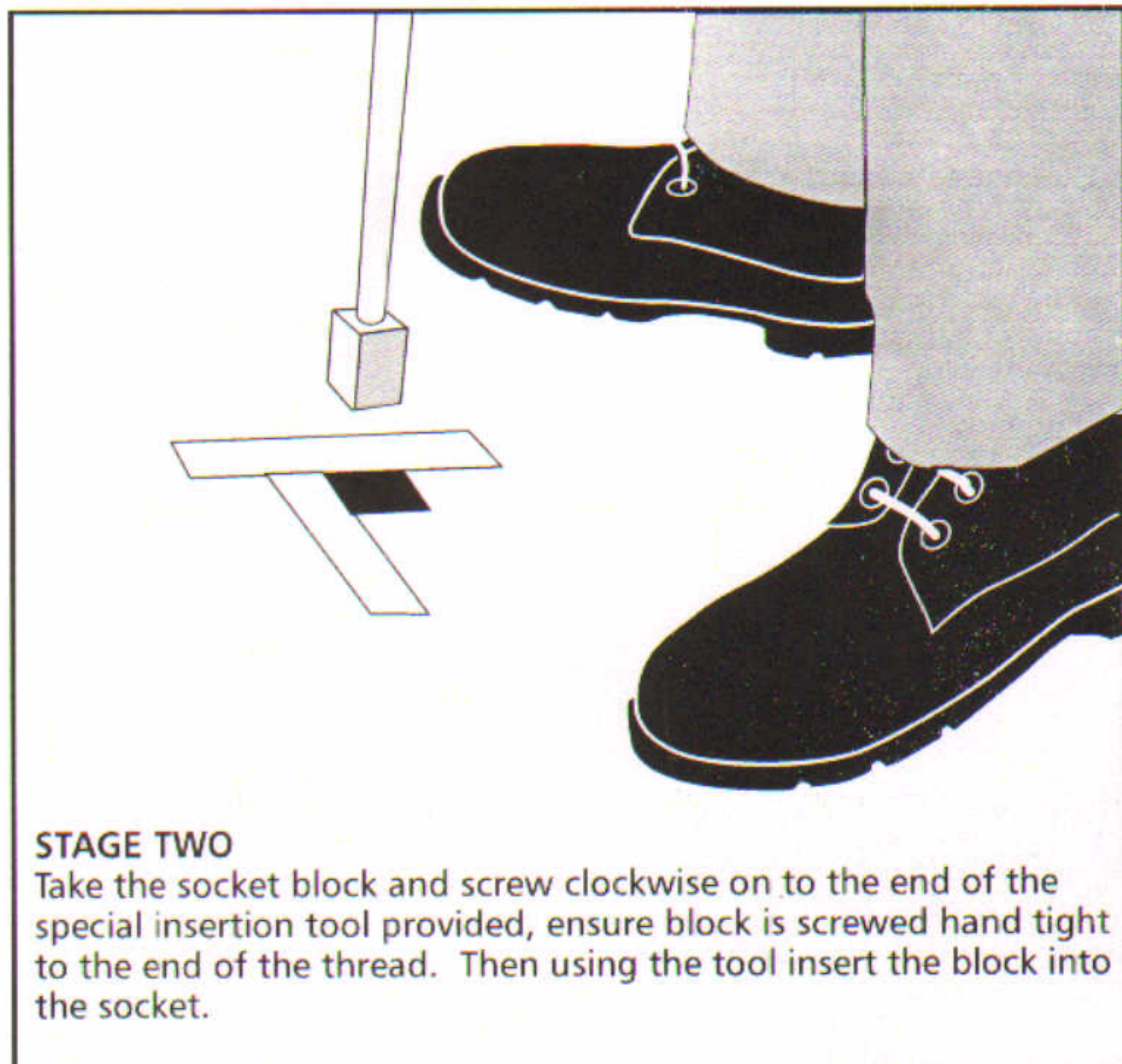
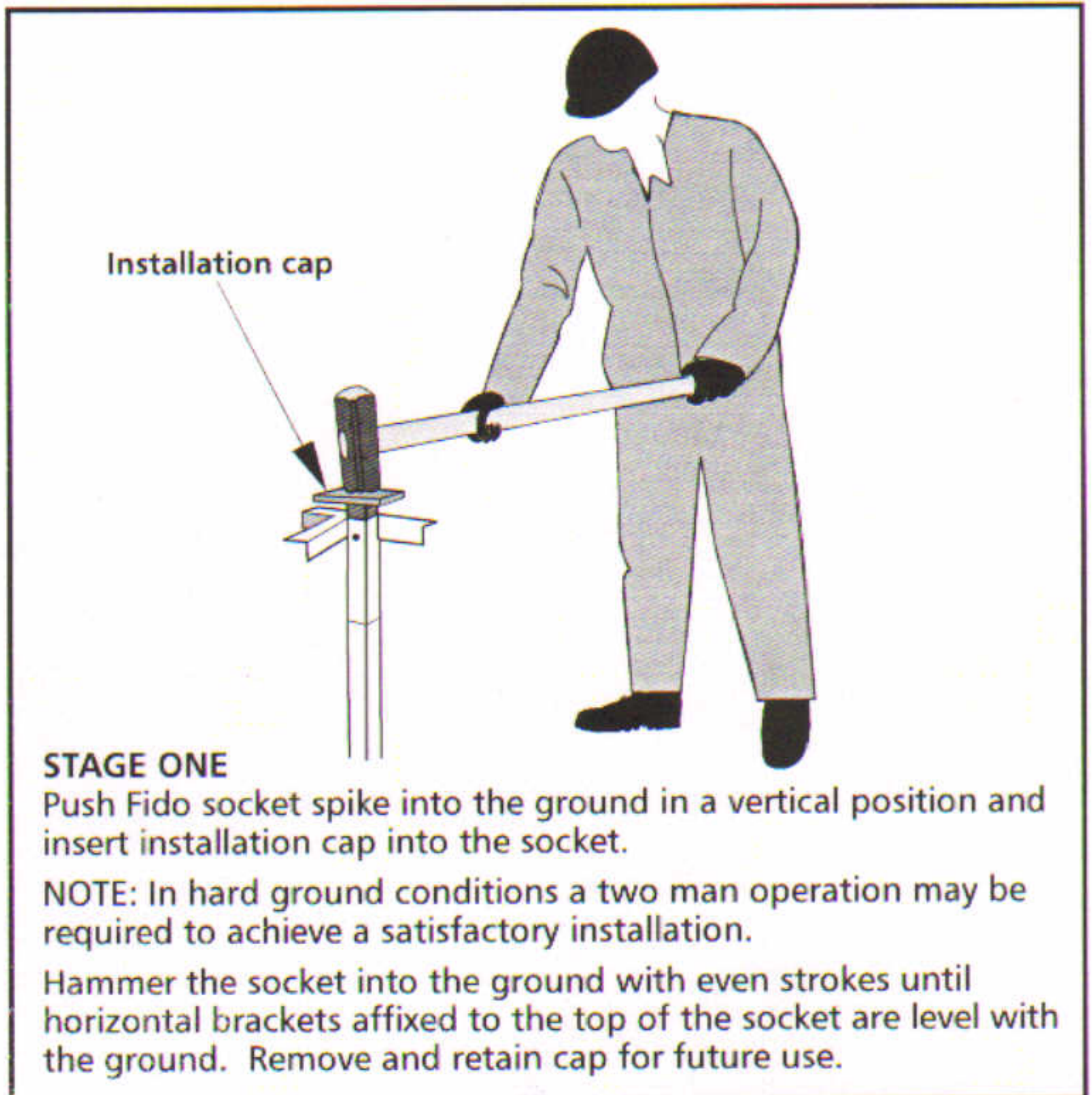
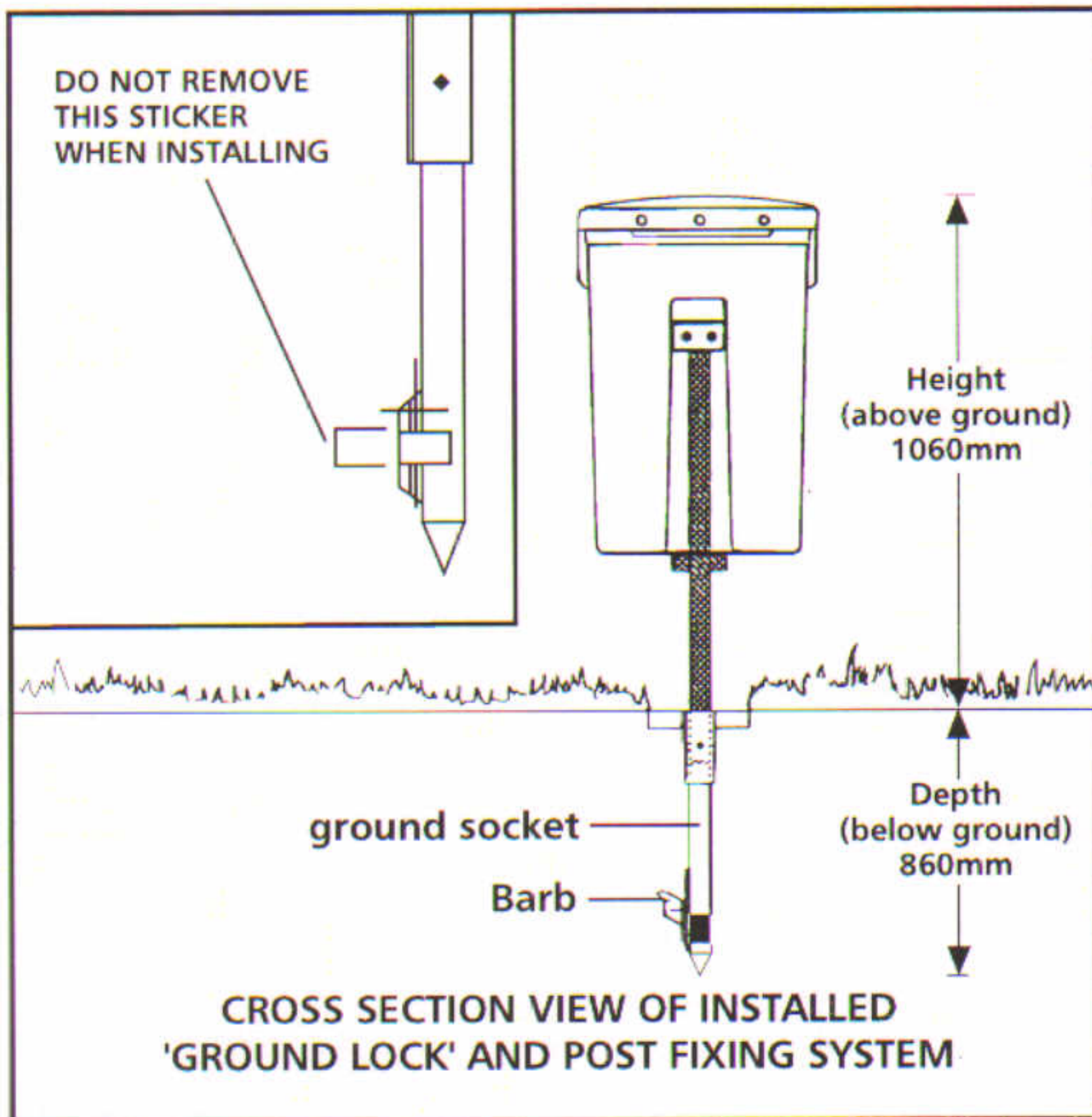
1x Ground-Lock socket system

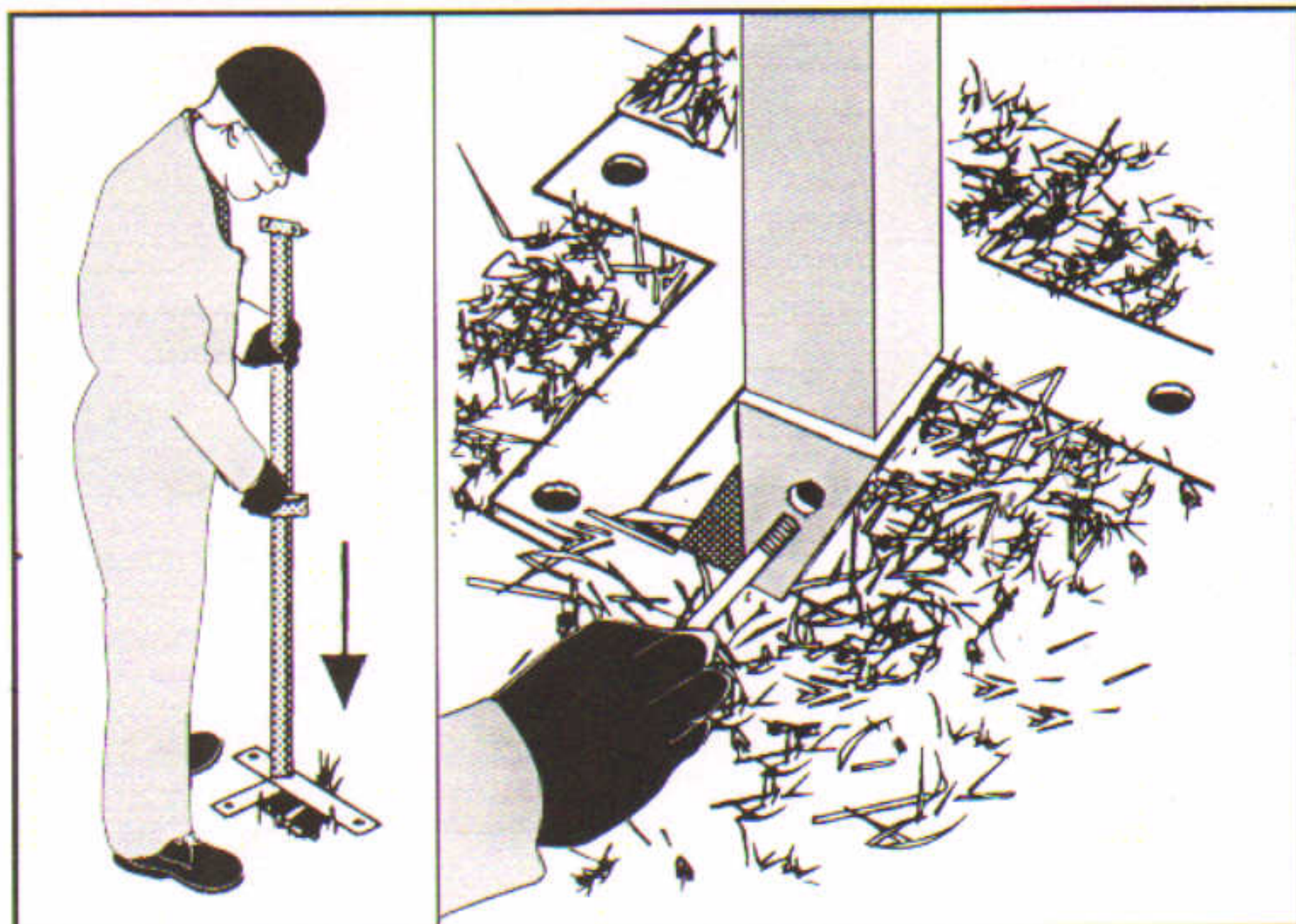
- 1x M10 Bolt
- 1x M10 washer
- 1x Installation cap (if requested)
- 1x Special insertion tool (if requested)
- 1x Socket block (if requested)

YOU WILL NEED

- 17mm spanner
- 13mm box spanner
- Sledge hammer
- Rigger gloves
- Safety boots

Important: When selecting a site for the Fido Bin ensure there are no buried services.





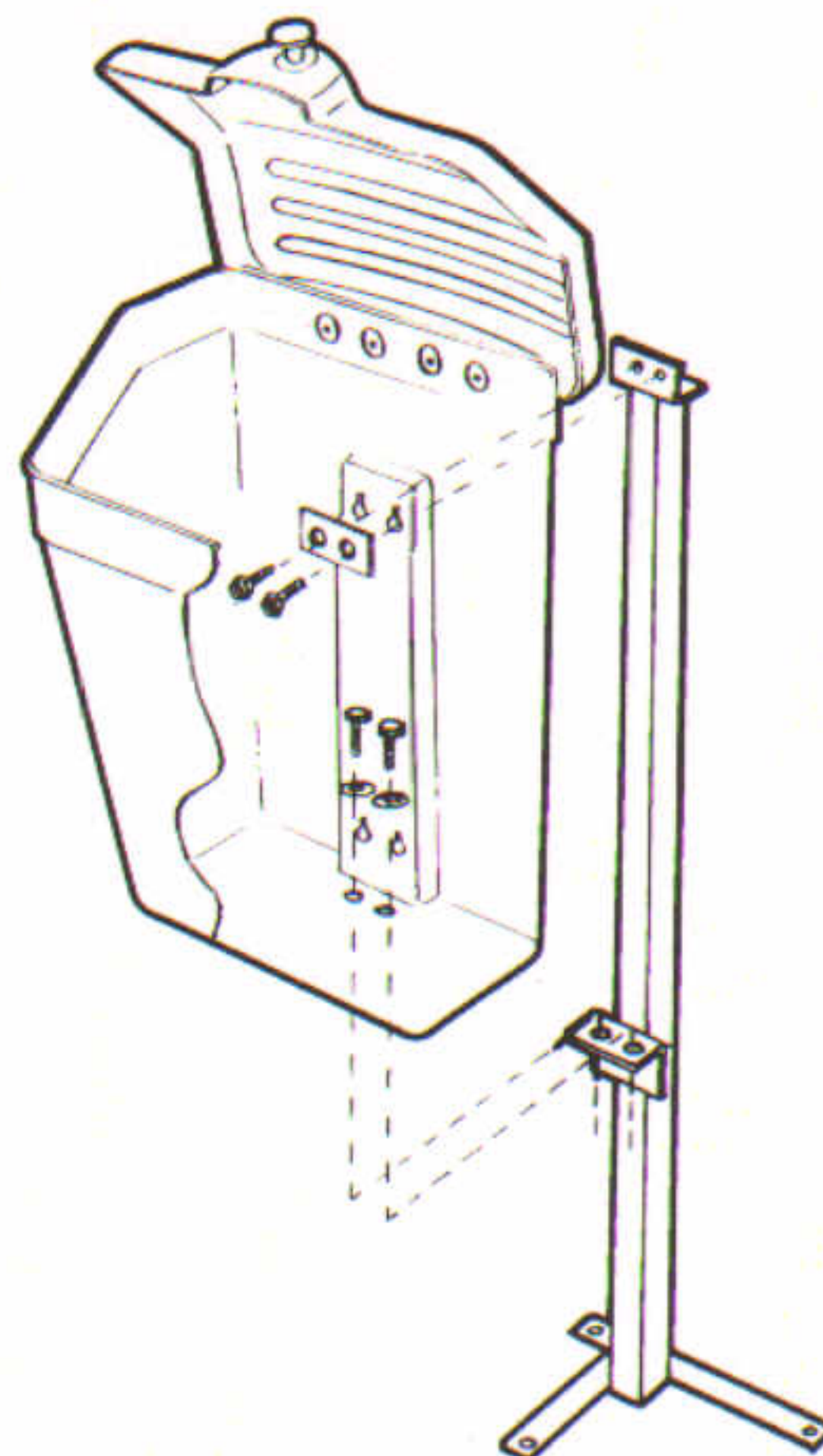
STAGE FOUR

Compact or remove earth locally around the post to expose fixing bolt holes.

Line the fixing holes up on the post and socket, and then insert the post, onto which the Fido bin is to be attached, into the socket to achieve the preferred bin orientation.

Insert the bolt provided and hand tighten the bolt into a captivated nut. Tighten the bolt with a ratchet spanner until the post is firmly in the socket.

Replace earth around the socket base to cover over the ground socket.



STAGE FIVE

When the post and socket is installed the Fido bin can be located onto post fixtures provided. Line up the holes and studs on the bin and post as indicated, and tighten the nuts provided until the Fido Bin is secure.

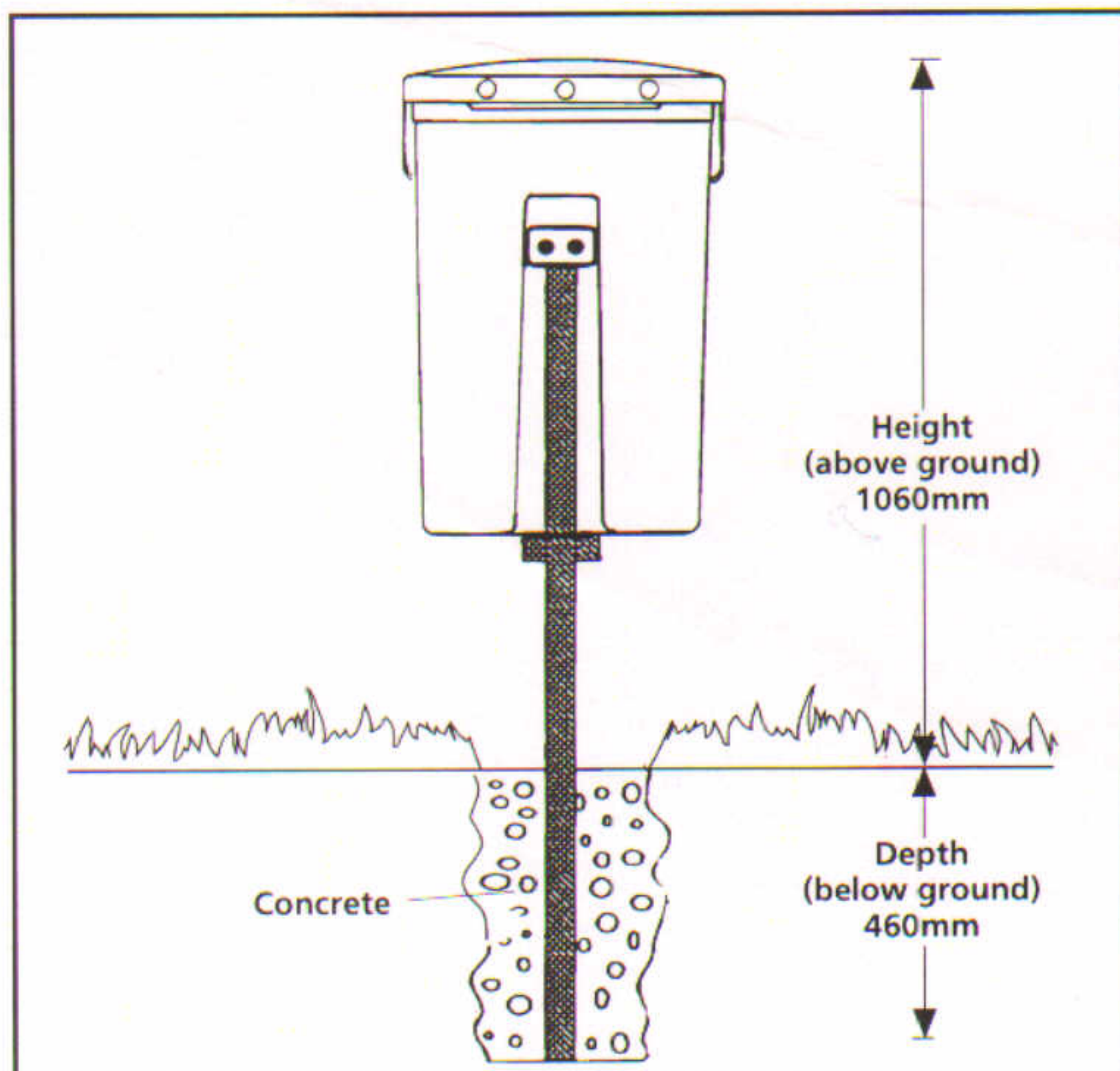
EXTENDED BASE POST

YOU SHOULD HAVE

- 1x Fido 25 outer c/w lid (optional liner)
- 1x Extended post
- 1x Two hole washer plate
- 4x M8 x 20mm hex head screws
- 2x Penny washers 5/16 x 1/4"

YOU WILL NEED

- Excavation equipment
- Concrete mix
- 13mm box spanner



STAGE ONE

Excavate the site in order to provide a post depth below ground of 460mm (approx 18").

STAGE TWO

Place post into the dug hole and fill to ground level with the appropriate well compacted concrete mix, allow the concrete to set and harden.

STAGE THREE

Line up the holes and studs on the bin and post as indicated previously in stage five and secure the Fido Bin in place.

- A planned maintenance schedule of regular inspection is recommended, replacing components as necessary.
- Replacement components are available direct from GLASDON.
- GLASDON cannot be held responsible for claims arising from incorrect installation, unauthorised modifications or misuse of the product.



Glasdon U.K. Limited

Preston New Road
BLACKPOOL
Lancashire
FY4 4UL

Tel: (01253) 600410
Fax: (01253) 792558
e-mail: sales@glasdon-uk.co.uk
web: www.glasdon.com