

Dog Waste Bin Installation Instructions LAMP COLUMN ADAPTER KIT

IMPORTANT NOTE:- ENSURE THAT ALL RELEVANT PERSONNEL READ THE POINTS LISTED BELOW AND THAT A COPY IS PASSED ON TO STAFF INVOLVED WITH THE INSTALLATION

Parts List

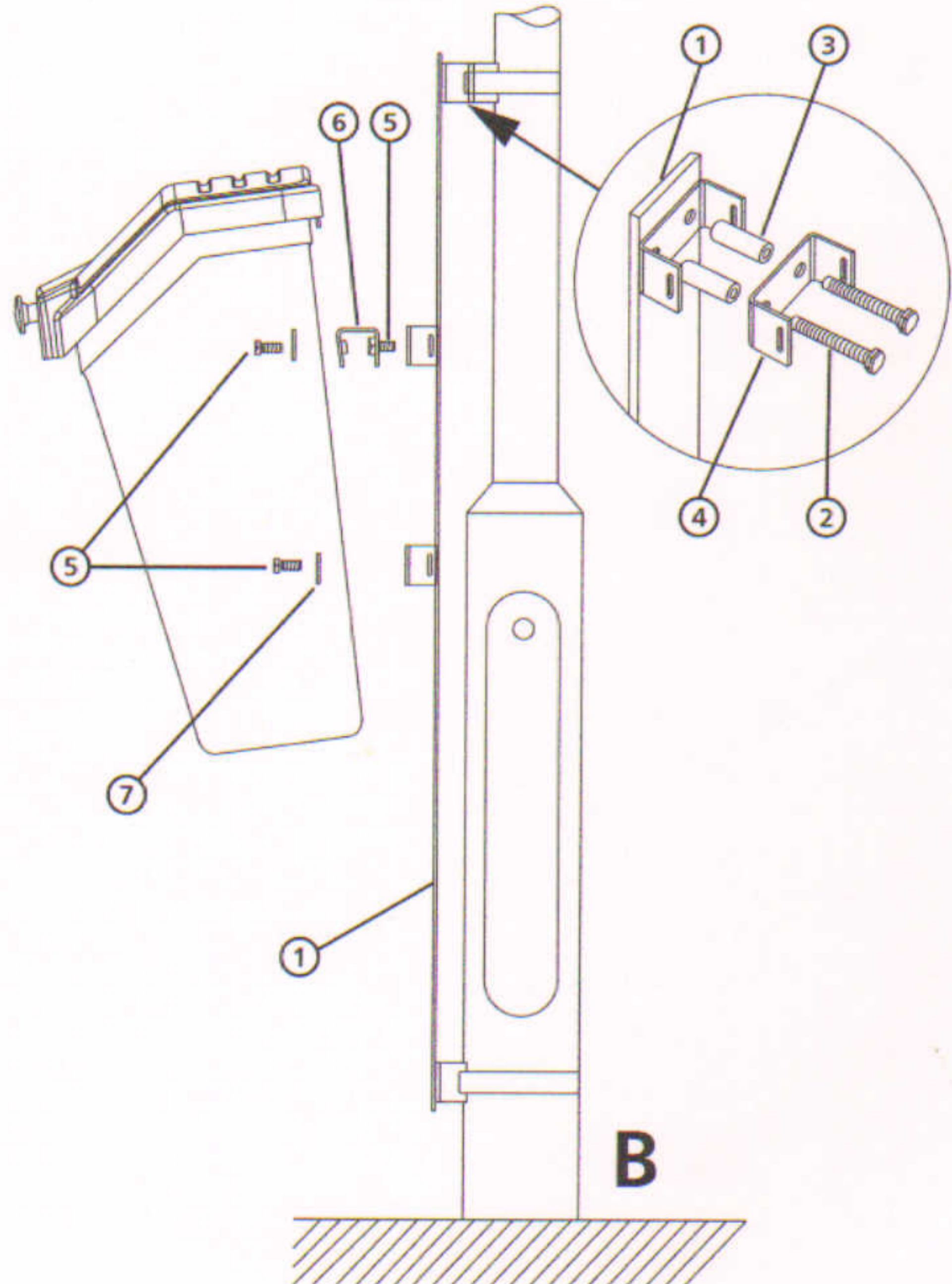
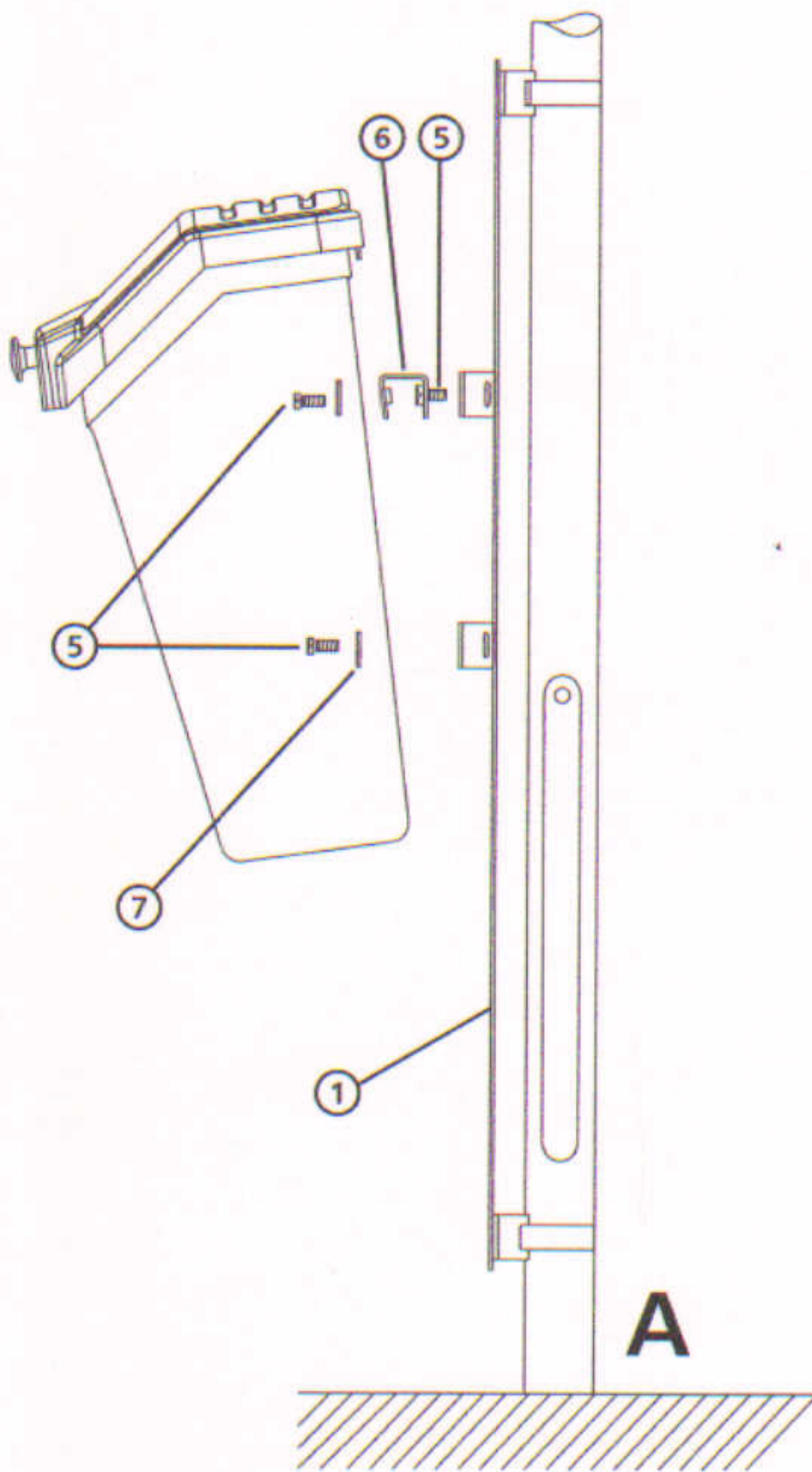
1. Lamp Column Adapter Bracket	x1
2. Bolt M8x30mm	x2 (Version B only)
3. Metal Spacer	x2 (Version B only)
4. Bridging 'C' Bracket	x1 (Version B only)
5. Bolt M8x20mm	x6
6. Top Extension Bracket	x1
7. Two hole Washer Plates	x2

Equipment Needed for Installation (Not Included)

- Spanner (13mm)
- Screwdriver
- Note: Tespa or Tamtorque Banding are not included with the kit, but are available from Glasdon UK Ltd. as separate Kits.

Assembly Instructions

1. For lamp columns of differing profiles (B) use the bridging 'C' bracket (4) to extend the upper mounting. Fix using two hex head machine screw bolts (2), complete with spacer (3) into the pre-drilled attachment. The lamp column bracket may then be affixed to the post using the banding choice, ensuring inspection covers etc. remain accessible.
2. Using top extension bracket (6) assemble onto the lamp column bracket using bolts (5).
3. Offer the bin up to the brackets and with the lid open align both sets of holes up with the top extension bracket (6) and fix using two hole washer plates (7) and bolts (5). Repeat operation for the lower fixing points, ensuring all fixings are fully secured.



 **Glasdon®** AND FIDO 25™ ARE TRADEMARKS OR REGISTERED TRADEMARKS OF GLASDON GROUP OR ITS SUBSIDIARIES IN THE U.K. AND OTHER COUNTRIES

- A planned maintenance schedule of regular inspection is recommended, replacing components as necessary.
- Replacement components are available direct from GLASDON.
- GLASDON cannot be held responsible for claims arising from incorrect installation, unauthorised modifications or misuse of the product.

Issue 2 May 2005 Stock no. C000/0242

© Copyright May 2005. Glasdon reserve the right to alter specification without prior notice.



Glasdon®

Glasdon U.K. Limited

Preston New Road
BLACKPOOL
Lancashire
FY4 4UL

Tel: (01253) 600410

Fax: (01253) 792558

e-mail: sales@glasdon-uk.co.uk

web:www.glasdon.com