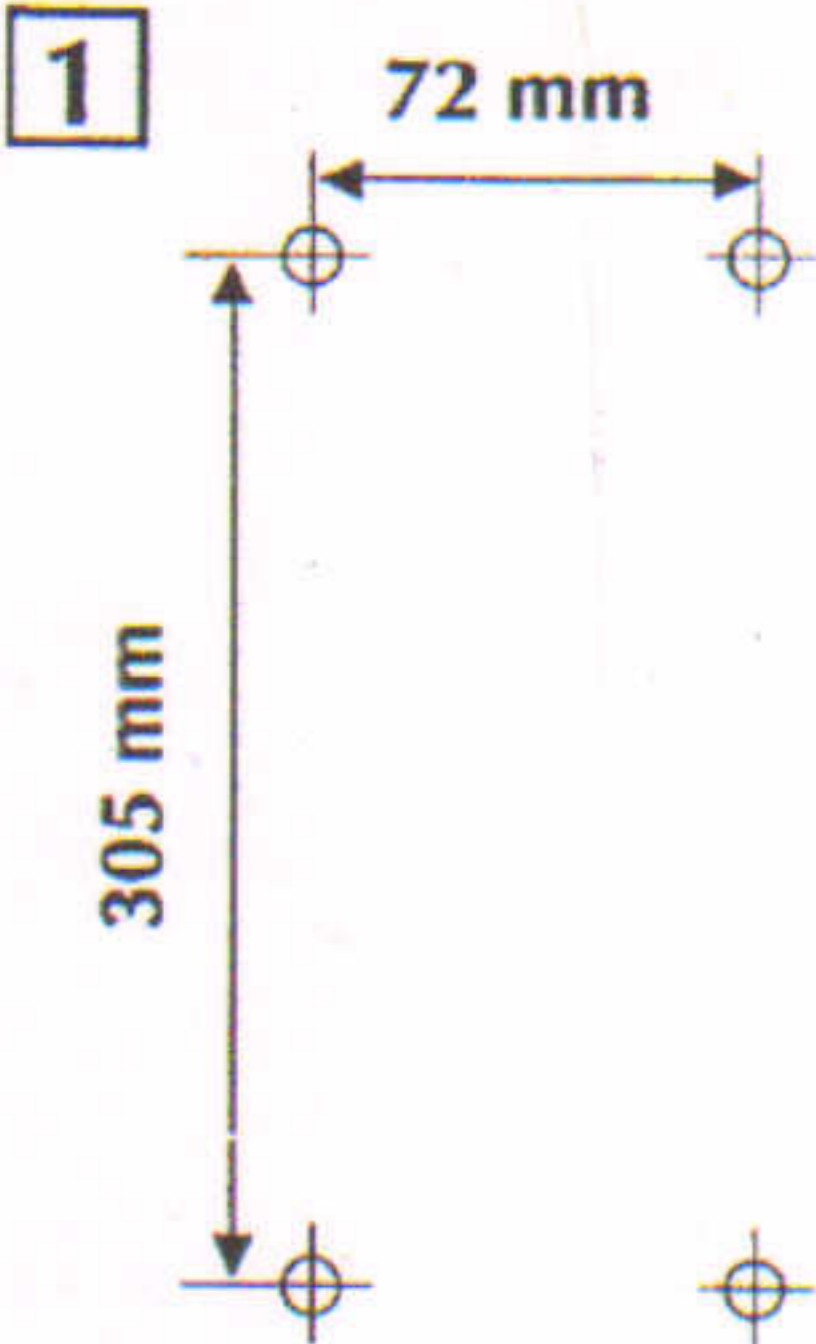


IMPORTANT NOTE: ENSURE THAT ALL RELEVANT PERSONNEL READ THE POINTS LISTED BELOW AND THAT A COPY IS PASSED TO STAFF INVOLVED WITH THE ASSEMBLY.

Wall Mounting

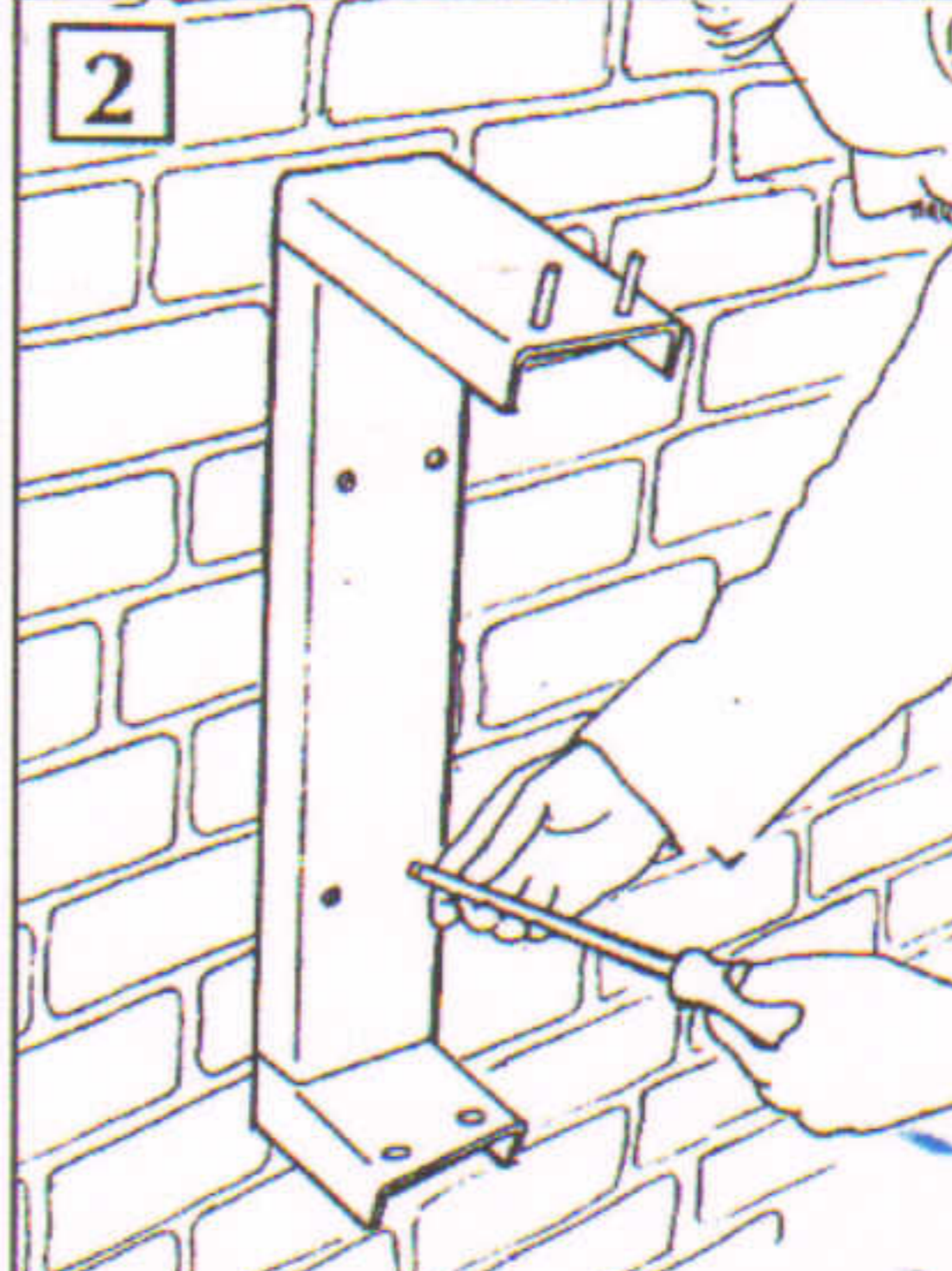
Fixing Instructions

1



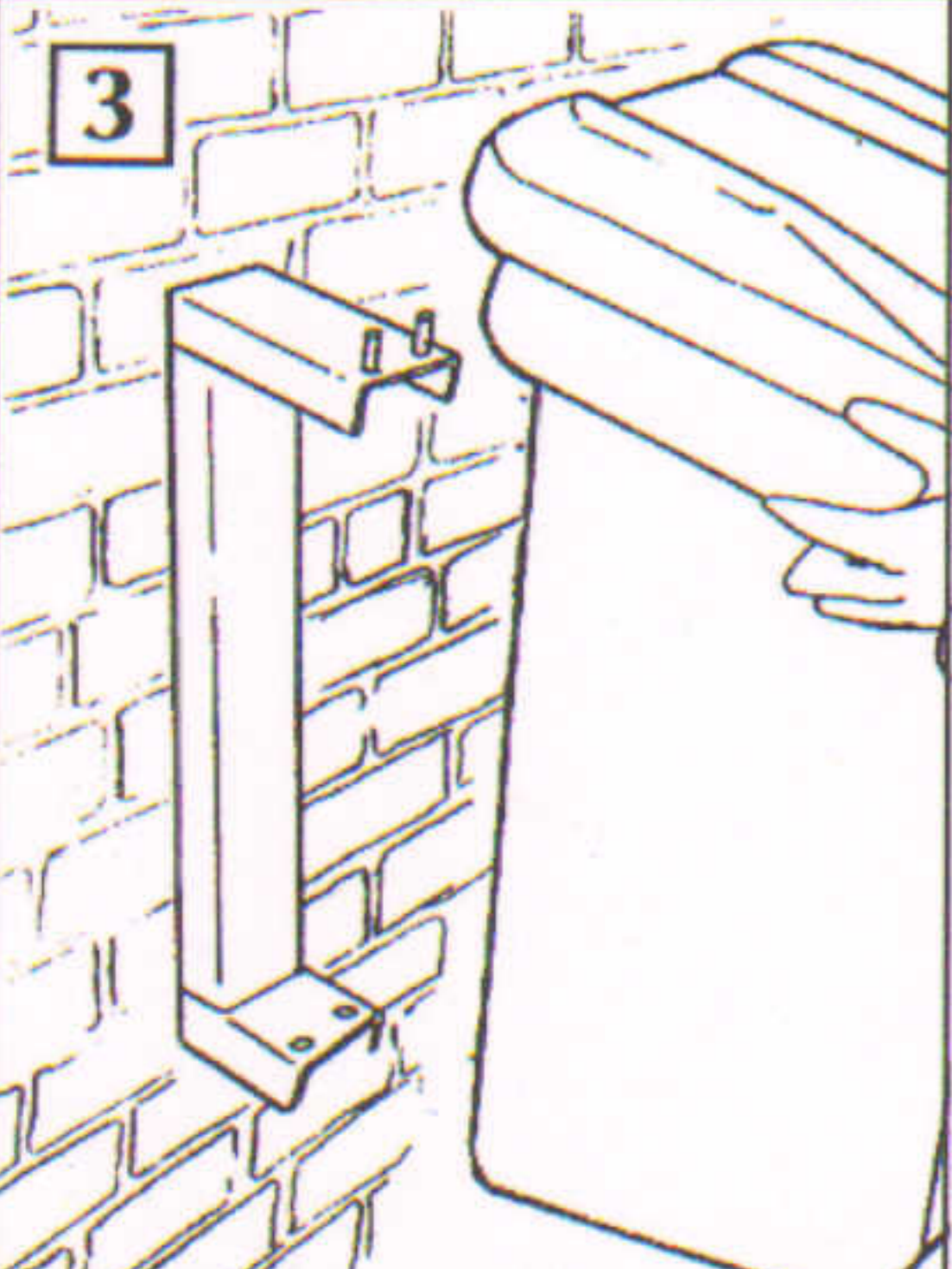
Select a suitable wall onto which to mount the Retriever Bin. Mark the position of the 4 holes through the bracket.

2



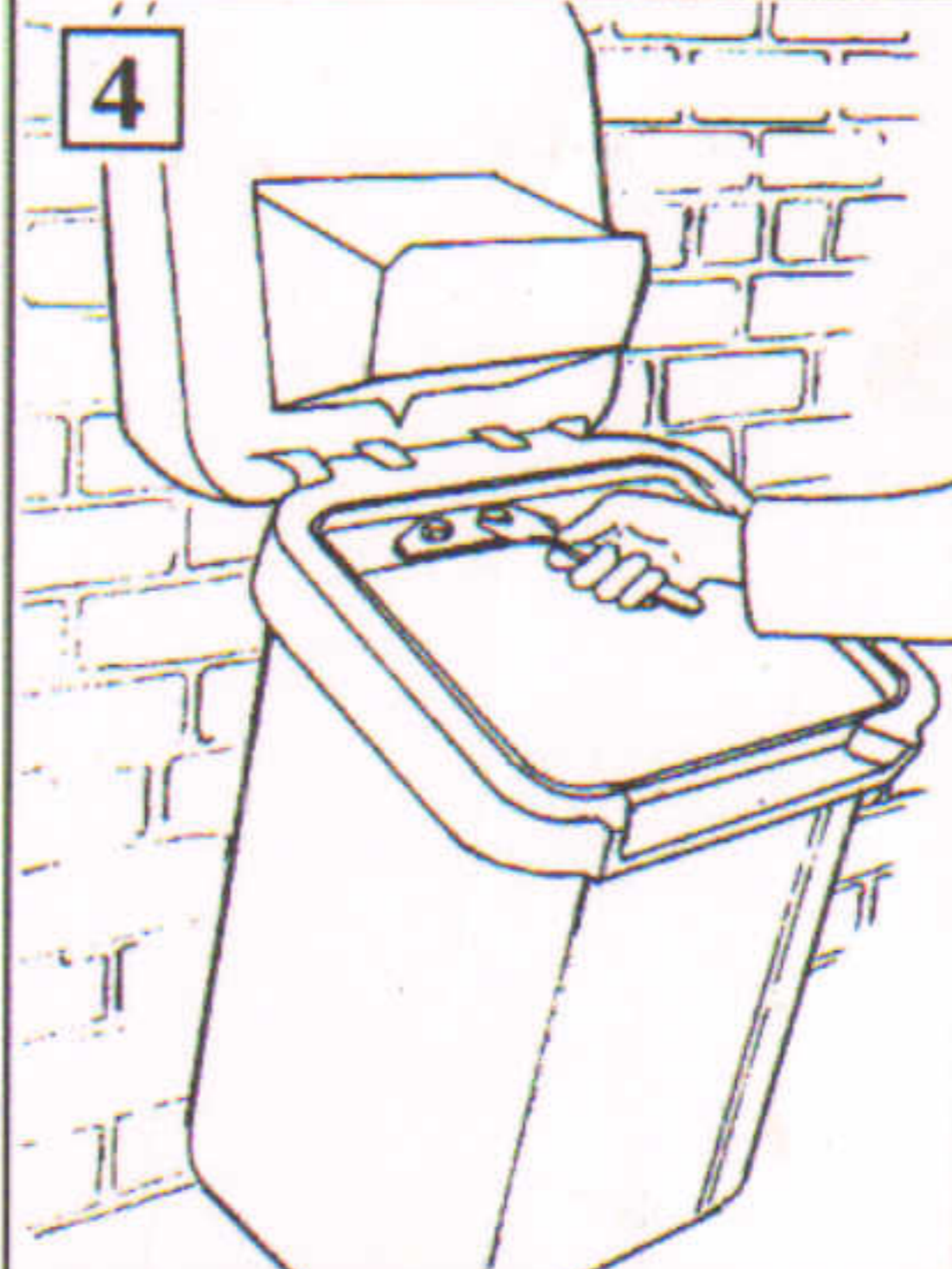
Drill the wall using masonry drill bit No 14 (9/32") and plug with the wall plugs provided. Screw the bracket to the wall using 4 off 2 1/2" long No 12 screws provided.

3




Locate the Retriever Bin on the wall mounting bracket by lining up the studs and holes of the bin with the corresponding holes and studs of the wall mounting bracket.

4



Open the lid and expose the protruding bolt studs at the back of the bin. Place the washer plate over the protruding bolt studs and secure the Retriever Bin with the nuts provided.

 **Glasdon**® AND RETRIEVER™ ARE TRADEMARKS OR REGISTERED TRADEMARKS OF GLASDON GROUP OR ITS SUBSIDIARIES IN THE U.K. AND OTHER COUNTRIES

- A planned maintenance schedule of regular inspection is recommended, replacing components as necessary.
- Replacement components are available direct from GLASDON.
- GLASDON cannot be held responsible for claims arising from incorrect installation, unauthorised modifications or misuse of the product.



Glasdon®

Glasdon U.K. Limited

Preston New Road
BLACKPOOL
Lancashire
FY4 4UL

Tel: (01253) 600410

Fax: (01253) 792558

e-mail: sales@glasdon-uk.co.uk

web: www.glasdon.com