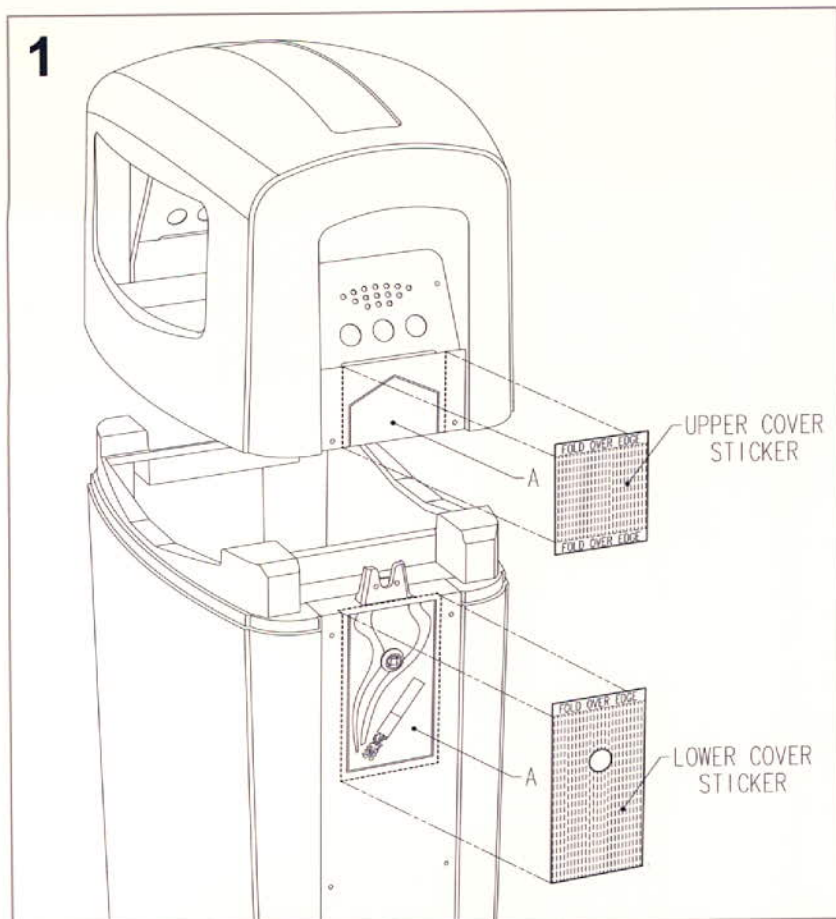


# INTEGRO BIN

## RETRO-FIT COVER KIT FOR ASH GRILLES



### KIT CONTENTS:

2x Stainless Steel Cover Plate  
 2x Upper Cover Sticker – aluminium colour  
 2x Lower Cover Sticker – aluminium colour  
 4x M5 Nyloc Nut – Stainless Steel  
 4x M5 Washer – Stainless Steel

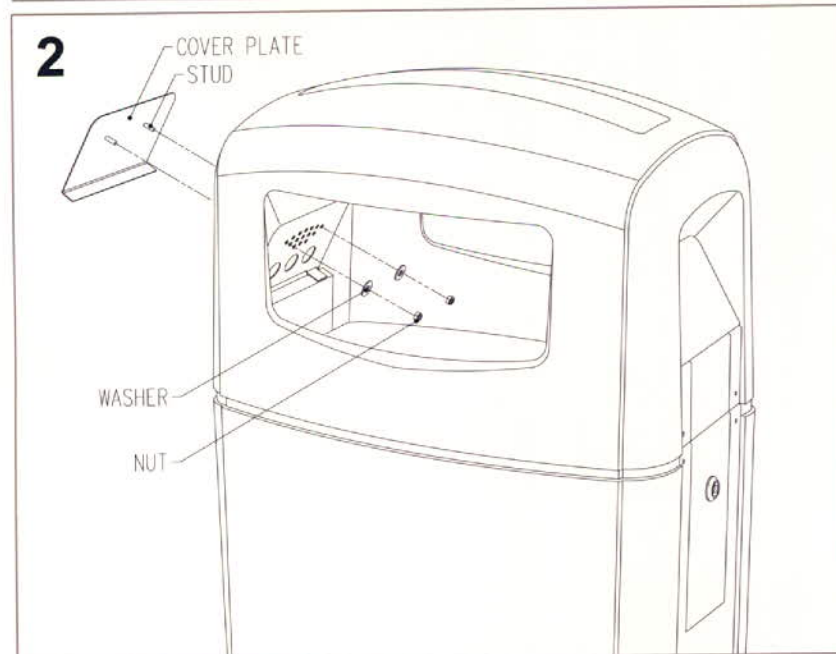
### INSTALLATION INSTRUCTIONS:

Follow the illustrations (left).

#### STEP 1:

Prior to applying the Cover Stickers, remove the bin top, then wipe clean and de-grease the panels to be covered (both marked 'A').

Ensure the cover stickers are applied centrally as shown, with the 'brushed' colour effect running vertical to the floor. The hole in the Lower Cover Sticker must locate evenly around the lock feature (one side only).



#### STEP 2:

Remove the two Ash Liners from the inside of the bin. Position the two Cover Plates over the Ash Grilles on the sides of the bin making sure all the Studs pass through the holes in the ash grilles. Secure the Cover Plates with a washer followed by a nut onto each stud (two each side).

Do **not** over-tighten the Nuts as this could distort the front face of the cover Plate.



IS A TRADEMARK OF GLASDON GROUP AND ITS SUBSIDIARIES IN THE UK AND OTHER COUNTRIES

GLASDON cannot be held responsible for claims arising from incorrect installation, unauthorised modifications or misuse of the product of the product

Issue 1 - Stock Code C000/0326

© Copyright 2007

Glasdon UK reserve the right to alter specification without prior notice



**Glasdon**  
 Glasdon U.K. Limited

Glasdon U.K. Limited  
 Preston New Road  
 BLACKPOOL  
 Lancashire FY4 4UL  
 Tel: 01253 600 410  
 Fax: 01253 792 558  
 e-mail: sales@glasdon-uk.co.uk  
 web: www.glasdon.com