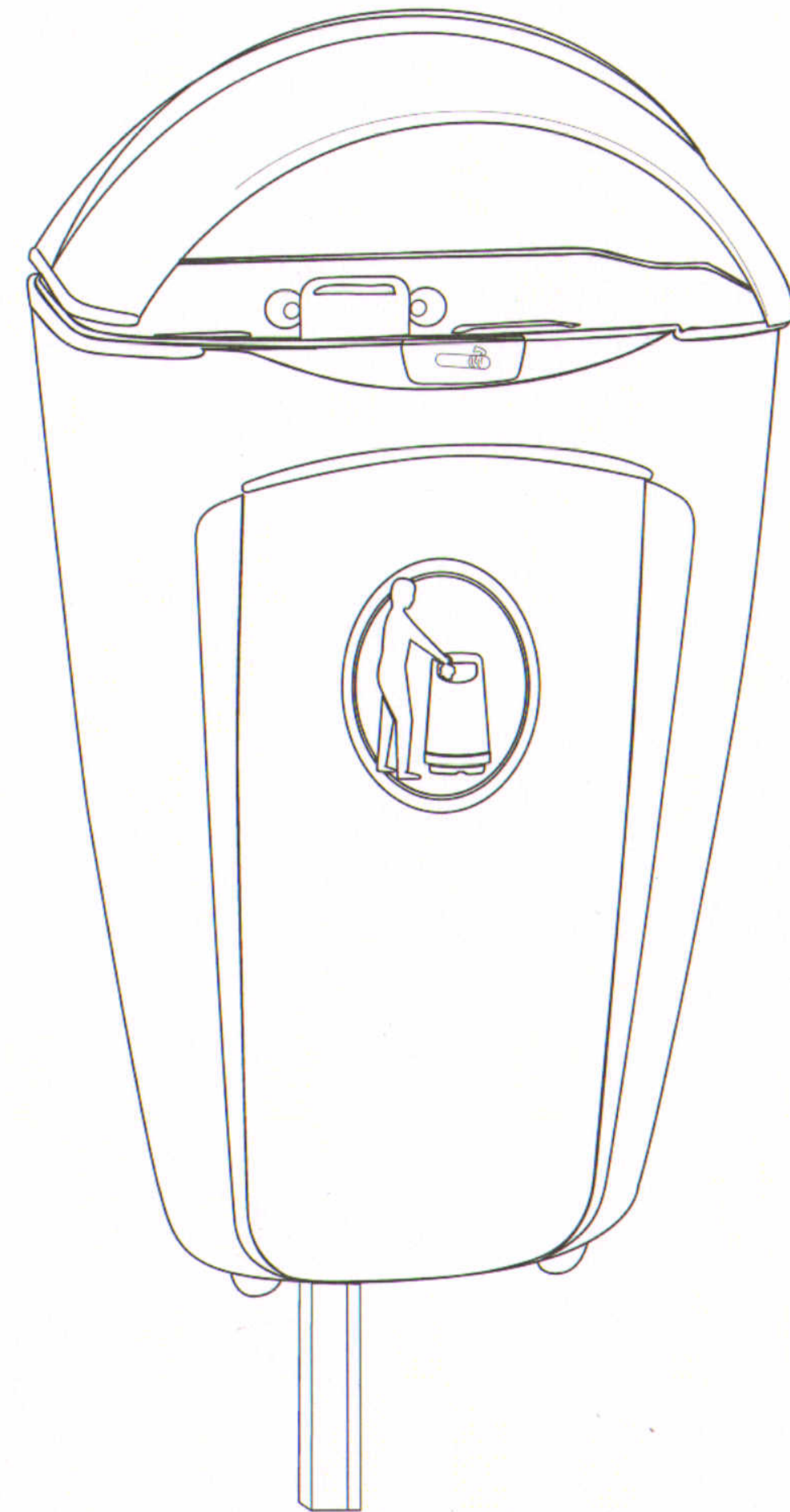


# SUPER TRIMLINE 50™

Range



■ A planned maintenance schedule of regular inspection is recommended, replacing components as necessary.


■ Replacement components are available direct from GLASDON.

■ GLASDON cannot be held responsible for claims arising from incorrect installation, unauthorised modifications or misuse of the product.

Issue 4 DEC 2011 Stock no. C000/0232

© Copyright NOV 2011

Glasdon reserve the right to alter specification without prior notice.

 **Glasdon** AND SUPER TRIMLINE™ ARE TRADEMARKS OR REGISTERED TRADEMARKS OF GLASDON GROUP OR ITS SUBSIDIARIES IN THE U.K. AND OTHER COUNTRIES



**Glasdon U.K. Limited**  
Preston New Road  
BLACKPOOL  
Lancashire FY4 4UL

Tel: 01253 600410

Fax: 01253 792558

e-mail: sales@glasdon-uk.co.uk

web: www.glasdon.com





# Super Trimline 50™ WALL MOUNTING KIT FITTING INSTRUCTIONS

**IMPORTANT NOTE:- OPERATORS MUST WEAR APPROPRIATE SAFETY GLOVES WHEN INSTALLING AND HANDLING THIS PRODUCT.**

**IMPORTANT NOTE:- ENSURE THAT ALL RELEVANT PERSONNEL READ THE POINTS LISTED BELOW AND THAT A COPY IS PASSED ON TO STAFF INVOLVED WITH THE INSTALLATION.**

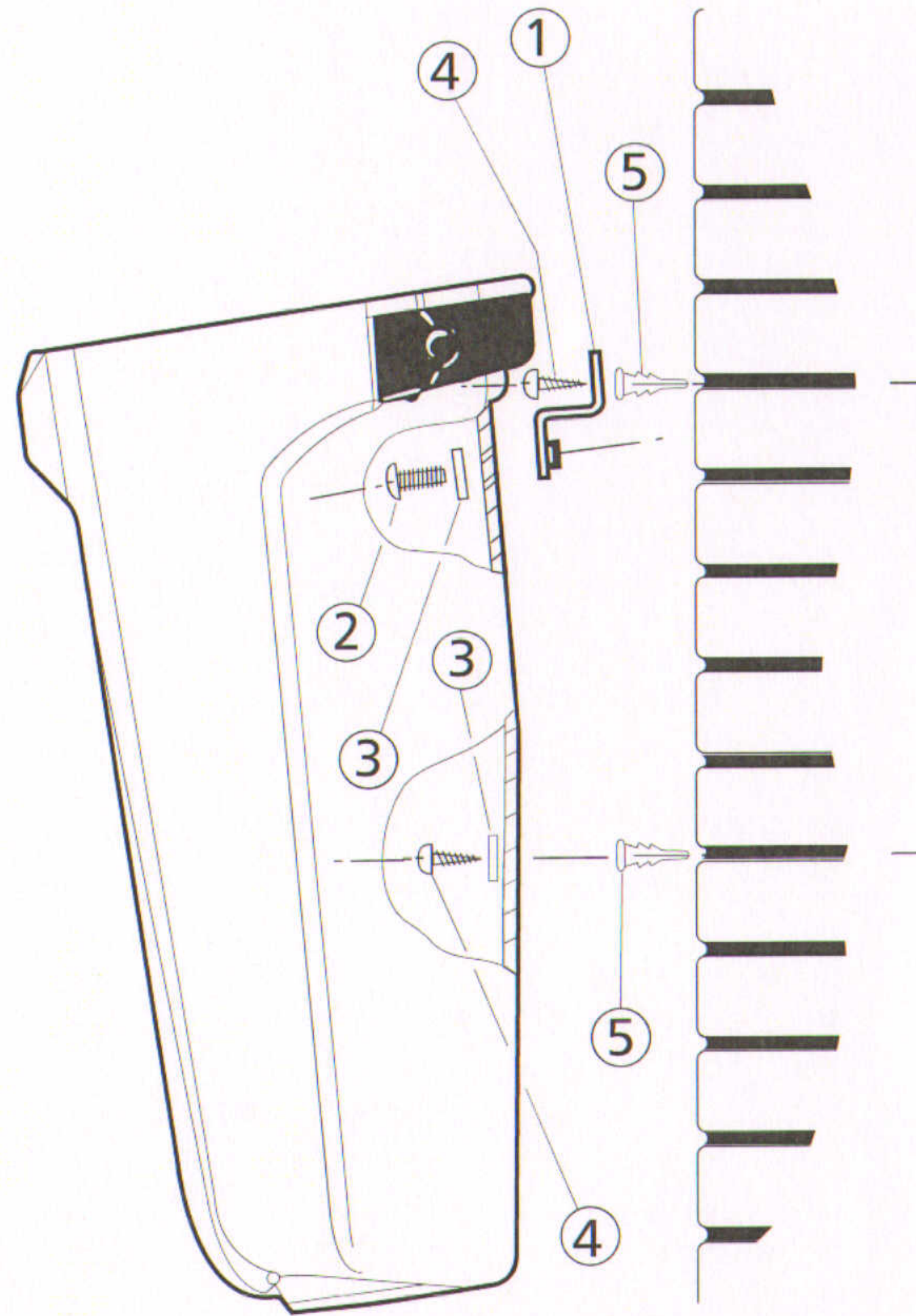
PARTS LIST :- Wall	No.
1. 'Z' bracket _____	x1
2. Screw M8 x 25mm _____	x2
3. Washer M8 x 25 Diameter _____	x4
4. Wall screw No.12 x 2.5mm _____	x4
5. Wall plug No.12 x 45mm _____	x4

### EQUIPMENT NEEDED FOR INSTALLATION (Not included)

- Safety glasses.
- Electric or cordless drill with 8mm. masonry drill bit.
- Flat head screwdriver.
- Marker pen / Pencil.
- Small Hammer.

### ASSEMBLY INSTRUCTIONS:- Wall

1. Decide at what approximate height the bin is to be mounted onto the wall in relation to the rear top 'Z' bracket (1) mount point.
2. Offer the 'Z' bracket (1) up to the wall and mark two drilling positioning holes horizontally through the metal bracket onto the wall surface.
3. Using a masonry drill bit (8mm) drill two holes to accommodate wall plug (5) depth.
4. Insert wall plugs then using wall screws (4), fasten bracket securely to the wall.
5. Position the bin onto the 'Z' bracket (1), align up the bin with the holes and fix from the inside using screws (2), include two washers (3). NOTE:- Do not over tighten screws at this point.
6. Mark both bottom fixing points onto the wall from the inside of the bin then remove the whole bin from the wall by unscrewing both upper screws (2).
7. Using a masonry drill bit (8mm) drill two holes into the wall to accommodate wall plug depth.
8. Insert remaining wall plugs (5) then reposition bin back onto the upper mount points and re-fasten the bin securely to the 'Z' bracket (1).
9. Finally securely fix both lower screws (4) from the inside of the bin remembering to include two washers (3) on the inside face.



# Super Trimline 50™ SL/HSL LAMP COLUMN ADAPTER BRACKET KIT FITTING INSTRUCTIONS

**IMPORTANT NOTE:- OPERATORS MUST WEAR APPROPRIATE SAFETY GLOVES WHEN INSTALLING AND HANDLING THIS PRODUCT.**

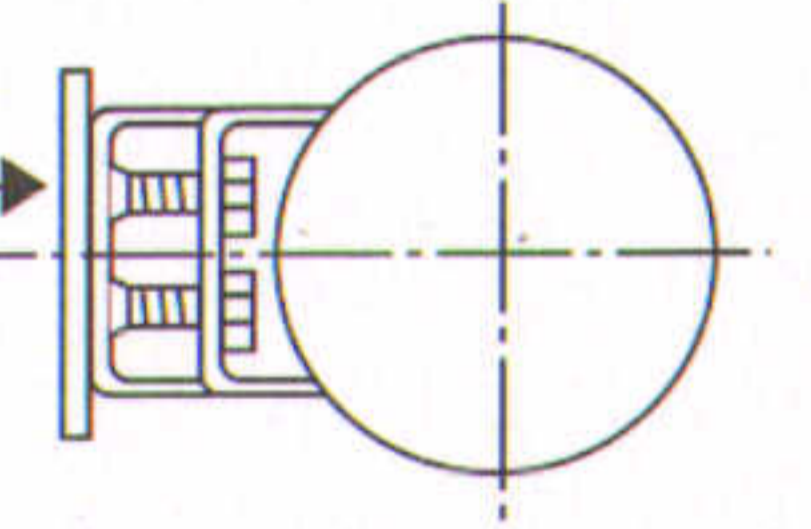
**IMPORTANT NOTE:- ENSURE THAT ALL RELEVANT PERSONNEL READ THE POINTS LISTED BELOW AND THAT A COPY IS PASSED ON TO STAFF INVOLVED WITH THE INSTALLATION.**

PARTS LIST	No.
1. Lamp Column Adapter Bracket	x1
2. Bolt M8 x 30mm	x2
3. Metal Spacer	x2
4. Bridging 'C' Bracket	x1
5. Screw M8 x 25mm	x4
6. Upper Mounting Point	
7. Lower Mounting Point	
8. Stainless Steel Backbone	x1

### EQUIPMENT NEEDED FOR INSTALLATION (Not included)

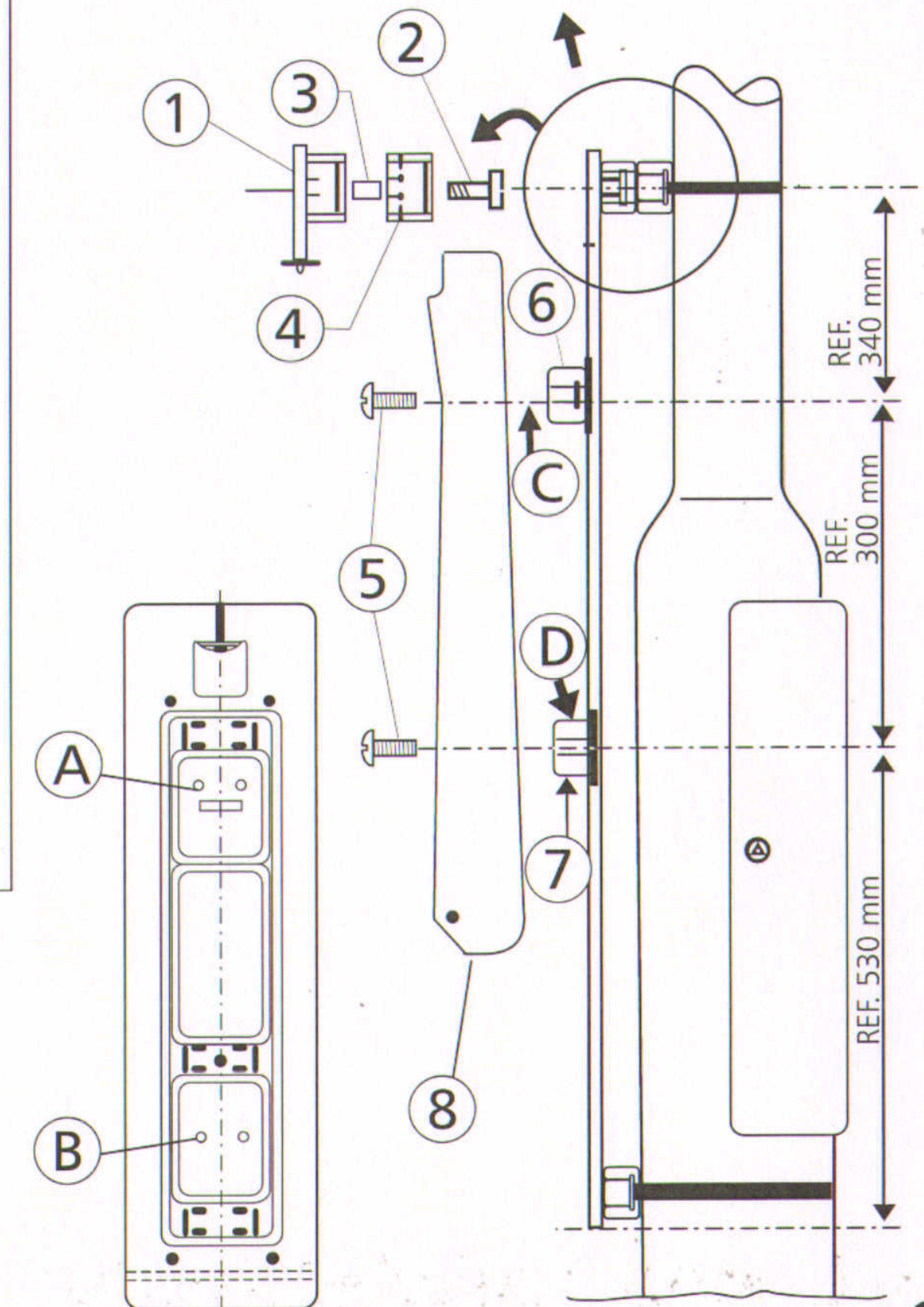
- Spanner (13mm)
- Screwdriver (flat head)
- Note: Tespa or Tamtorque Band is not included with the kit, but are available from Glasdon U.K. Ltd. as a separate kit.

### PLAN VIEW OF ASSEMBLY USING BRIDGING 'C' BRACKET NOT TO SCALE



### ASSEMBLY INSTRUCTIONS:-

1. For lamp columns of differing profiles (as shown) use the Bridging 'C' bracket (4) to extend the upper mounting.
2. Fix using two hex. head machine screw bolts (2), complete with spacer (3) into the pre-drilled attachment. The Lamp Column Bracket may then be affixed to the post using the banding choice ensuring inspection covers etc. remain accessible.
3. Unlock and separate both bin and backbone. Offer the backbone (8) up to the bracket at points C-D. From inside the backbone push through the two screws (5) at points A-B, and screw tight into the threaded holes at both upper and lower points C-D.





# Super Trimline 50™

## LAMP COLUMN ADAPTER BRACKET KIT

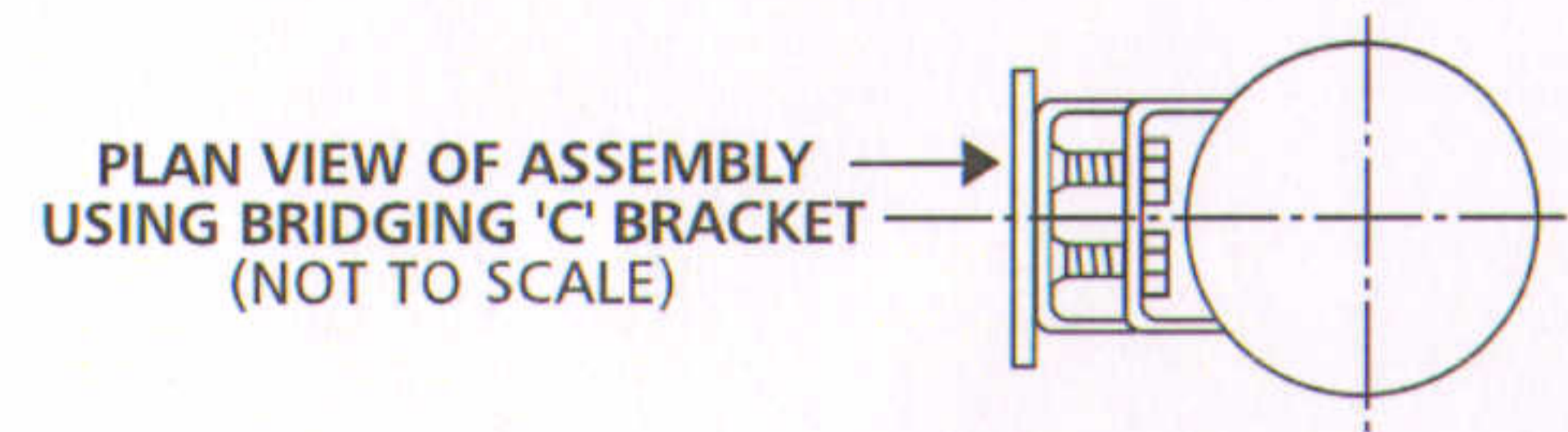
### FITTING INSTRUCTIONS

**IMPORTANT NOTE:- OPERATORS MUST WEAR APPROPRIATE SAFETY GLOVES WHEN INSTALLING AND HANDLING THIS PRODUCT.**

**IMPORTANT NOTE:- ENSURE THAT ALL RELEVANT PERSONNEL READ THE POINTS LISTED BELOW AND THAT A COPY IS PASSED ON TO STAFF INVOLVED WITH THE INSTALLATION.**

PARTS LIST	No.
1. Lamp Column Adapter Kit	x1
2. Bolt M8 x 30mm	x2
3. Metal Spacer	x2
4. Bridging 'C' Bracket	x1
5. Washer Plate	x1
6. Screw M8 x 25mm	x4
7. Metal Washer M8 x 25 mm	x2
8. Upper Mounting Point	
9. Lower Mounting Point	

- EQUIPMENT NEEDED FOR INSTALLATION (Not included)**
- Spanner (13mm)
  - Screwdriver (flat head)
  - Note: Tespa or Tamtorque Banding is not included with the kit, but are available from Glasdon U.K. Ltd. as a separate kit.



#### ASSEMBLY INSTRUCTIONS:-

1. For lamp columns of differing profiles (as shown) use the Bridging 'C' bracket (4) to extend the upper mounting.

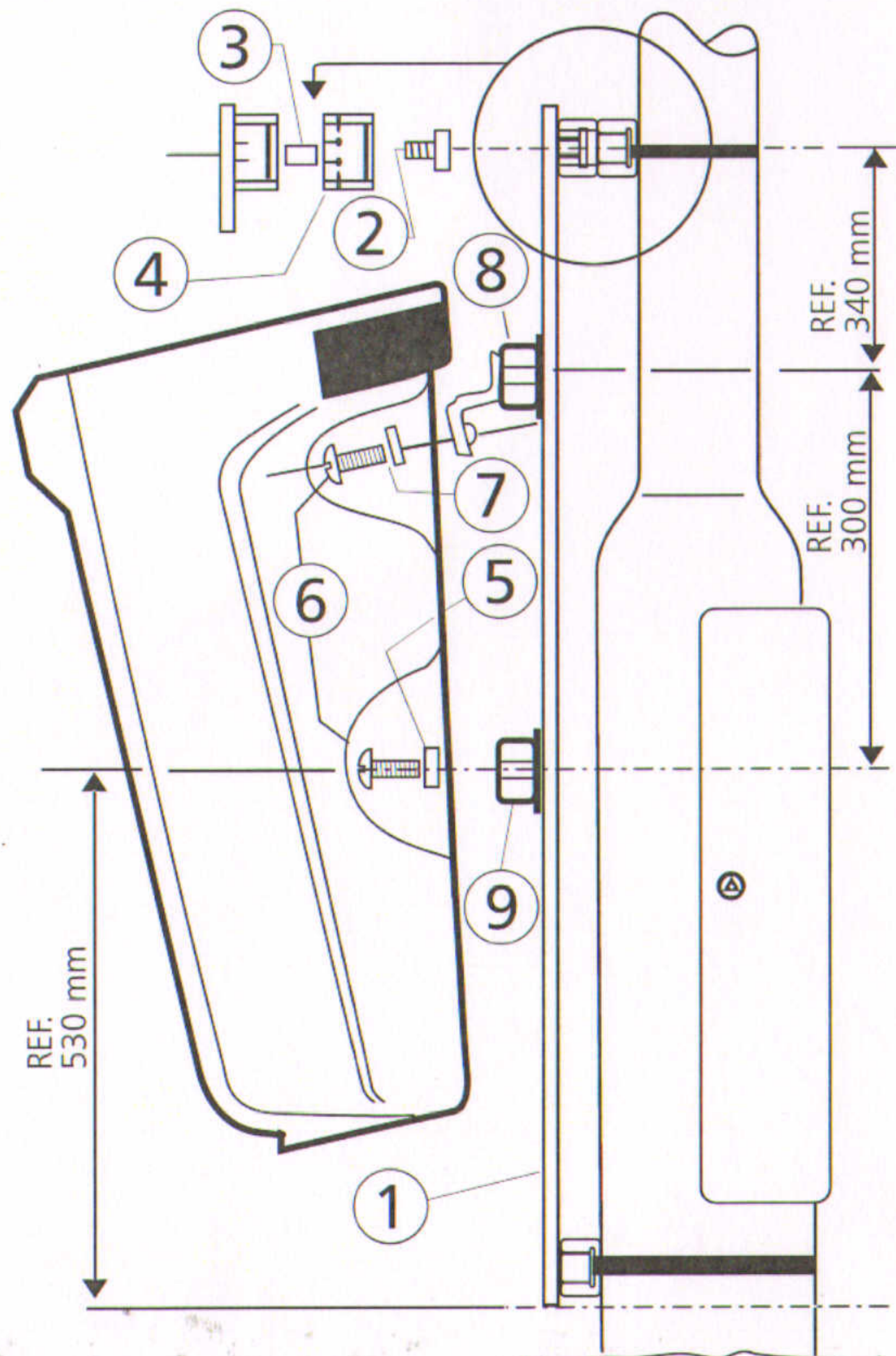
2. Fix using two hex. head machine screw bolts (2), complete with spacer (3) into the pre-drilled attachment. The Lamp Column Bracket may then be affixed to the post using the banding choice ensuring inspection covers etc. remain accessible.

#### BIN UPPER MOUNTING POINT

From the inside of the bin push through the two security screws (6), each complete with washer (7) and screw tight into the threaded holes in the upper mounting point (8).

#### BIN LOWER MOUNTING

From the inside of the bin push through the two remaining screws (6), complete with the washer plate (5), and screw tightly into the threaded holes in the lower mounting point (9).



# Super Trimline 50™

## POST MOUNTING KIT

### FITTING INSTRUCTIONS

**IMPORTANT NOTE:- OPERATORS MUST WEAR APPROPRIATE SAFETY GLOVES WHEN INSTALLING AND HANDLING THIS PRODUCT.**

**IMPORTANT NOTE:- ENSURE THAT ALL RELEVANT PERSONNEL READ THE POINTS LISTED BELOW AND THAT A COPY IS PASSED ON TO STAFF INVOLVED WITH THE INSTALLATION.**

PARTS LIST :- Post	No.
1. 'Z' bracket	x1
2. 'C' bracket	x2
3. Screw M8 x 25mm	x6
4. Washer M8 x 25 Diameter	x2
5. Washer plate	x1

#### EQUIPMENT NEEDED FOR INSTALLATION (Not included)

- Flat head screwdriver.
- Tespa or Tamtorque Banding Kits (Not included but are available from Glasdon as a separate kit. Tamtorque bands are available in two different sizes to fit post diameters from 70mm to 100mm or 130mm to 190mm separately. Check for sizes required prior to ordering kit.)

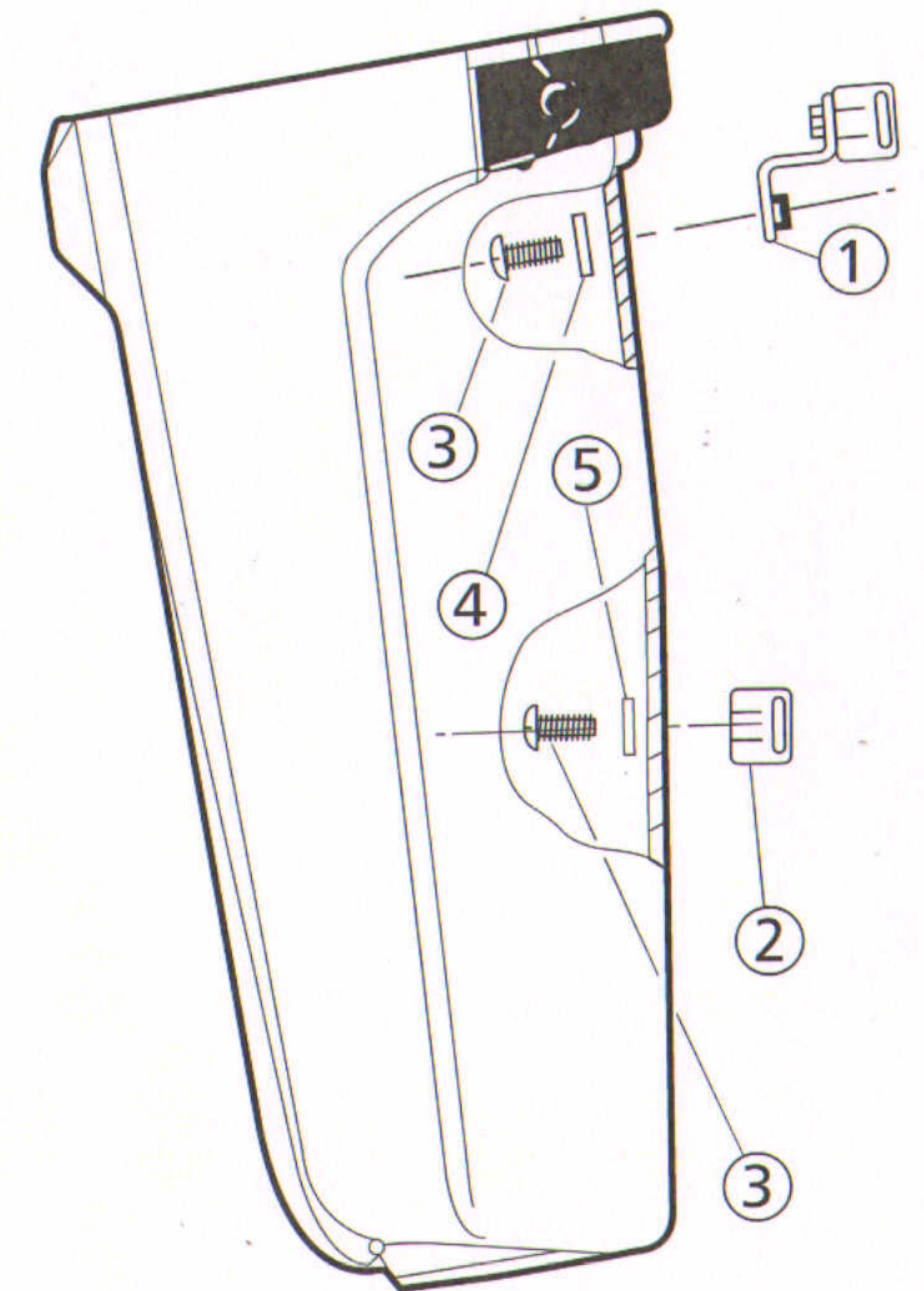
#### ASSEMBLY INSTRUCTIONS:- Post

##### Upper Mounting

1. Assemble 'Z' bracket (1) to 'C' bracket (2) using slotted screw (3)
2. Place and hold bracket assembly (1 & 2) to the outside of the bin, in line with the two upper pre-drilled holes.
3. From the inside, insert two screws (3) each complete with washer (4). Push through the holes in the bin moulding and screw tight into the 'Z' bracket.

##### Lower Mounting

4. Place and hold 'C' bracket (2) to the outside of the bin in line with the remaining two lower pre-drilled holes.
5. From the inside of the bin, insert two screws (3) complete with washer plate (5). Push through the holes in the bin and screw tight into the 'C' Bracket.
6. Fixing of the completed assembly may then be fixed onto the post using either Tespa or Glasdon Tamtorque banding kits. (see equipment needed for installation)





# Super Trimline 50™ SL/HSL

## WALL MOUNTING KIT FITTING INSTRUCTIONS

**IMPORTANT NOTE:- OPERATORS MUST WEAR APPROPRIATE SAFETY GLOVES WHEN INSTALLING AND HANDLING THIS PRODUCT.**

**IMPORTANT NOTE:- ENSURE THAT ALL RELEVANT PERSONNEL READ THE POINTS LISTED BELOW AND THAT A COPY IS PASSED ON TO STAFF INVOLVED WITH THE INSTALLATION.**

PARTS LIST :- Wall	No.
1. Backbone _____	x1
2. Wall screw No.12 x 2.5mm _____	x4
3. Wall plug No. 12 x 45mm _____	x4
4. Metal Washer M6 x 18 _____	x2
5. Plastic set washer _____	x4

### EQUIPMENT NEEDED FOR INSTALLATION (Not included)

- Safety glasses.
- Electric or cordless drill with 8mm. masonry drill bit.
- Flat head screwdriver.
- Marker pen / Pencil.
- Small Hammer.
- Spirit Level.

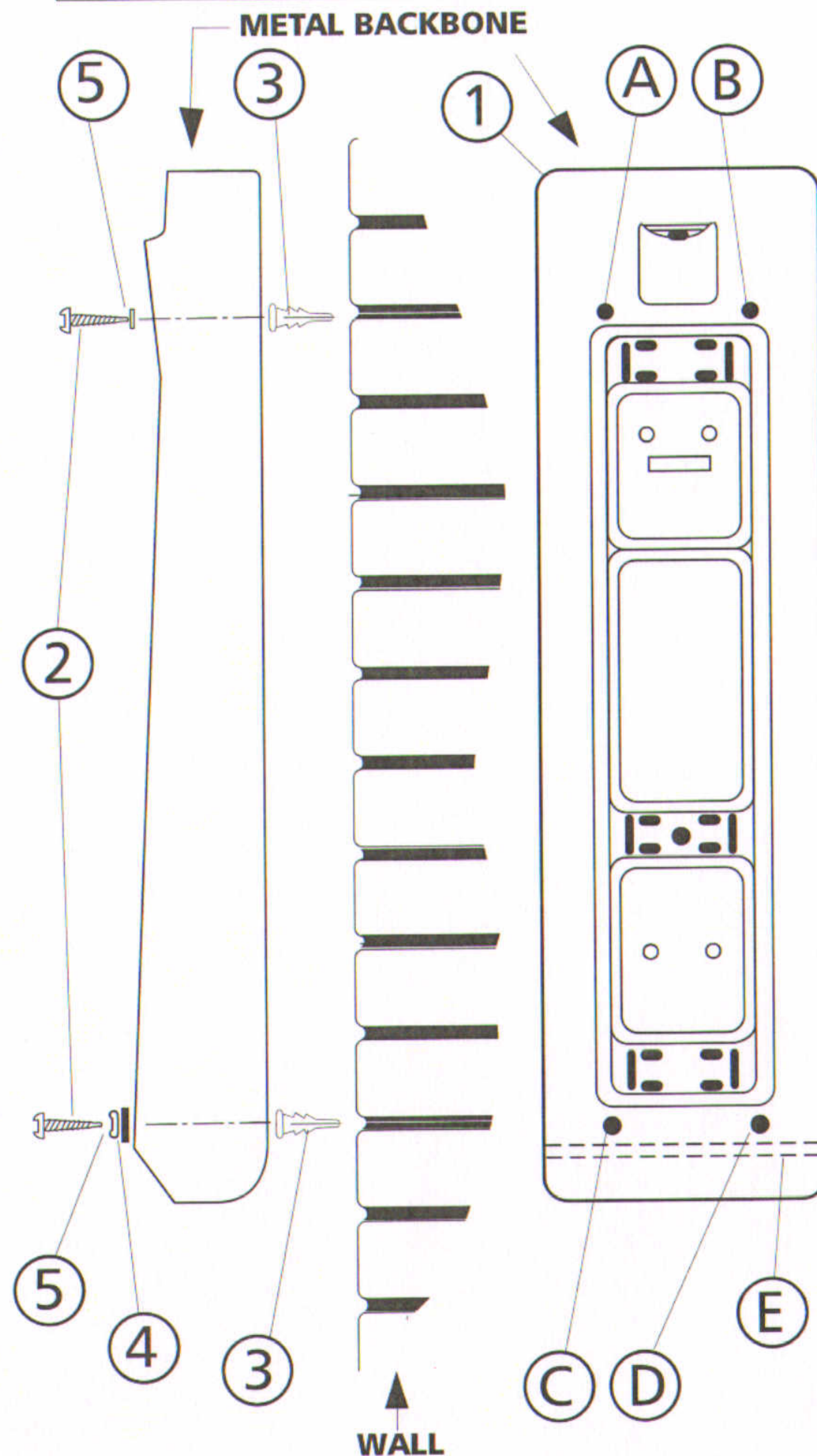
### ASSEMBLY INSTRUCTIONS:- Wall

1. Unlock the bin with the key to separate both the base moulding and the backbone (1).

**Note:** Ref. HSL model, the hood remains fixed to the backbone when the base is removed.

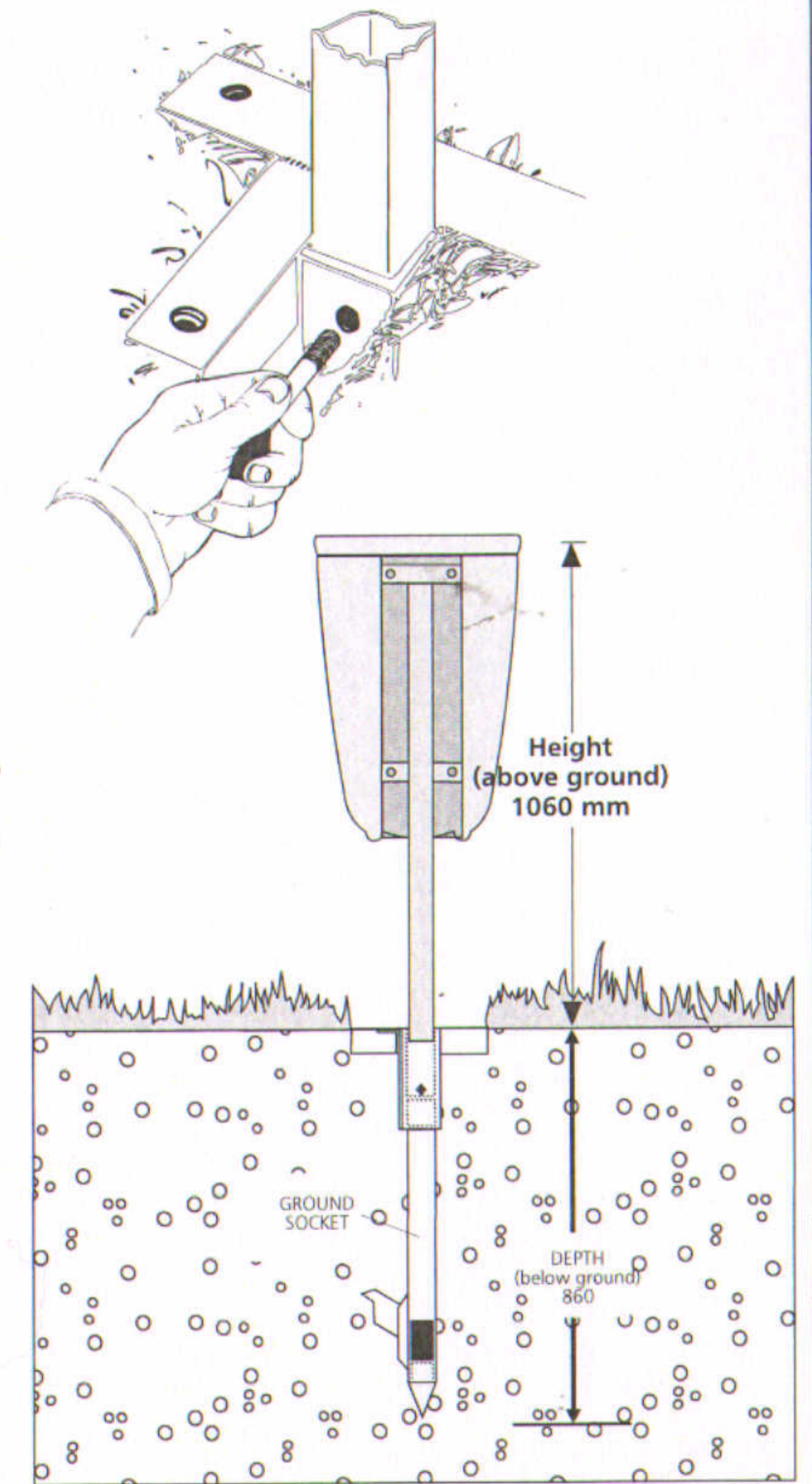
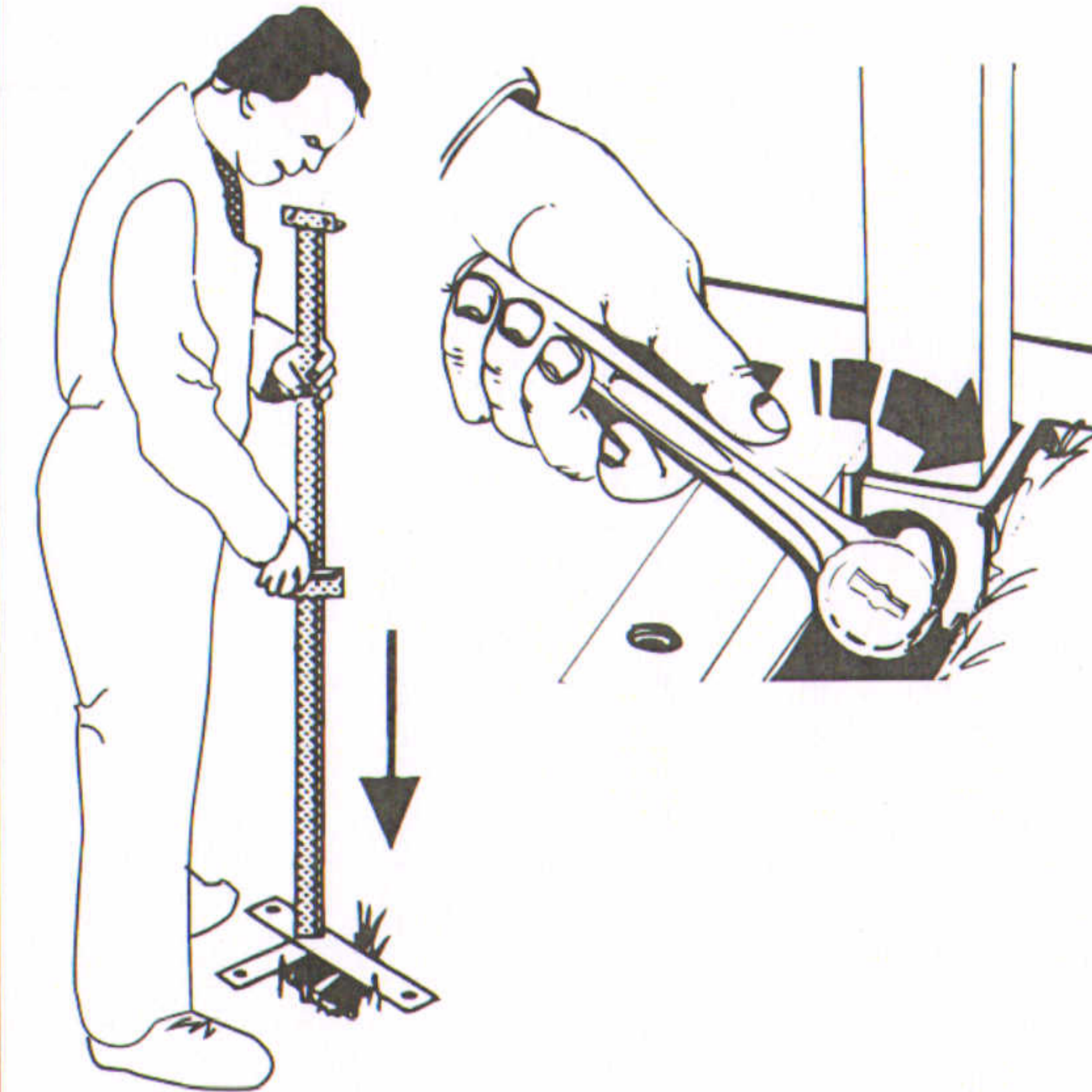
2. Decide at what approximate height the bin is to be mounted onto the wall in relation to the rear top and base fixing hole points (ABCD) on the back inner face of the backbone component (1).
3. Offer the backbone in the correct orientation and desired height up to the wall with the horizontal pivot bar (E) showing at the base. Ensuring the backbone is vertical, mark the wall through both top fixing points (A-B) and then remove backbone.
4. Using a masonry drill bit (8mm) drill two holes (A-B) into the wall to accommodate wall plug (3) depths.
5. Tap the two top wall plugs into holes, offer the backbone up to both plugged holes and using plastic set washers (5) and screws (2) firmly fix backbone to wall surface.
6. With the backbone now in the fixed position, using bottom holes (C-D) as reference, using masonry bit (8mm), drill into the wall to accommodate the remaining wall plugs. Tap plugs into holes and firmly fix backbone to wall using metal washer (4), remaining plastic set washer (5) and wall screws (2).
7. Replace bin base onto the horizontal pivot bar (E) and slam shut base moulding back into the backbone until it locks into position. The bin is now ready for use.

**Important Note:** When using a locking liner ensure that the liner is in place in the base before slamming the bin shut. This ensures that the internal horizontal pin is able to hold the liner in the locked position.



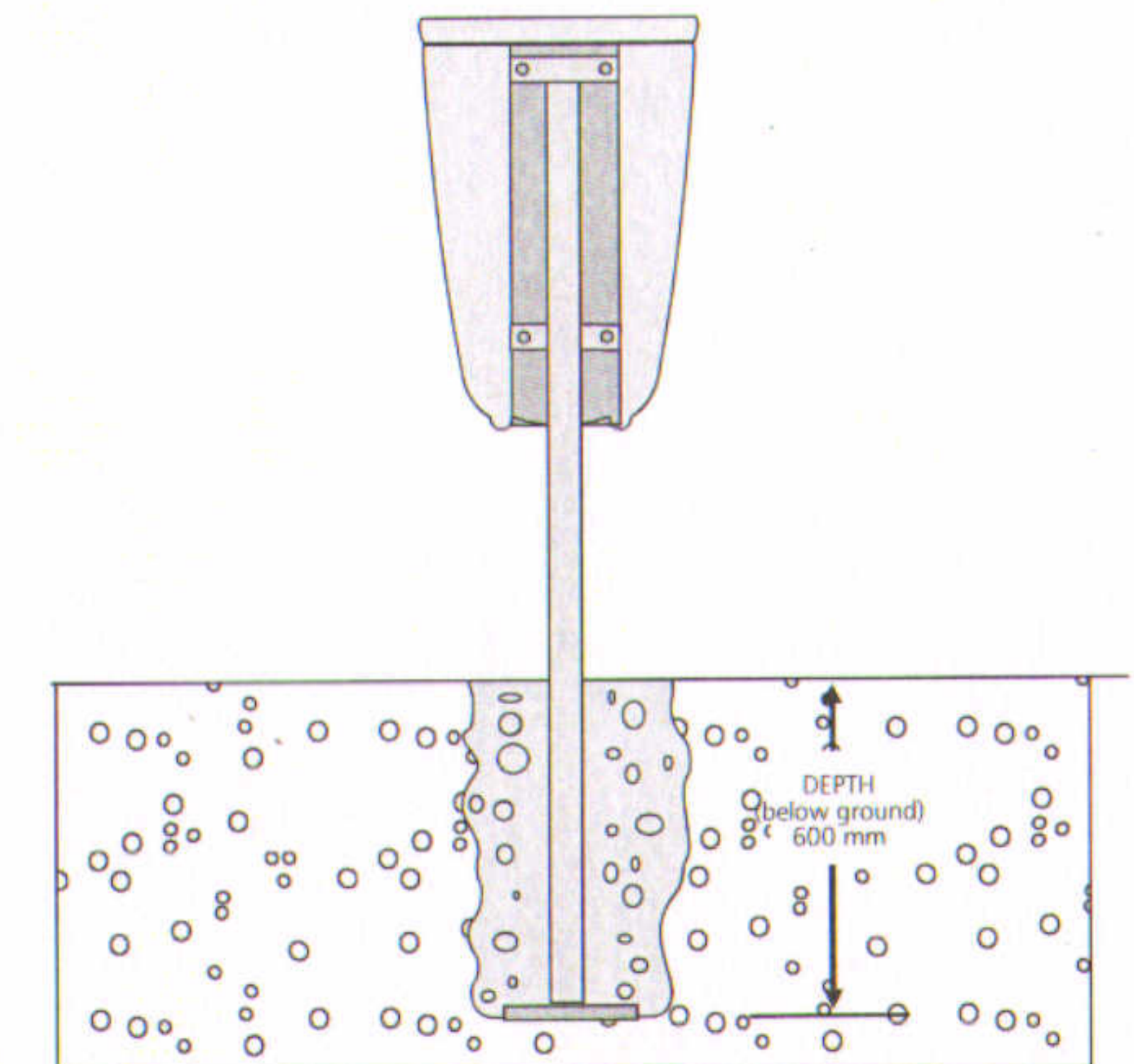
### Stage Four

- Having installed the 'Ground Lock' remove earth locally from around the top to expose the fixing bolt hole for the post. Line the fixing holes up on the post and socket and then insert the post into the socket to achieve the preferred bin orientation.
- Insert bolt (4) and tighten until the post is held firmly in the socket.
- Replace earth around the base to disguise the fixing point.



### EXTENDED POST INSTALLATION:

- Excavate the site in order to provide a post depth below ground of 600mm (approx. 2').
- Place post into the dug hole and level with the appropriate well compacted concrete mix. Ensuring the post is held in a vertical position, allow the concrete to set and harden before fixing the Super Trimline to the post.





# Super Trimline 50™ SL/HSL

## EXTENDED AND GROUND-LOCK POST FIXING SYSTEM

### FITTING INSTRUCTIONS

**IMPORTANT NOTE:- OPERATORS MUST WEAR APPROPRIATE SAFETY GLOVES WHEN INSTALLING AND HANDLING THIS PRODUCT.**

**IMPORTANT NOTE:- ENSURE THAT ALL RELEVANT PERSONNEL READ THE POINTS LISTED BELOW AND THAT A COPY IS PASSED ON TO STAFF INVOLVED WITH THE INSTALLATION.**

**IMPORTANT: WHEN SELECTING A SITE, ENSURE THERE ARE NO BURIED SERVICES**

#### YOU SHOULD HAVE

1. Ground Lock Post
2. Ground Lock socket
3. Socket Block
4. Bolt M10 x 70mm
5. M10 metal Washer
6. \* Installation Cap
7. \* Insertion Cap

No. x1  
x1  
x2  
x2  
x2  
x2  
x1

Other fixings necessary in the fitting / assembly of the completed bin to the chosen post type, are included with the bin outer.

#### EQUIPMENT NEEDED FOR INSTALLATION: (Not Included)

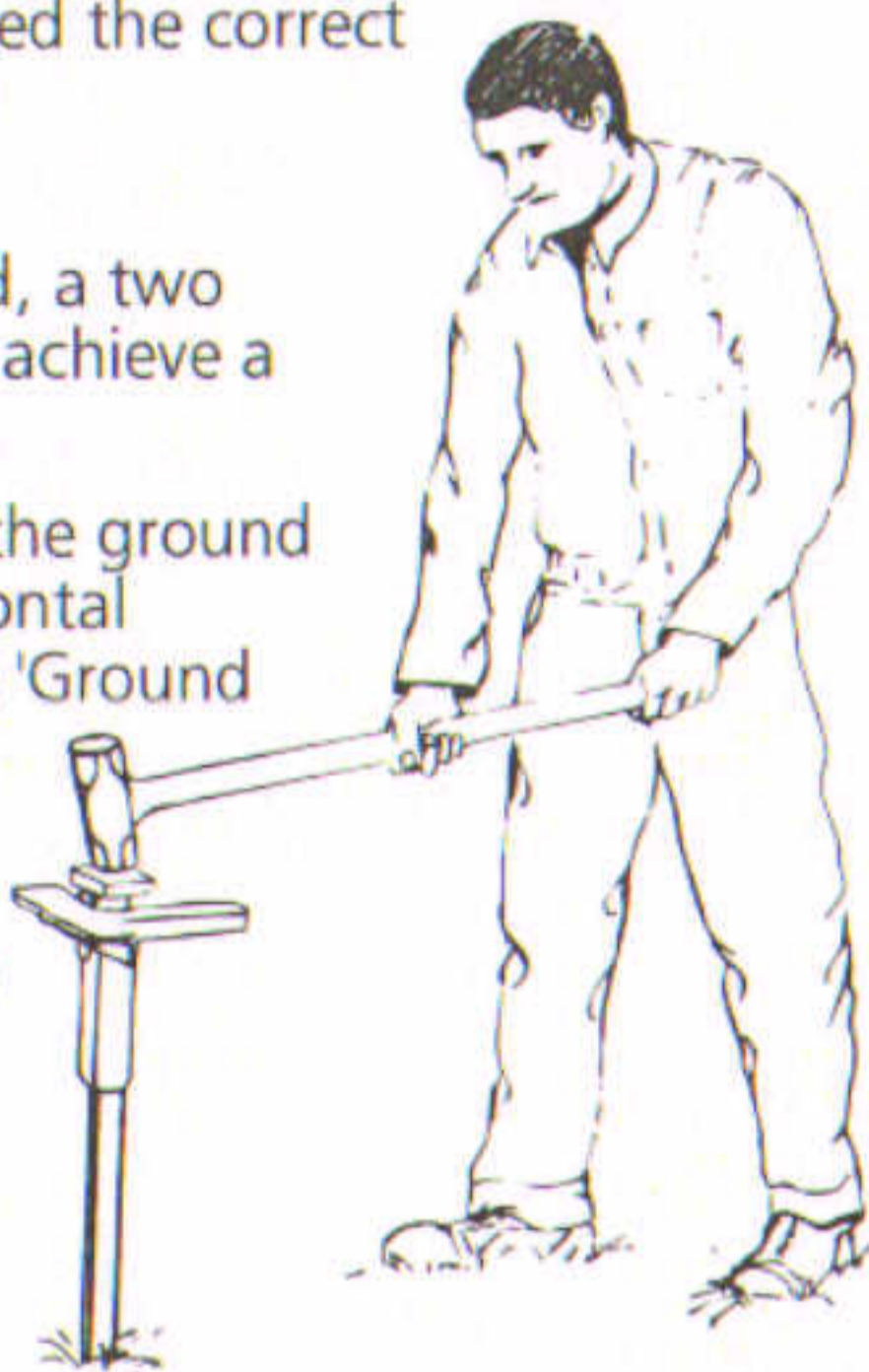
- 17mm Socket Spanner
- Socket wrench
- Safety shoes
- Sledge hammer
- Suitable gloves
- Ear-defenders
- Spade or trowel

#### Stage One

- Remove the safety tube from the end of the Ground lock leaving the buried services sticker in place. Push the socket spike into the chosen ground in a vertical position until it stands alone, ensuring that when bin and post are finally fitted the correct orientation is achieved.
- Position the installation cap.

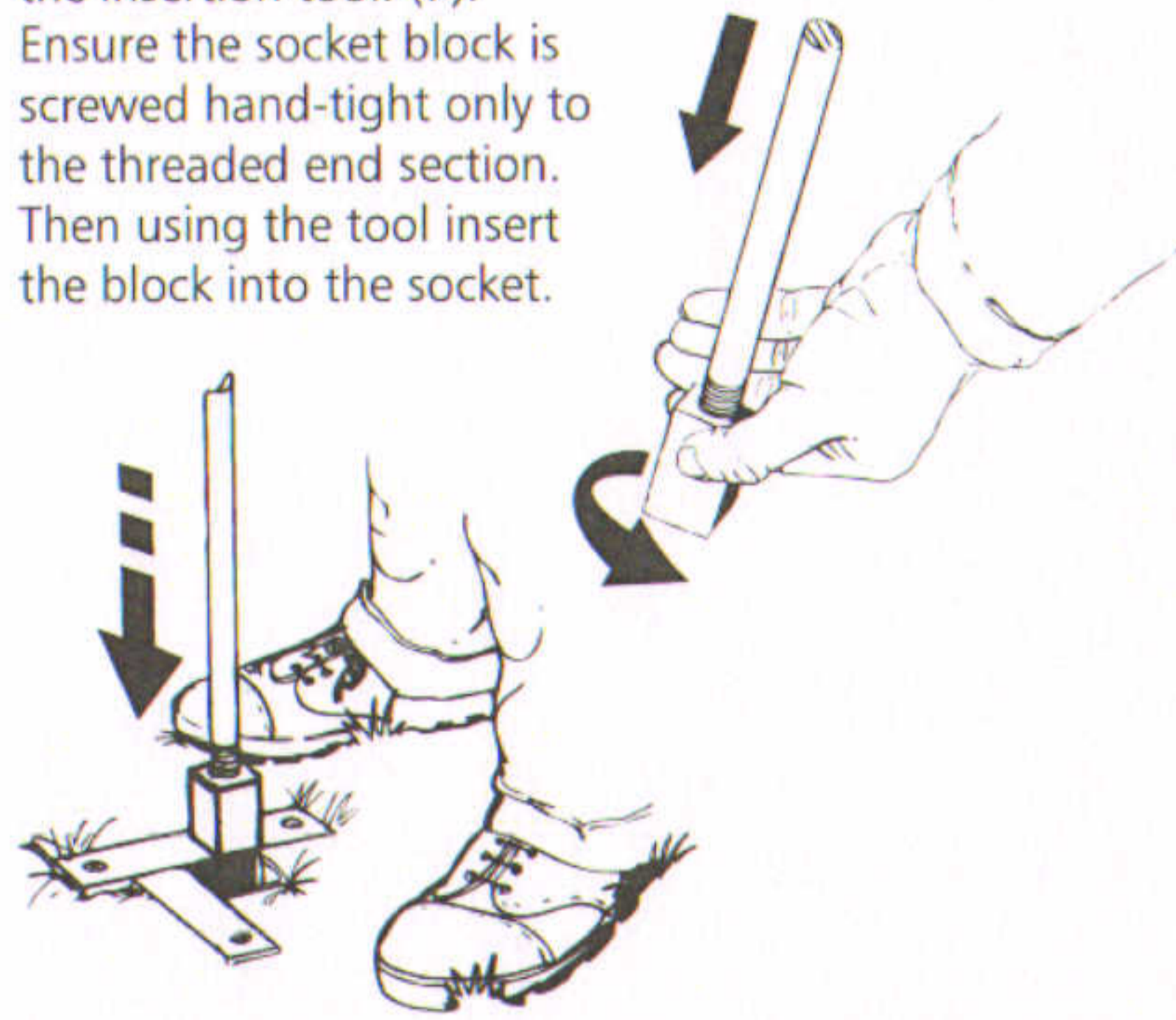
Note: If ground conditions are hard, a two man operation may be required to achieve a satisfactory installation.

Hammer the "Ground Lock" into the ground with even strokes until the horizontal bracket (affixed to the top of the "Ground lock") is level with the ground. When half way into the ground check the vertical position and adjust if necessary then continue installation until the top of the "Ground Lock" is at ground level. Remove and retain the installation cap for further use.



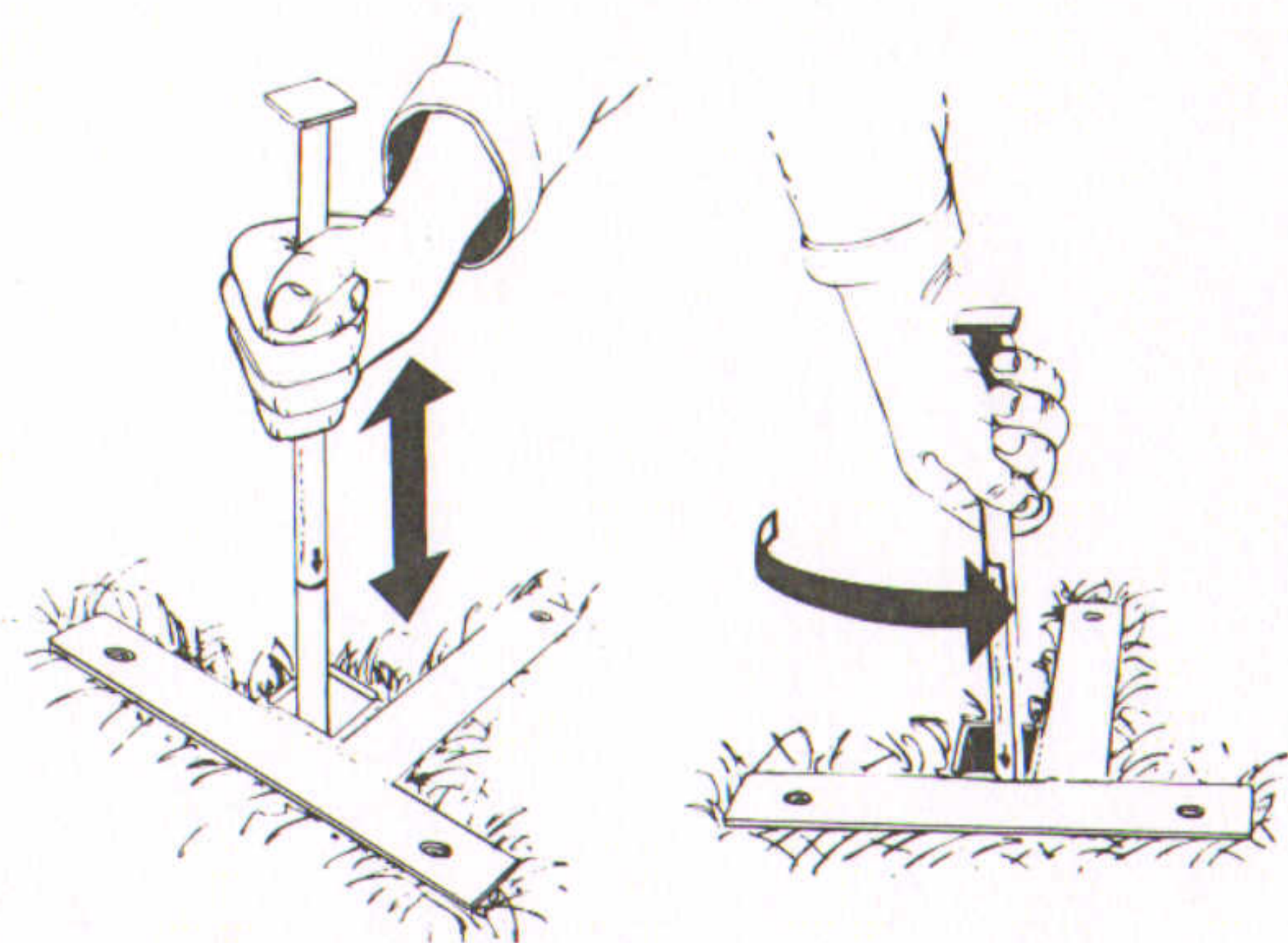
#### Stage Two

- Take the socket block (3), and screw onto the end of the insertion tool. (7).
- Ensure the socket block is screwed hand-tight only to the threaded end section. Then using the tool insert the block into the socket.



#### Stage Three

- Ram the insertion tool downwards to activate the barb securing the 'Ground Lock' into position. When the arrow on the insertion tool is showing level with the top of the socket, the 'Ground Lock' is fully engaged. twist the insertion tool anti-clockwise to separate from the socket block, then remove insertion tool and retain for further use.



# Super Trimline 50™ SL/HSL

## POST MOUNTING KIT

### FITTING INSTRUCTIONS

**IMPORTANT NOTE:- OPERATORS MUST WEAR APPROPRIATE SAFETY GLOVES WHEN INSTALLING AND HANDLING THIS PRODUCT.**

**IMPORTANT NOTE:- ENSURE THAT ALL RELEVANT PERSONNEL READ THE POINTS LISTED BELOW AND THAT A COPY IS PASSED ON TO STAFF INVOLVED WITH THE INSTALLATION.**

#### PARTS LIST :- POST MOUNT

- |                   | No. |
|-------------------|-----|
| 1. Metal Backbone | x1  |
| 2. Spacer Block   | x3  |

#### EQUIPMENT NEEDED FOR INSTALLATION (Not included)

- Tespa or Tamtorque Banding Kits (Not included but are available from Glasdon as a separate kit. Tamtorque bands are available in two different sizes to fit post diameters from 70mm to 100mm or 130mm to 190mm separately. Check for sizes required prior to ordering kit.)

#### ASSEMBLY INSTRUCTIONS:- POST

1. Unlock the bin with the key to separate both the base moulding and the metal backbone (1).

Note: Ref. HSL model, the hood remains fixed to the backbone when the base is removed.

2. Spacer Block Fixing.

Before fixing spacer blocks see note on post banding position below. With the wall or post side of the backbone facing you, insert both the spacer blocks (2) into the array of holes at points (A-B). Ensure that the downward pegs are positioned first. The upper snap-in points can then be firmly pushed inwards until a firm click sound is heard, ensuring they are in position. See Diagram One.

Note: Ref. Post banding position. Two inner blocks (C-D) are positioned as shown as standard. If the lower block position is preferred higher, an extra sticky pad is provided to allow this. Prise off the lower block, ensure the surface is clean, apply the sticky pad to one face and re-apply in the new position over the centre hole features (F) See Diagram Two.

Note: - If the locking liner is chosen only the top and bottom fixing points can be used.

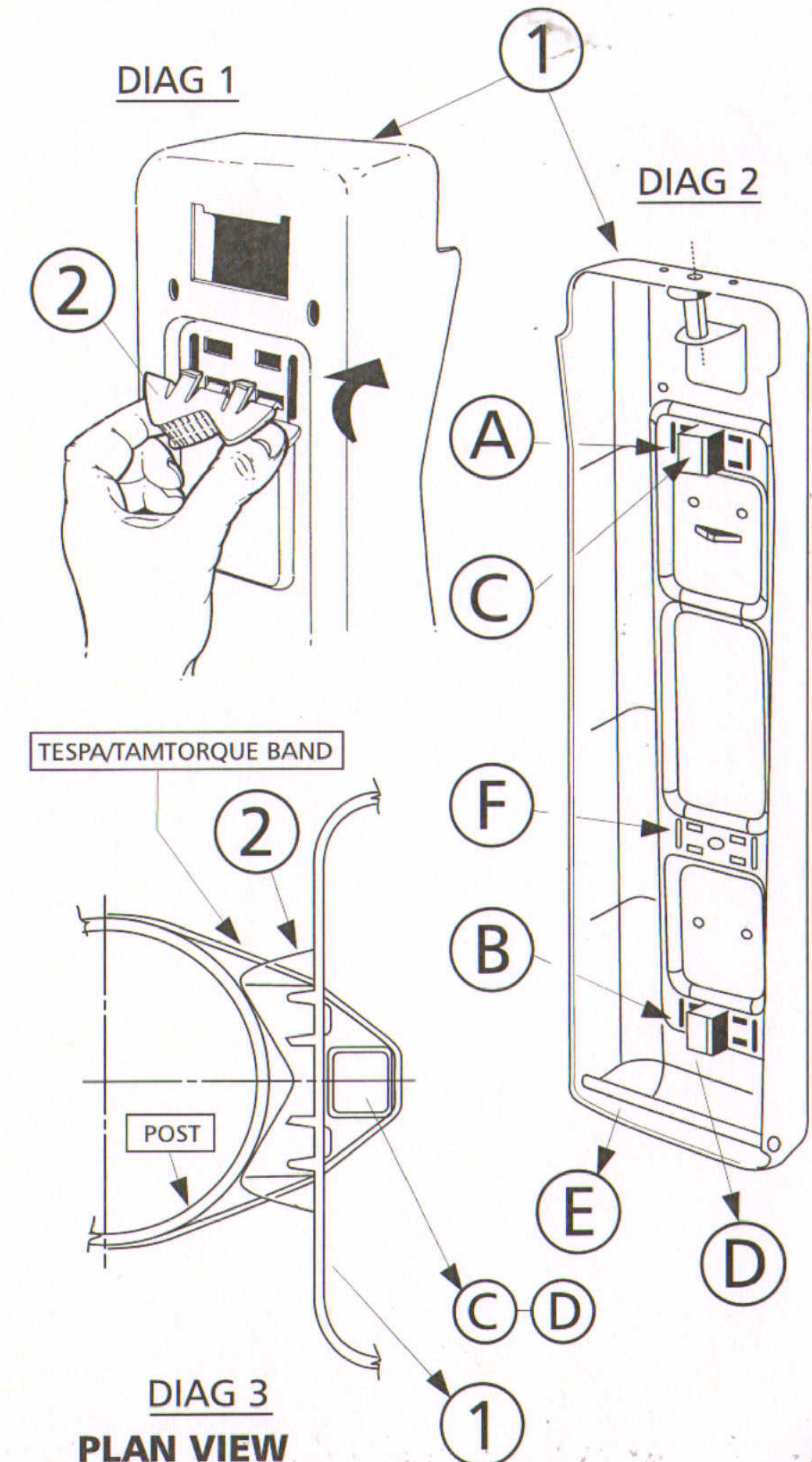
3. Fixing of the backbone to the post may then commence using either Tespa or Glasdon Tamtorque banding Kits. Ensure correct orientation and height are chosen on the post with the horizontal pivot bar (E) at base level.

Note: - Either choice of band must be inserted through the backbone as diagram Three shows.

See also equipment needed for installation.

4. Lastly replace bin base onto the horizontal pivot bar (E) and slam shut back into the backbone until it locks into position. The bin is now ready for use.

**Important Note:** When using a locking liner ensure that the liner is in place in the base before slamming the bin shut. This ensures that the internal horizontal pin is able to hold the liner in the locked position.





# Super Trimline 50™

## EXTENDED AND GROUND-LOCK POST MOUNTING KIT

### FITTING INSTRUCTIONS

**IMPORTANT NOTE:- OPERATORS MUST WEAR APPROPRIATE SAFETY GLOVES WHEN INSTALLING AND HANDLING THIS PRODUCT.**

**IMPORTANT NOTE:- ENSURE THAT ALL RELEVANT PERSONNEL READ THE POINTS LISTED BELOW AND THAT A COPY IS PASSED ON TO STAFF INVOLVED WITH THE INSTALLATION.**

#### PARTS LIST

No.	No.
1.	Socket Block
2.	Washer Plate
3.	Screw M10 x 30mm
4.	Shakeproof Washer
5.	Sheared Washer
6.	Security Screw
7.	Bolt M10 x 70mm
8.	Security Alley Key
9.	Ground-Lock or Extended Post
10.	Ground Socket

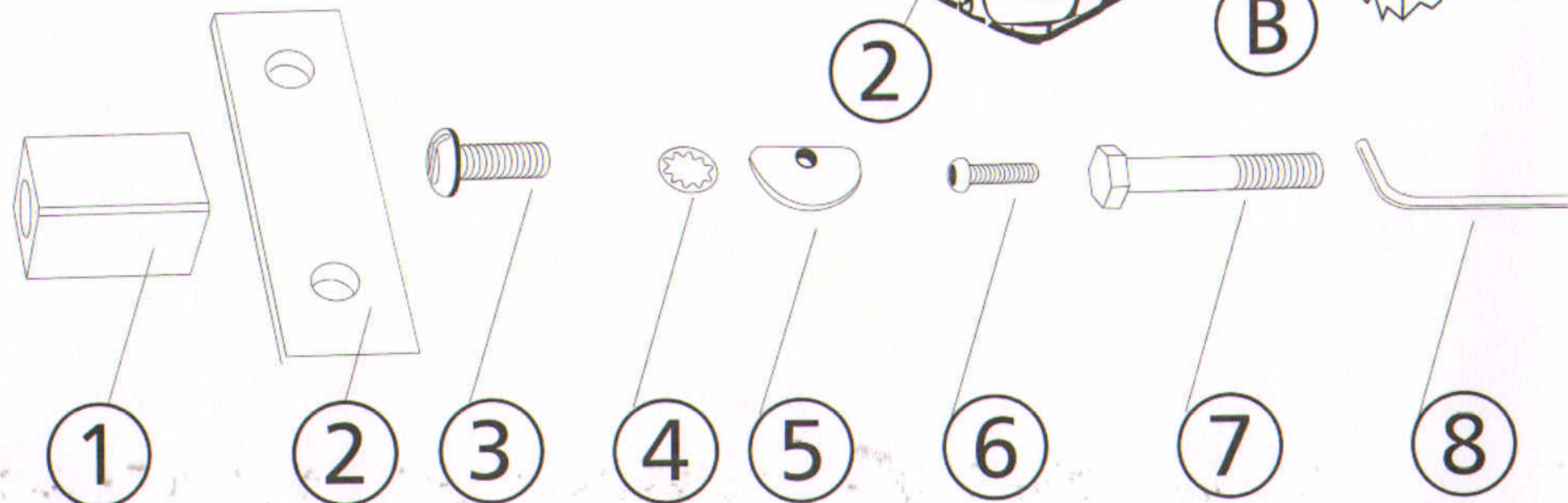
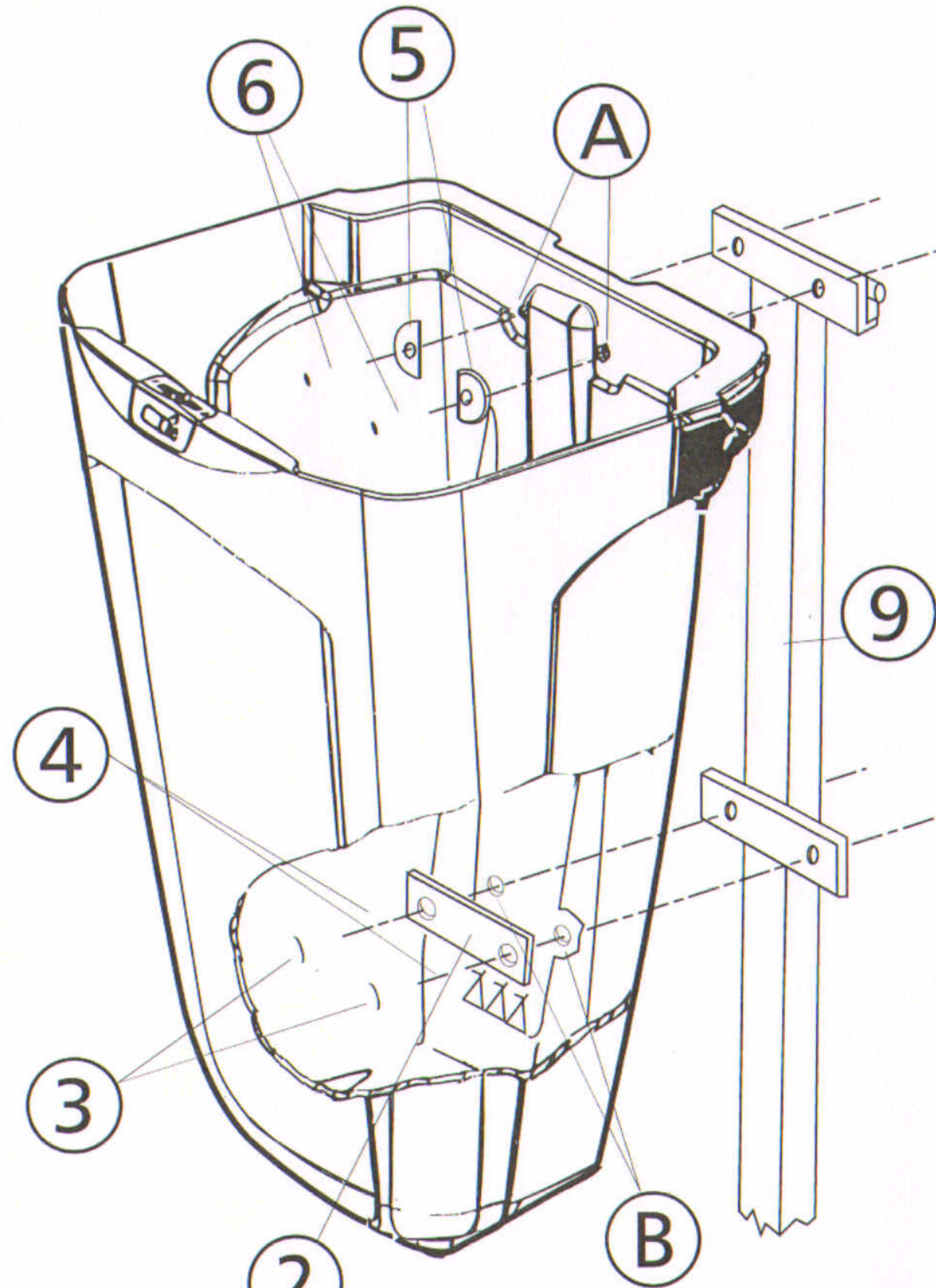
NOTE:- Items 1, 7 and 10 are for use with the Ground-Lock Post only.

#### ASSEMBLY INSTRUCTIONS:-

1. Offer the rear of the bin to the post and align with the four pre-drilled holes. Hold in place for fixing.
2. UPPER MOUNTING (A)  
From the inside of the bin push through the two security screws (6), each complete with washer (5) and screw tight into the threaded holes in the top of the post using the security Allen Key (8), ensuring the flat edge of washer (5), is facing into the centre of the bin.
3. LOWER MOUNTING (B)  
From the inside of the bin, push through the two screws (3), each complete with the washer plate (2) and shakeproof washer (4). Screw tightly into the threaded holes in the lower fixing using a flat headed screwdriver.

#### EQUIPMENT NEEDED FOR INSTALLATION (Not included)

- \* Flat head screwdriver.



# Super Trimline 50™ SL/HSL

## EXTENDED AND GROUND-LOCK POST MOUNTING KIT

### FITTING INSTRUCTIONS

**IMPORTANT NOTE:- OPERATORS MUST WEAR APPROPRIATE SAFETY GLOVES WHEN INSTALLING AND HANDLING THIS PRODUCT.**

**IMPORTANT NOTE:- ENSURE THAT ALL RELEVANT PERSONNEL READ THE POINTS LISTED BELOW AND THAT A COPY IS PASSED ON TO STAFF INVOLVED WITH THE INSTALLATION.**

#### PARTS LIST

No.	No.
1.	Socket Block
2.	Washer Plate (S/Trimline 50 only)
3.	Screw M10 x 30mm
4.	Shakeproof Washer
5.	Sheared Washer (S/Trimline 50 only)
6.	Security Screw
7.	Bolt M10 x 70
8.	Security Alley Key
9.	Ground-Lock or Extended Post
10.	Ground Socket (not illustrated)

NOTE:- Items 1, 7 and 10 are for use with the Ground-Lock Post only.

#### ASSEMBLY INSTRUCTIONS:-

1. Offer the rear of the metal backbone to the post and align with the four holes (A-B). Hold in place for fixing.
2. UPPER MOUNTING (A)  
From the inside of the backbone push through the two security screws (6), and screw tight into the threaded holes in the top of the post using the security Allen Key (8).
3. LOWER MOUNTING (B)  
From the inside of the backbone push through the two screws (3), each complete with the washer plate (2) and shakeproof washer (4). Screw tightly into the threaded holes in the lower fixing using a flat headed screwdriver. The bin may now be locked in position.

#### EQUIPMENT NEEDED FOR INSTALLATION (Not included)

- Flat head screwdriver.

