



# SKIPPER™

## Cleaning and Service Trolley ASSEMBLY AND USER INSTRUCTIONS

PLEASE ENSURE THAT ALL RELEVANT PERSONNEL READ THESE INSTRUCTIONS PRIOR TO ASSEMBLY AND OPERATION

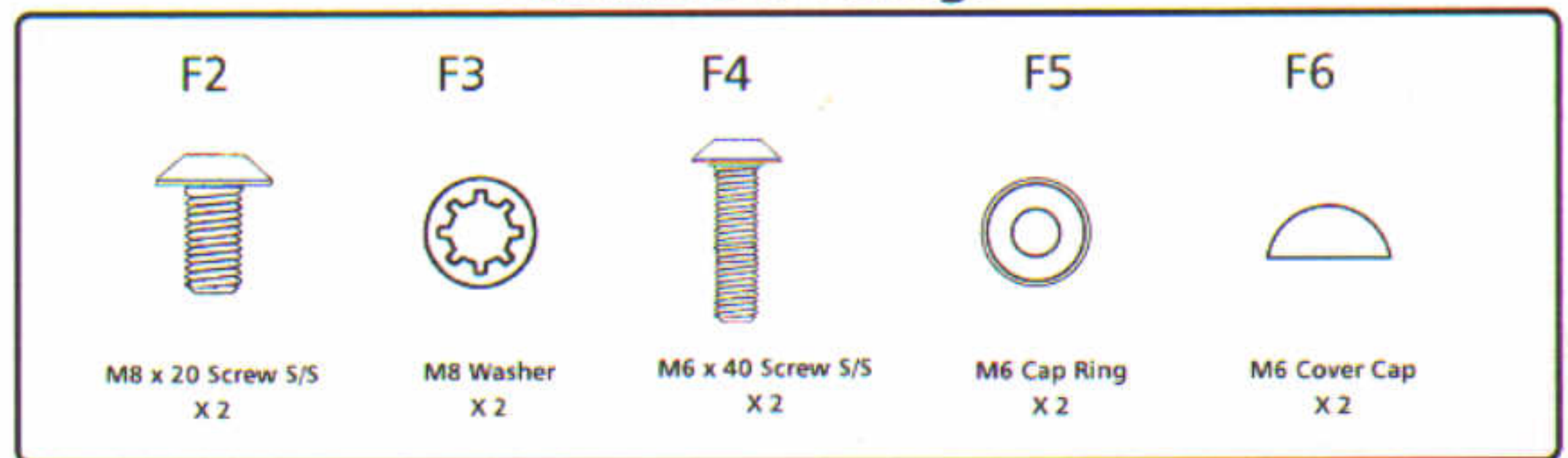
The handles are packed in the unit's tool storage tubes.

They are supplied with two fixing options. The temporary fixing uses a plastic headed screw (F1), so that the handles can be easily removed on a daily basis for transportation or storage purposes. The permanent fixings utilise two Allen headed screws. The larger screw (F2) is used, with washer (F3) on the front corner while the fixing screw (F4) provides additional locking on the side of the handle.

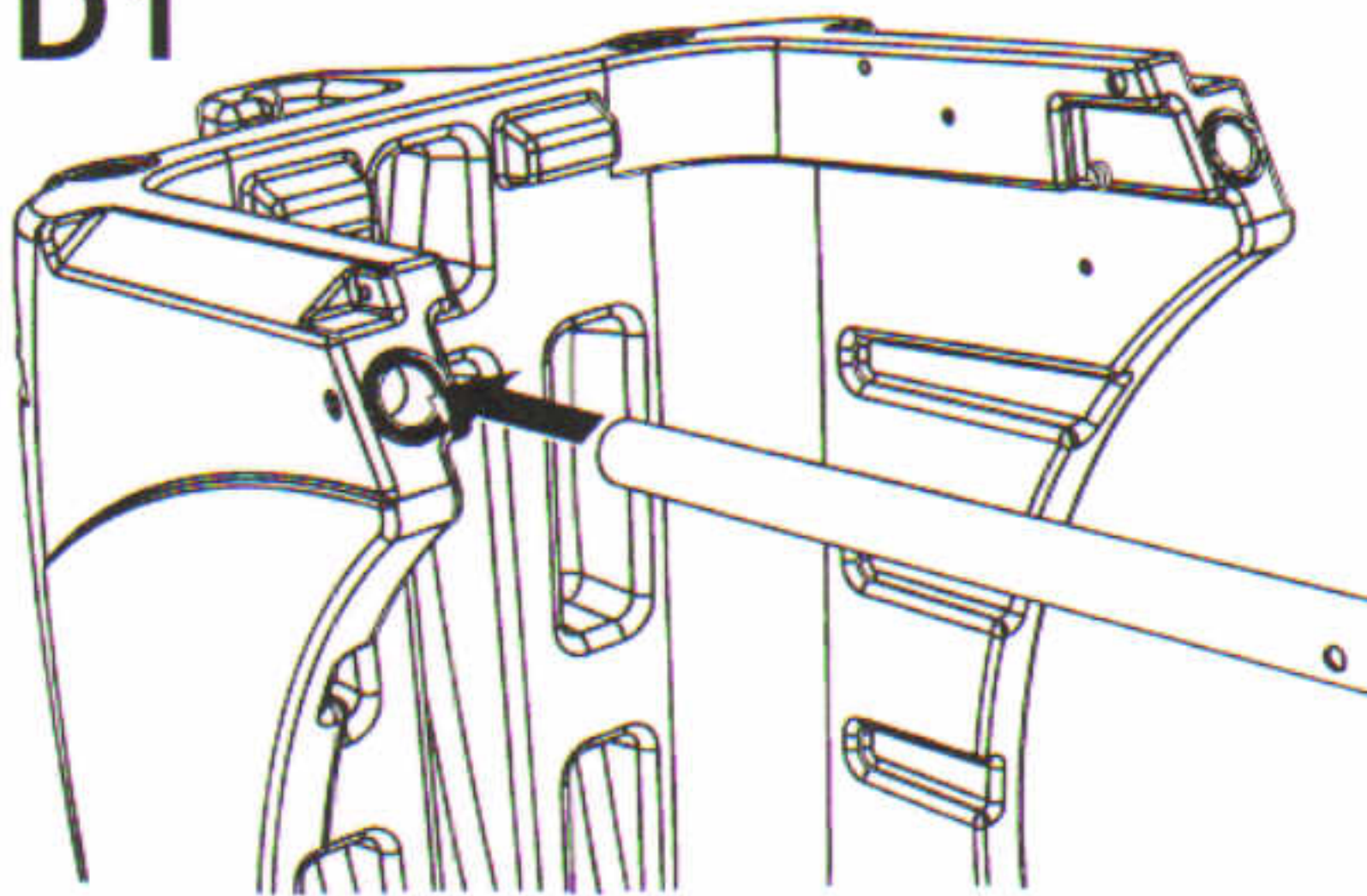
### Temporary Fixings



### Permanent Fixings



### D1



### STEP 1 (Some components removed for clarity of diagram)

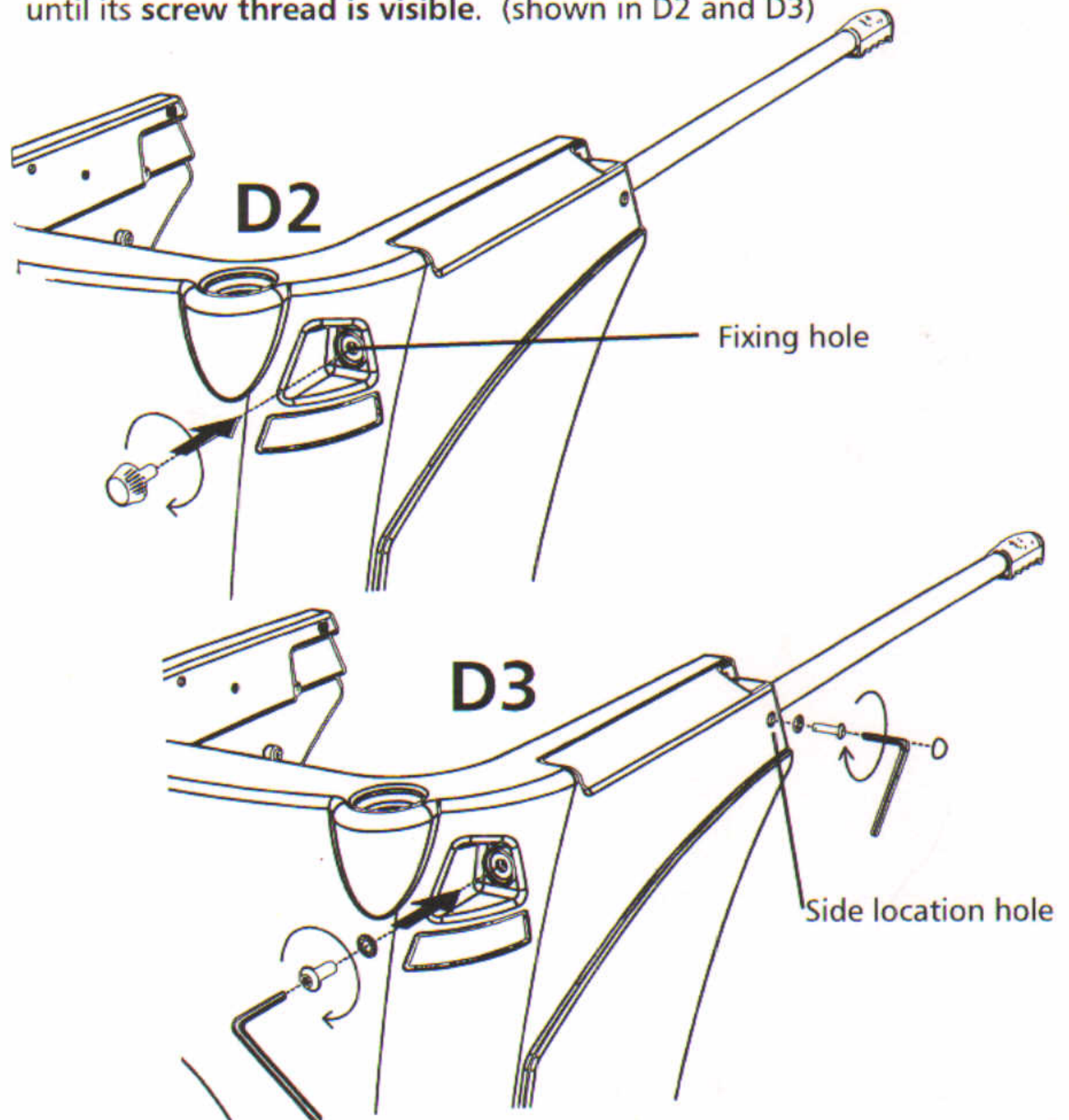
The handles are assembled by pushing them into the open tubes at the rear of the unit ( Figure D1) ensuring they are kept level so that they ride above the internal guide pins. Ensure that the location holes of the handle are facing the outside wall of the unit when the handgrips are in the correct position.

To fasten, stand to the side of the unit towards the front corner. Hold the handle in one hand so that by looking through the fixing hole on the front corner, the handle can be adjusted until its screw thread is visible. (shown in D2 and D3)

### STEP 2 (choose fixing option)

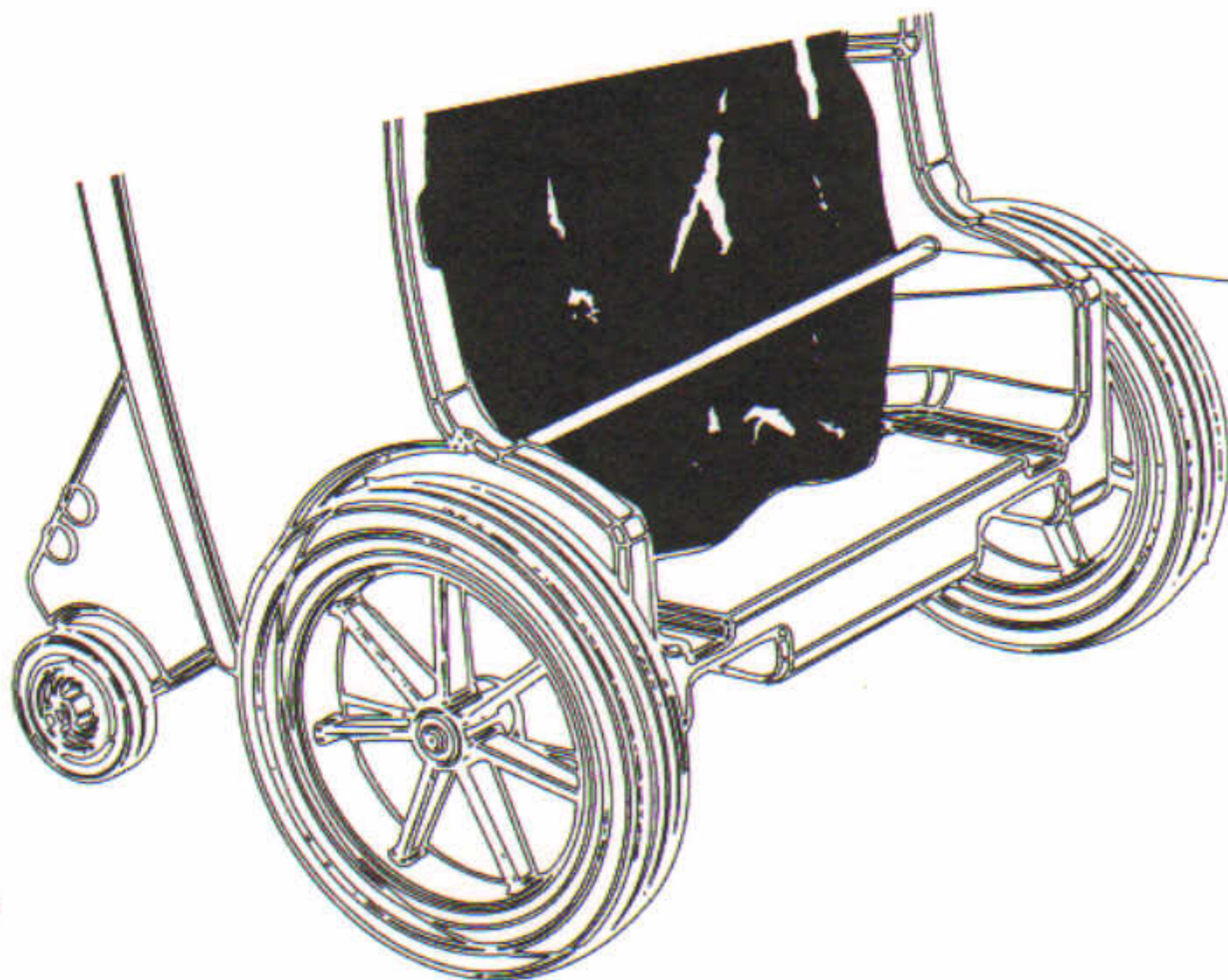
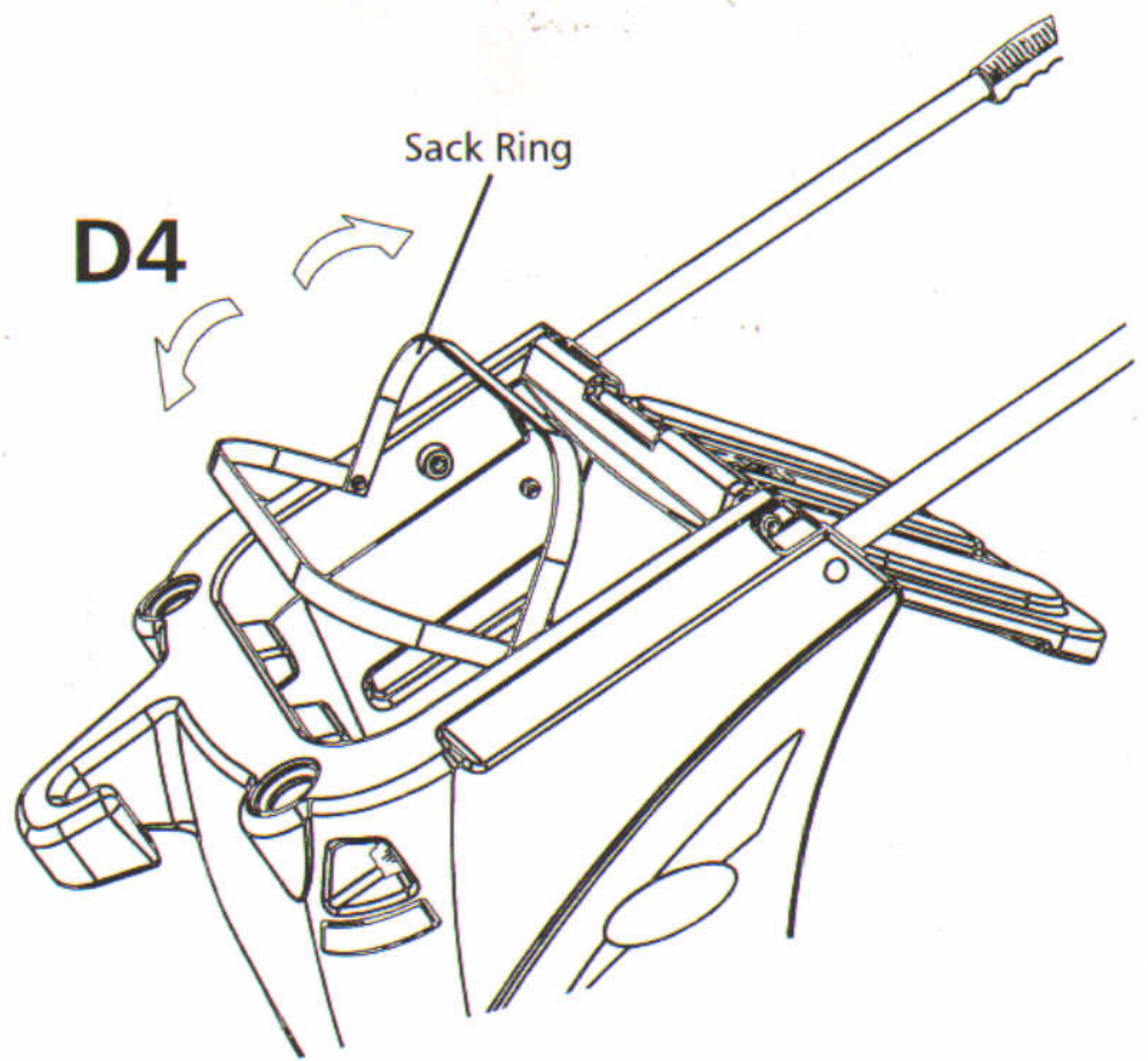
For the **TEMPORARY** fixing option (D2) insert thumb screw (F1) and fully tighten while holding the handle steady, or by turning the handle and holding the screw steady.

For the **PERMANENT** fixing option (D3) look through the side location hole on the body and adjust the handle until its location is visible. Once the holes are aligned, place the cap ring (F5) onto the fixing screw (F4) with the upturned edge facing the head of the screw. Insert screw and fully tighten with small Allen key provided. Push cover cap (F6) onto the head of the screw. Place washer (F3) onto the fixing screw (F2) and insert into the screw thread of the handle (minimal adjustment of the handle may be necessary in order to align its screw thread with the fixing hole). Fully tighten with the larger Allen key provided.



## SACK OPERATION

Open lid fully and leave in the rest position. Place sack down through the top, lift both sides of the centrally hinged sack ring (D4) and wrap around approximately 40mm of the sack over the front, back and where possible the sides of the sack ring. Push the sack ring back to its rest position, trapping the sack between the sides of the unit. The lid can now be closed ready for operation. The sack base must rest between the front body of the unit and the retention bar towards the bottom of the unit (D5)

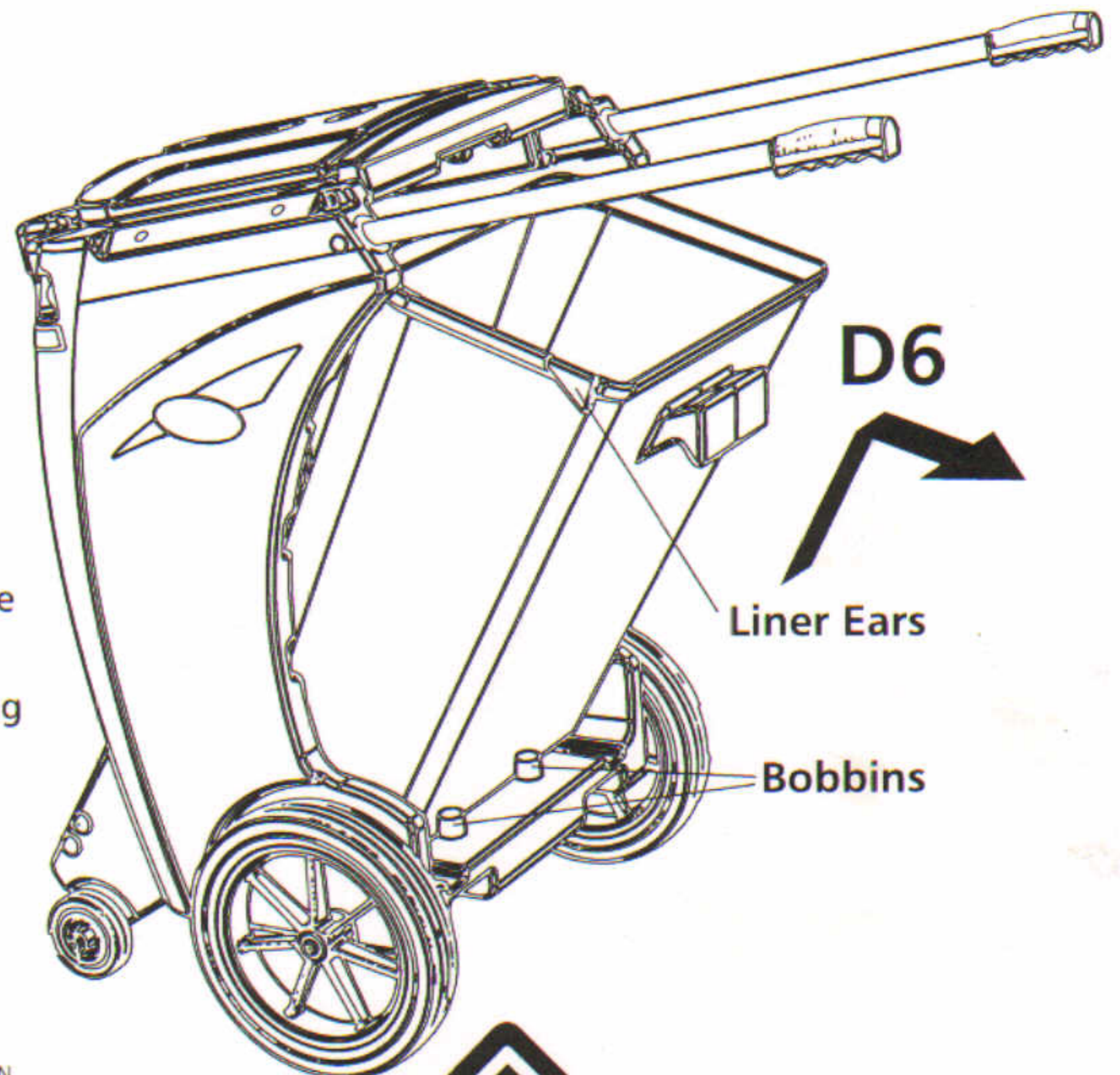


Sack retention Bar

D5

## RIGID LINER OPERATION


The liner locates behind two bobbins on the base of the unit and is held in position by two pins located on the inside wall of the unit, towards the top. To remove the liner (the lid can remain closed) lift slightly so that the 'ears' of the liner clear the location pins and tilt outwards (D6). To return the liner, tilt the base inwards so that it rests over the bobbins on the unit and then push the top of the unit inwards ensuring the 'ears' of the liner rest behind the locating pins.



D6

Liner Ears

Bobbins

 Glasdon® AND SKIPPER™ ARE TRADEMARKS OR REGISTERED TRADEMARKS OF GLASDON GROUP OR ITS SUBSIDIARIES IN THE U.K. AND OTHER COUNTRIES

- A planned maintenance schedule of regular inspection is recommended, replacing components as necessary.
- Replacement components are available direct from GLASDON.
- GLASDON cannot be held responsible for claims arising from incorrect installation, unauthorised modifications or misuse of the product.

Issue 3 Date Sept 2010 Stock no. C000/0238

©Copyright 2010. Glasdon reserve the right to alter specification without prior notice.



**Glasdon®**

**Glasdon U.K. Limited**

Preston New Road  
BLACKPOOL  
Lancashire  
FY4 4UL

Tel: (01253) 600410

Fax: (01253) 792558

e-mail: sales@glasdon-uk.co.uk

web: www.glasdon.com