



Recycling Stand

Assembly Guide

IMPORTANT NOTE: ENSURE THAT ALL RELEVANT PERSONNEL READ THESE INSTRUCTIONS PRIOR TO USE

Stand Contents:

Stand x 1
Sign x 1
M6 x 10mm Screw x 2

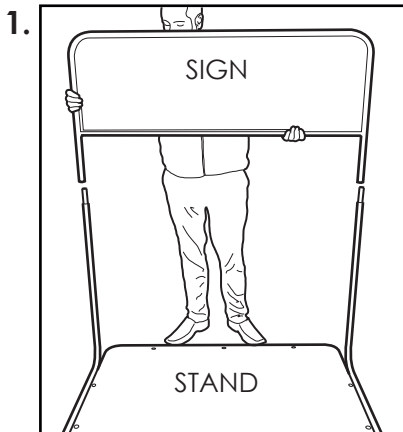
Extension Contents:

Extension x 2
SM6 x 10mm Screw x 2

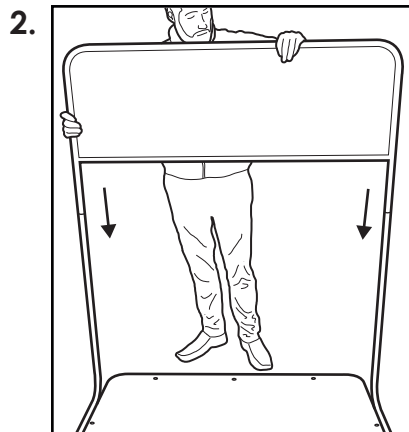
Tools Required:

M4 Allen Key x 1

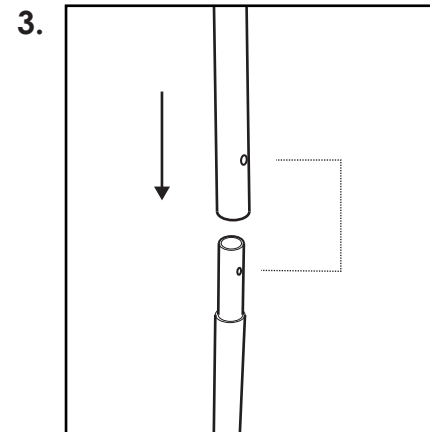
Recycling Stand



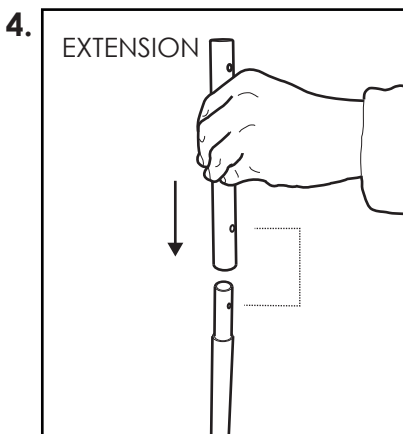
Position the Sign above the Stand and align the tubes



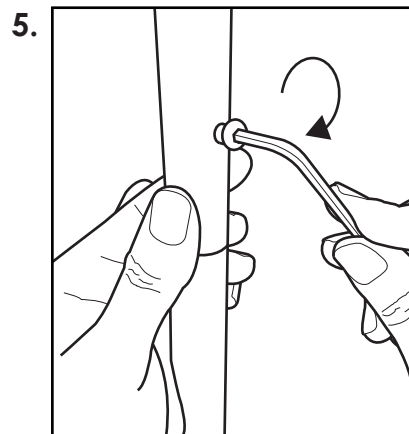
Locate the Sign by inserting the Stand tube into the sign tube



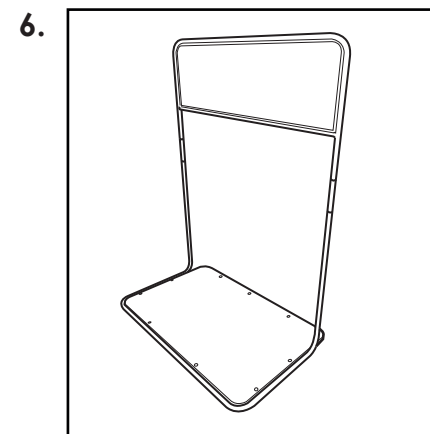
Ensure holes are aligned



For extended stand, insert the Extension tube between the Stand and Sign



Secure the Sign to the Stand (and Extension) using the M6 Screws



Position recycling bins onto Stand to complete the assembly



AND GRAMPIAN ARE TRADEMARKS OF GLASDON GROUP OR ITS SUBSIDIARIES IN THE U.K. AND OTHER COUNTRIES

- A planned maintenance schedule of regular inspection is recommended, replacing components as necessary.
- Replacement components are available direct from GLASDON UK LIMITED.
- GLASDON UK LIMITED cannot be held responsible for claims arising from incorrect installation, unauthorised modifications or misuse of the product.

Issue 1 February 2015 C000/0476 07B295-49
© Copyright 2015
Glasdon UK Ltd reserve the right to alter specifications without prior notice.



Glasdon

Glasdon U.K. Limited

Preston New Road
BLACKPOOL
Lancashire FY4 4UL
Tel: 01253 600410

Fax: 01253 792558
email: sales@glasdon-uk.co.uk
web: www.glasdon.com