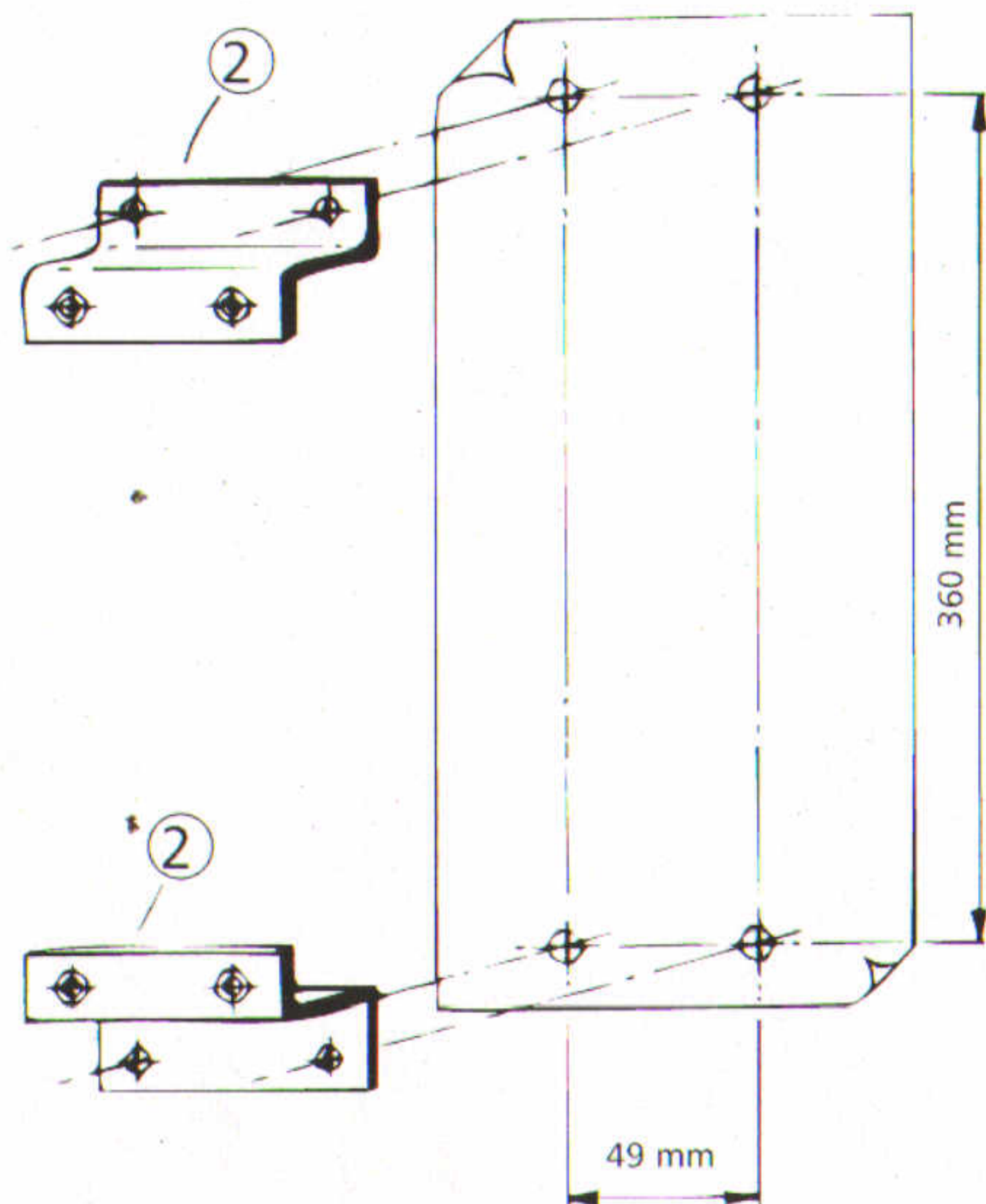


RETRIEVER 50™

Dog Waste Bin Installation Instructions

Permanent Wall Mounting

Diagram 1



Parts List

1) Bin and Key	x1
2) Wall Bracket	x2
3) M8 Mushroom Head screw	x2
4) Nylon Washer	x4
5) Wall screw	x4
6) Wall Plug	x4

Equipment Needed for Installation (Not included)

- Safety Glasses
- Screwdriver
- Appropriate Electric Drill
- Masonry drill Bit 8.0mm
- Tape Measure
- Marking Pen / Pencil
- Spirit Level.
- 15mm spanner

CAUTION - METAL CHUTE VERSION

During emptying or maintenance procedures ensure that the caution notice is observed when closing the hood section assembly.

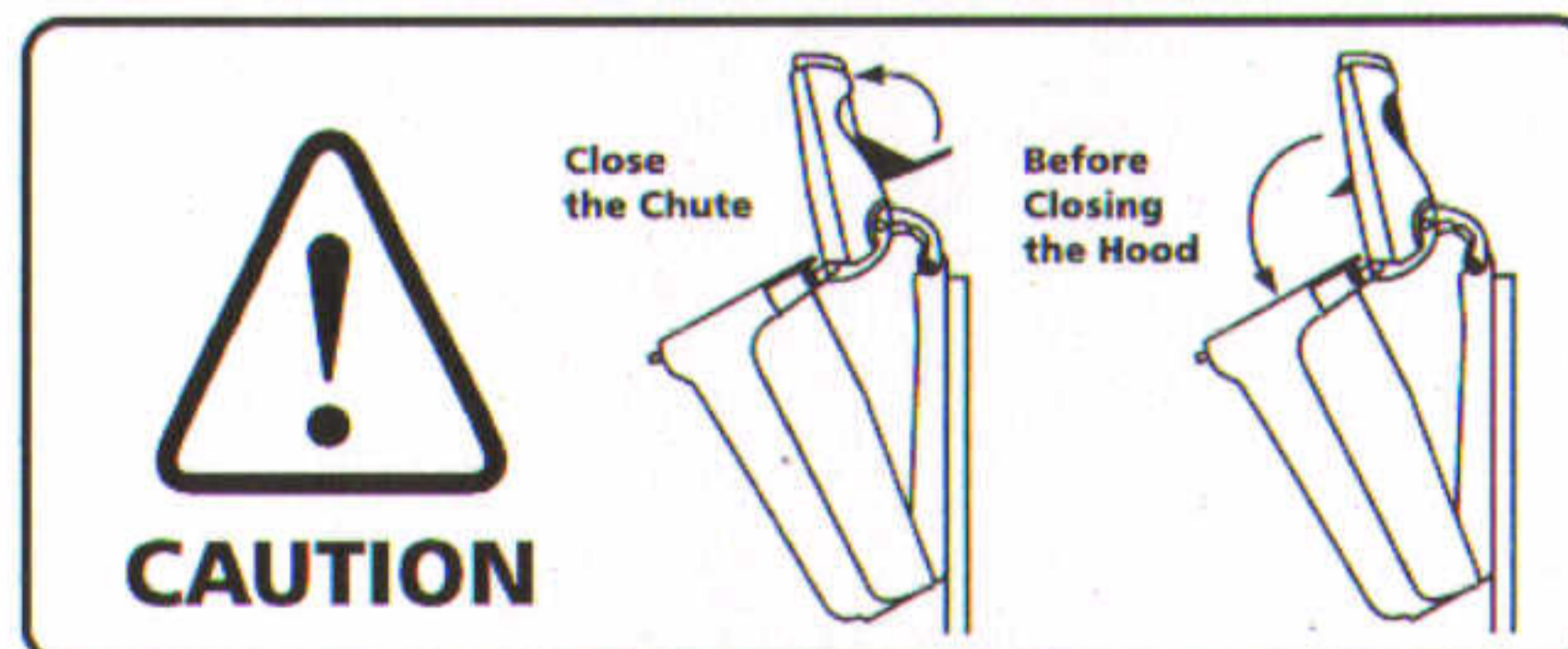
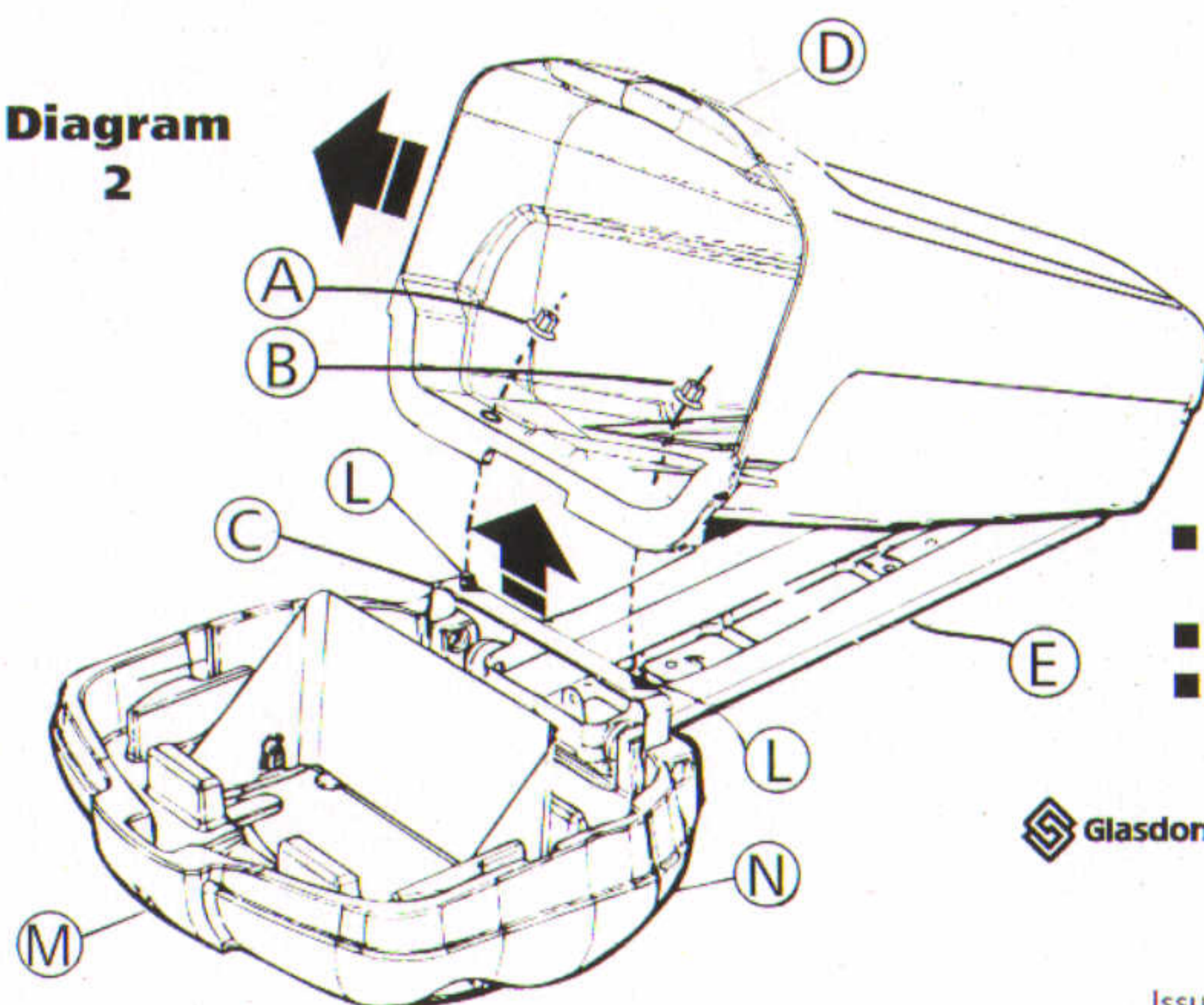


Diagram 2



- A planned maintenance schedule of regular inspection is recommended, replacing components as necessary.
- Replacement components are available direct from GLASDON UK LTD.
- GLASDON UK LTD. cannot be held responsible for claims arising from incorrect installation, unauthorised modifications or misuse of the product.

GLASDON AND RETRIEVER 50 ARE TRADEMARKS OF GLASDON GROUP OR ITS SUBSIDIARIES IN THE U.K. AND OTHER COUNTRIES.

Issue 2 March 2004 Stock no. C000/0258
© Copyright March 2004

GLASDON reserve the right to alter specification without prior notice.

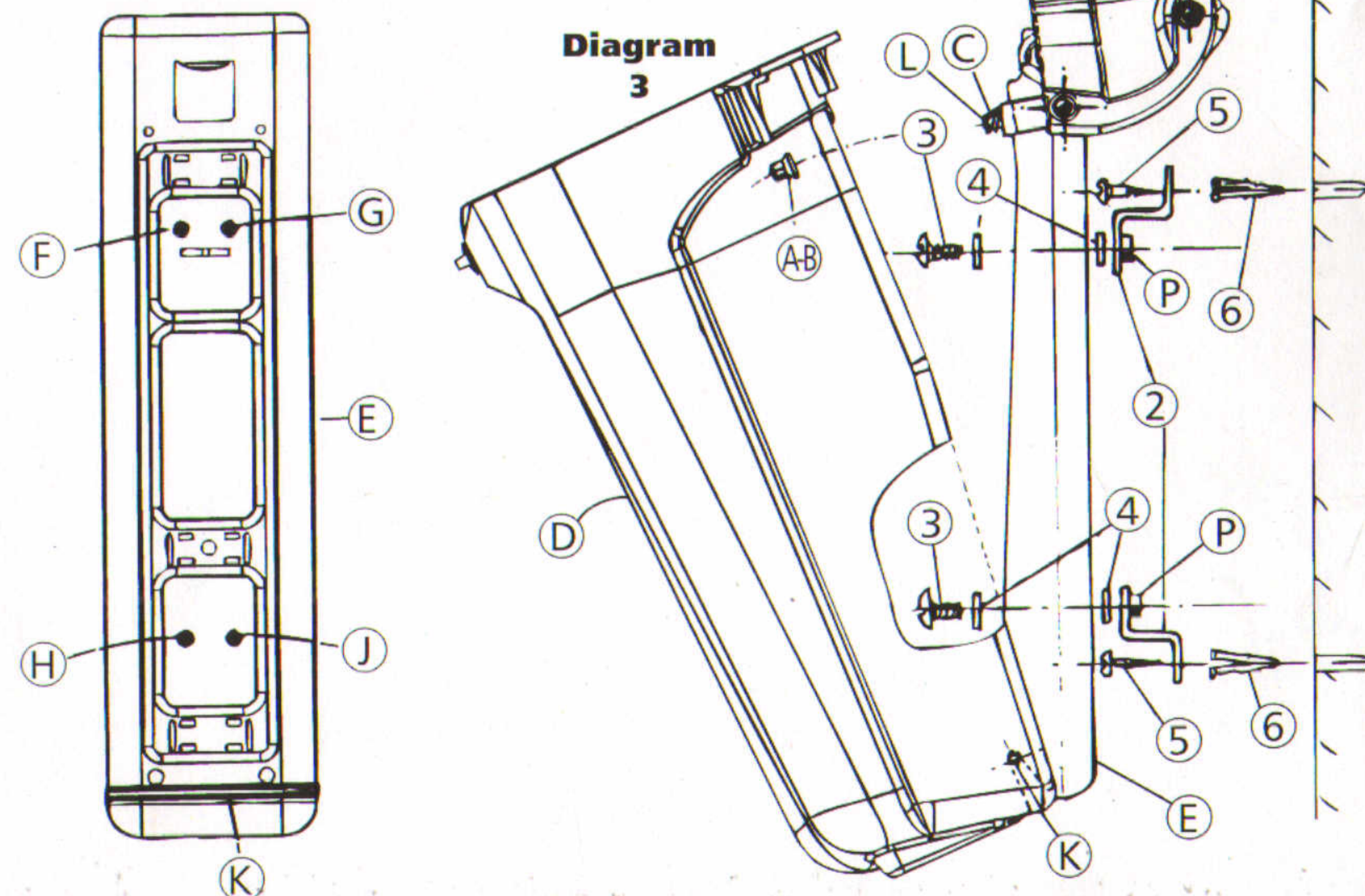
IMPORTANT NOTE: ENSURE THAT ALL RELEVANT PERSONNEL READ THE POINTS LISTED BELOW AND THAT A COPY IS PASSED ON TO THE STAFF INVOLVED WITH THE INSTALLATION

Method:- Wall mounting kit Installation

- 1** After deciding where to site the bin and at what height, offer the template provided on the back of the instruction sheet up to the wall ensuring it is vertical to the surface. Transfer all four hole positions for fixing wall plugs to the surface by marking through the sheet. As a check the dimensions are stated on the front of the sheet. See Diagram 1
- 2** Drill and plug the wall in four positions marked with an 8.0mm masonry drill bit ready to accept brackets (2). Using the wall screws (5) fix the top and bottom brackets into position in the correct orientation. See Diagram 3
- 3** To mount the bin onto the brackets it is first necessary to separate the bin base away from the hood and stainless steel backbone components. See Diagram 2

Separate the base (D) by unlocking the bin at point (M) in a horizontal position with the key provided. Release and remove both top fixings (A & B) with a 15mm spanner from inside the base, these hold the base to the retainer bar. (C) Pivot and lift the base (D) away from the metal backbone (E) and place base safely to one side.

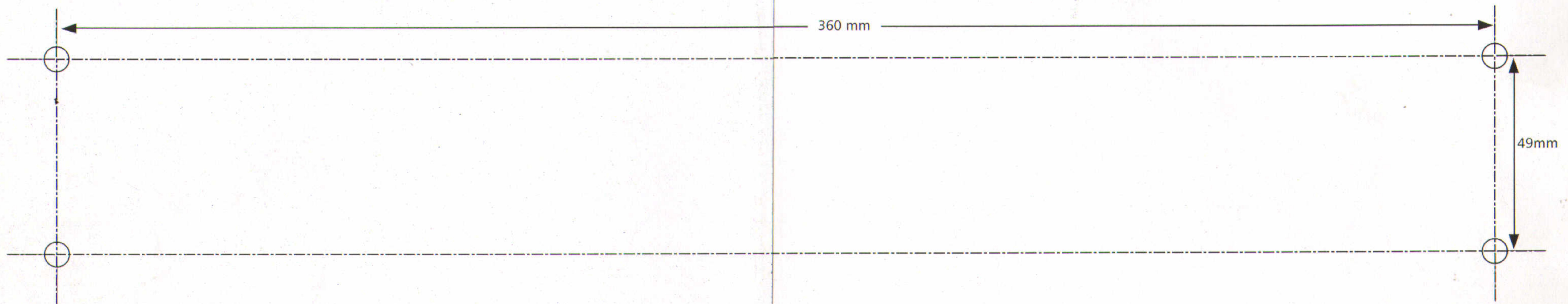
- 4** With assistance to support the hood component (N), align the metal backbone (E) up with the wall brackets (2) and secure with fixings (3 & 4) through holes (F,G, H & J) into threaded inserts (P) See Diagram 3.
- 5** Replace the base (D) by lifting the hood (N) clear and connecting the lower point feature with the pivot rod (K) within the metal backbone. Align both upper fixing hole points in the base with the retainer bar threads (L) in the hood and replace and secure fixings (A & B) .
- 6** The bin interior can now be prepared operationally for use depending upon liner choice. The hood will lock without the use of a key by lowering it onto the base and slamming shut.



RETRIEVER 50™

Dog Waste Bin Installation Instructions Wall Template For Permanent Wall Mounting

IMPORTANT NOTE: ENSURE THAT ALL RELEVANT PERSONNEL READ THE POINTS LISTED OVERLEAF AND THAT A COPY IS PASSED ON TO THE STAFF INVOLVED WITH THE INSTALLATION



Preston New Road
BLACKPOOL
Lancashire FY4 4UL
Tel: 01253 600410
Fax: 01253 792558
e-mail: sales@glasdon-uk.co.uk
web: www.glasdon.com

4747/GM/11.03