

BOLT DOWN NEOPOLITAN™ BOLLARD

INSTALLATION INSTRUCTIONS Adjustable Depth Concrete-in Fixing System

IMPORTANT NOTE:- ENSURE ALL RELEVANT PERSONNEL READ THE POINTS LISTED BELOW AND THAT A COPY IS PASSED ON TO STAFF INVOLVED WITH THE INSTALLATION.

SAFETY NOTE:- Please refer to the 'Manual Handling Operations Regulations 1992' during the handling of product and materials used for the installation.

PRODUCT COMPONENTS:

ITEM 1. Bollard	x 1
ITEM 2. Adjustable Concrete-in Fixing	x 4
ITEM 3. Spacer (M10 x 28mm)	x 4
ITEM 4. Washer (M10 x 30mm)	x 8
ITEM 5. Fixing Screw (M10 x 100)	x 4

TOOLS REQUIRED FOR INSTALLATION:

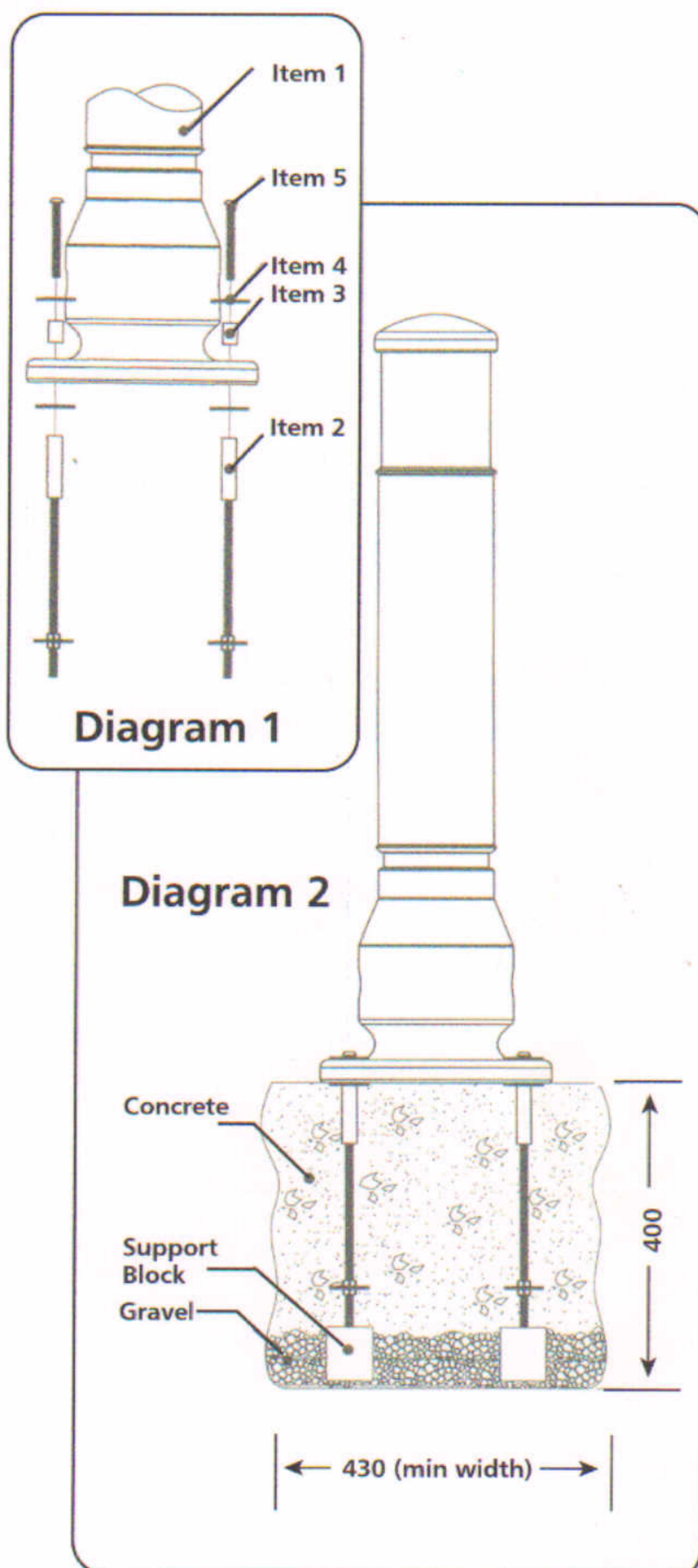
- 6mm Allen Key (included within kit)
- Equipment to Excavate Hole
- Concrete Mix (Fast Setting)
- Spirit Level

INSTALLATION:

- 1** Check for buried services before starting installation.
- 2** Prepare a hole 430mm x 430mm x 400mm deep.
- 3** Fully assemble and tighten all four Concrete-in Fixings (item 2) to the base of the bollard (item 1) as shown in the diagram 1.
- 4** If the depth is restricted to less than 400mm the fixing can be adjusted by moving the bottom washer (of item 2) up the Concrete-in Fixings and cutting the bar to the desired length. We would recommend using the same volume of concrete by increasing the width of the hole accordingly.
- 5** Place aggregate and support blocks in the base of the prepared hole.
- 6** Place the Concrete-in Fixing Assembly into the hole ensuring that the fixings rest on the support blocks and that the bollard is vertically level.
- 7** Remove the bollard and fixing assembly and pour the concrete mix into the prepared hole to the desired level.
- 8** Ensure the bollard is orientated correctly with regard to the site requirements. (i.e. Retro-Reflective Bands, Sign Faces and Personalisation).
- 9** Fully insert the Concrete-in Fixing Assembly into the concrete until the base of the bollard is flush with the top surface of the concrete (see diagram 2).
- 10** If required the top of the bollard foot detail can be sunk flush with the concrete/block paving to give a neat finish. **DO NOT** concrete over the fixing screw heads as this will impair the performance of the Rebound models and will prevent the bollard being replaced.

REPLACING YOUR BOLLARD

- 1** Remove the four Fixing Screws with the 6mm Allen Key provided (discard the Fixing Screws).
- 2** Remove the existing bollard and replace with your new bollard in the correct orientation aligning the holes in the bollard base with the existing Anchor Rawl Plugs.
- 3** Insert Spacer (item 3) into the four holes in the base of the bollard.
- 4** Position a Washer (item 4) onto the Fixing Screw (item 5) and insert one into each of the four holes.
- 5** Using the 6mm Allen Key provided, loosely tighten each of the Fixing Screws, and then fully tighten to complete the installation.



BOLT DOWN NEOPOLITAN™ BOLLARD

INSTALLATION INSTRUCTIONS Surface Mounting onto an Existing Concrete Foundation

IMPORTANT NOTE:- ENSURE ALL RELEVANT PERSONNEL READ THE POINTS LISTED BELOW AND THAT A COPY IS PASSED ON TO STAFF INVOLVED WITH THE INSTALLATION.

SAFETY NOTE:- Please refer to the 'Manual Handling Operations Regulations 1992' during the handling of product and materials used for the installation.

PRODUCT COMPONENTS:

ITEM 1. Bollard	x 1
ITEM 2. Anchor Rawl Plug	x 4
ITEM 3. Spacer (M10 x 28mm)	x 4
ITEM 4. Washer (M10 x 30mm)	x 4
ITEM 5. Fixing Screw (M10 x 100)	x 4

TOOLS REQUIRED FOR INSTALLATION:

- 6mm Allen Key (included within kit)
- 16mm Diameter Drill Bit
- Appropriate Electric Drill
- Hammer

INSTALLATION:

- 1** Position the bollard (item 1) centrally on the intended site and orientate it correctly with regard to the site requirements. (i.e. Retro-Reflective Bands, Sign Faces and Personalisation).
- 2** Using the bollard, mark out the four hole positions.
- 3** Before drilling ensure that the hole centres are a minimum of 100mm from the edge of the concrete foundation.
- 4** Drill the four holes with a 16mm diameter drill bit no less than 80mm deep (ensure holes are in the correct position by aligning the bollard and drilled hole centres).
- 5** Insert an Anchor Rawl Plug (item 2) into each of the four drilled holes, a hammer may be required to tap them flush to ground level.
- 6** Locate the bollard in position aligning the holes in the bollard with the Anchor Rawl Plugs ensuring the bollard is orientated correctly.
- 7** Insert Spacer (item 3) into the four holes in the base of the bollard.
- 8** Position a Washer (item 4) onto the Fixing Screw (item 5) and insert screw into each of the four holes.
- 9** Using the 6mm Allen Key provided, loosely tighten each of the Fixing Screws, and then fully tighten to complete the installation.

REPLACING YOUR BOLLARD

- 1** Remove the four Fixing Screws with the 6mm Allen Key provided (discard the Fixing Screws).
- 2** Remove the existing bollard and replace with your new bollard in the correct orientation aligning the holes in the bollard base with the existing Anchor Rawl Plugs.
- 3** Continue the installation from note 7 above.

IMPORTANT:-

ENSURE THAT NO FINISHING/HOT TOP SURFACE DRESSING MATERIALS COME INTO CONTACT WITH THE BASE PERIMETER OF THE BOLLARD.

- A planned maintenance schedule of regular inspection is recommended, replacing components as necessary.
- Replacement components are available direct from GLASDON.
- GLASDON cannot be held responsible for claims arising from incorrect installation, unauthorised modifications or misuse of the product.

MAINTENANCE

To clean the exterior of the product we recommend using a cold pressure wash with soap or alternatively hand washing it with a soft brush and cold soapy water, rinsing it afterwards to remove any residue.

