

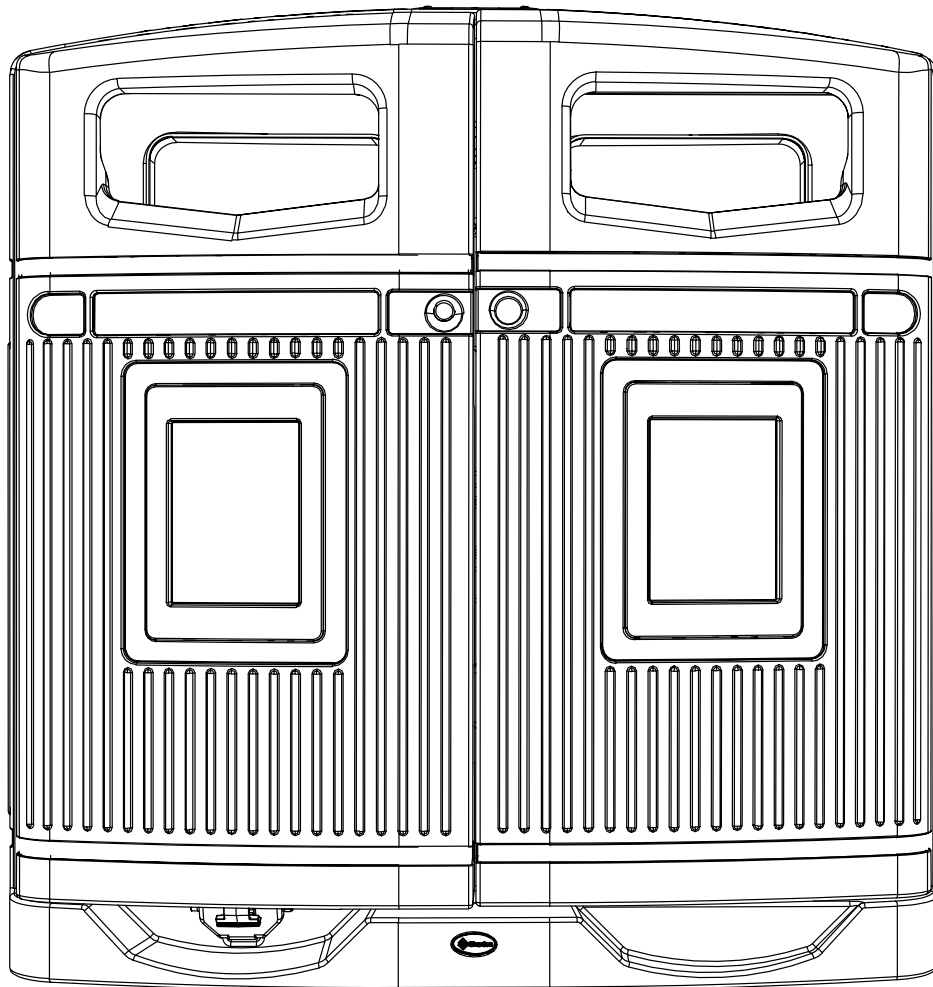
GLASDON JUBILEE™ DUO 220

OPERATING & INSTALLATION MANUAL

IMPORTANT NOTE:

The bin must be sited on level ground to ensure correct alignment of the doors and body. If you are not using Glasdon fixings you must ensure that 50mm diameter washers are used in order to secure the bin when ground fixing.

Ensure that all relevant personnel read the points listed within this leaflet and that a copy is given to staff involved with the installation and maintenance of this product.

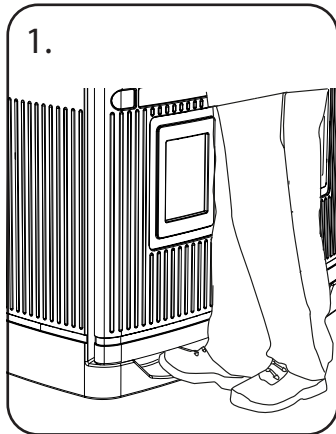


OPERATING & INSTALLATION MANUAL

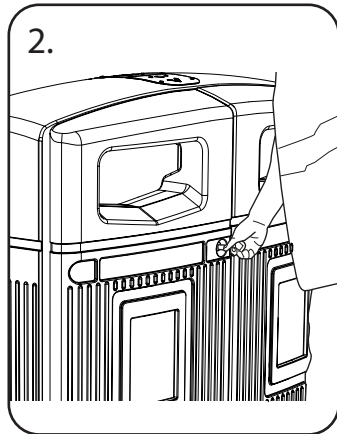
CONTENTS		PAGE
SECTION 1	OPERATING THE BIN	
	Open/Closing Keyed Version	3
	Open/Closing Keyless Version	3
	Removing Liner/Using Sack Retention	3
	Inserting/Removing Bait Box	4
	Inserting/Removing Poster	4
	Removing/Replacing Aperture Panels	4
	Ashtray Emptying	5
SECTION 2	CLEANING	
	Bin	5
	Liner Tray	5

SECTION 1 - OPERATING THE BIN

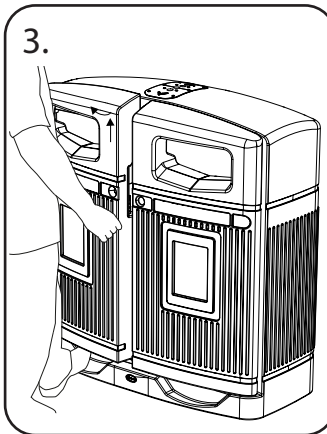
OPENING/CLOSING - KEYED VERSION



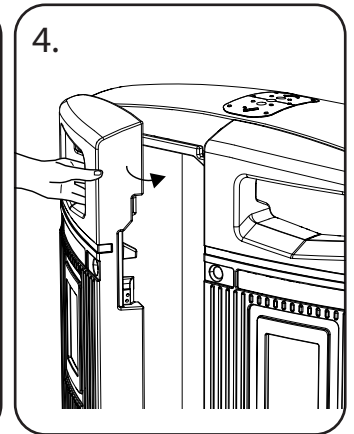
1. Place foot into base recess, on the left hand door as shown.



2. Insert key into keyhole. Turn key anticlockwise until it stops.

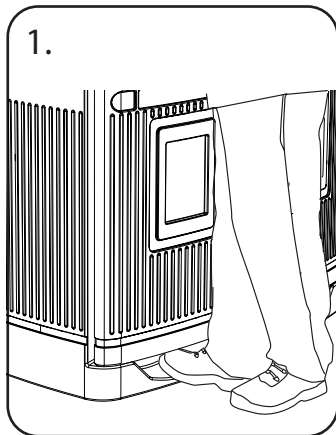


3. Using the foot recess and the key, lift the door and allow it to pivot open. Lift and pull to open the second door.

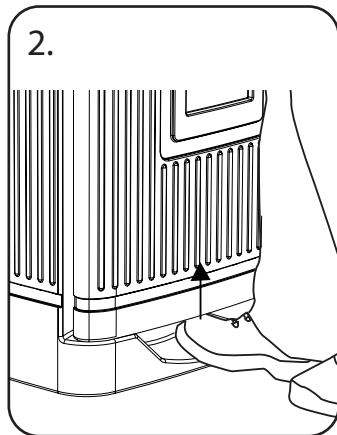


4. Slam to shut. Note: Right hand door must be shut first before slamming the left hand door shut.

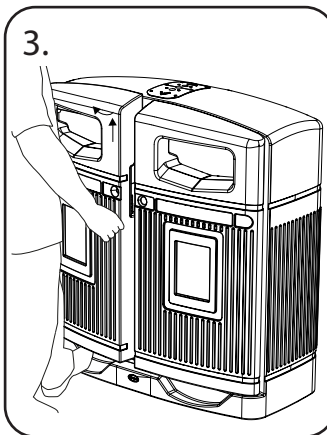
OPENING/CLOSING - KEYLESS VERSION



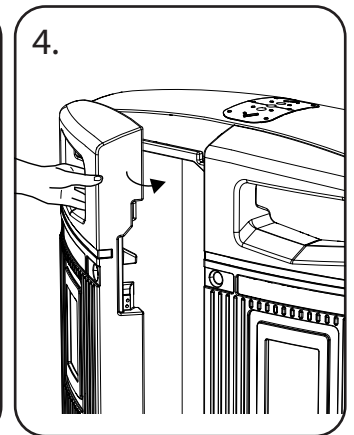
1. Place foot into base recess as shown.



2. Push pedal upwards with toe cap to operate foot pedal.

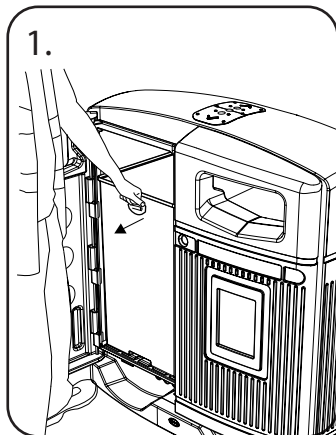


3. Using the top of the door and foot to assist, lift door and allow it to pivot open. Lift and pull to open the second door.

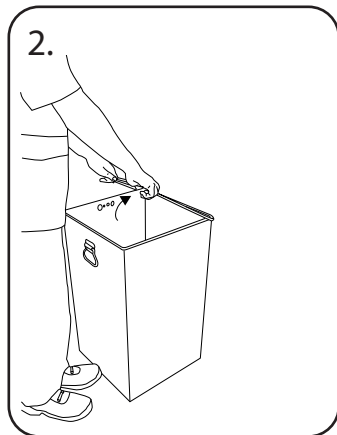


4. Slam to shut. Note: Right hand door must be shut first before slamming the left hand door shut.

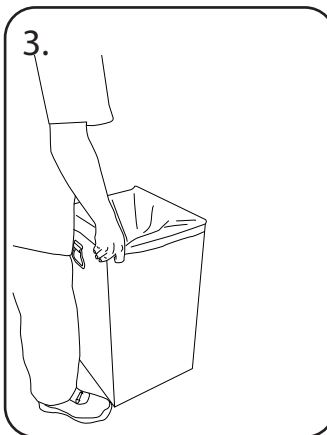
REMOVING LINER/USING SACK RETENTION (OPTIONAL EXTRA)



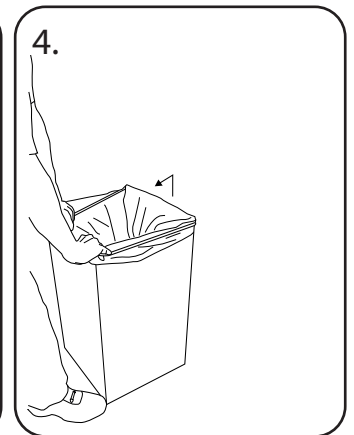
1. Remove liner by sliding out of bin.



2. Release elasticated sack band away from body for safety.



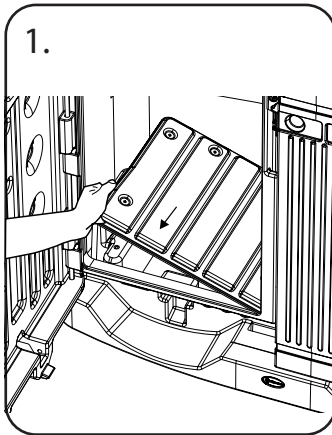
3. Insert plastic sack.



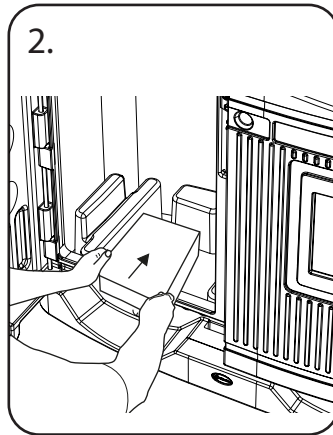
4. Reposition elasticated sack band to secure plastic sack.

REMOVING/INSERTING LINER TRAY AND FITTING BAIT BOX

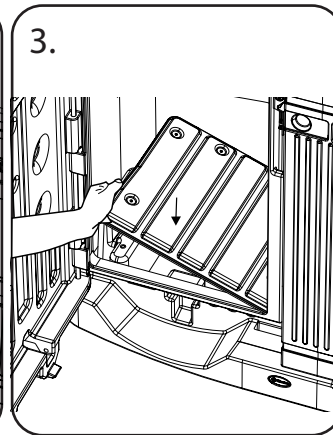
Glasdon Jubilee Duo 220L Bin.
Max. size bait box 280 x 280 x 130mm



1. Remove the liner tray by removing the fixings with a 4mm Allen key.



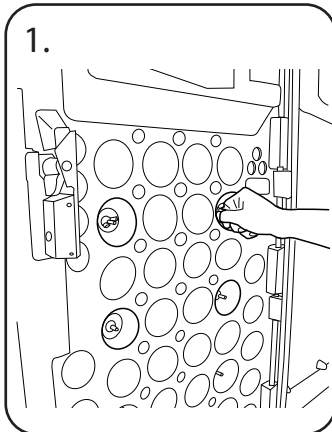
2. Insert bait box into position with the aperture facing the rear of the bin.



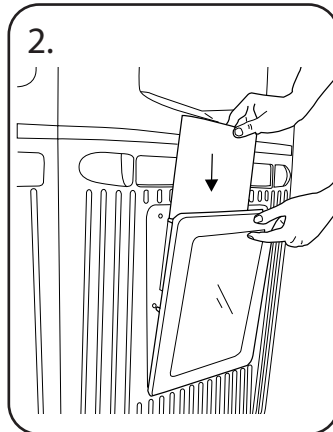
3. Reposition liner tray into bin base, insert fixings and tighten with the Allen key to secure.

INSERTING/REMOVING POSTER

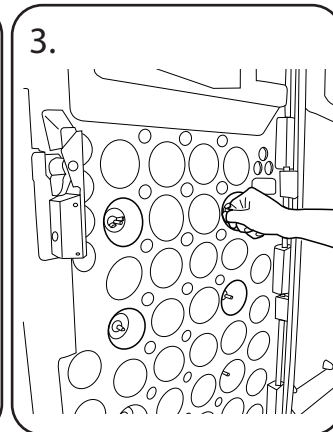
Accepts laminated A4 paper/
card with a visible viewing area
of 277mm x 191mm



1. Remove all six wingnuts and washers from the inside of the bin by unscrewing anticlockwise.

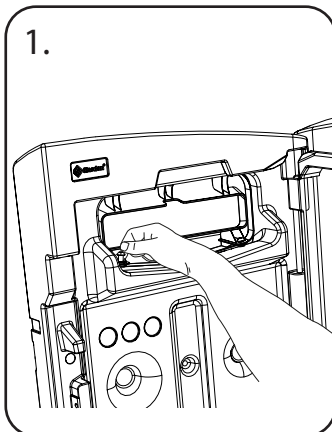


2. From outside the bin, remove the frame and insert/replace poster behind the clear panel.

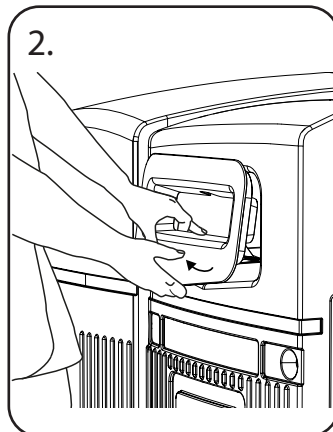


3. Place frame back into position and tighten wingnuts from inside the bin to secure.
IMPORTANT NOTE: Do not over-tighten wingnuts

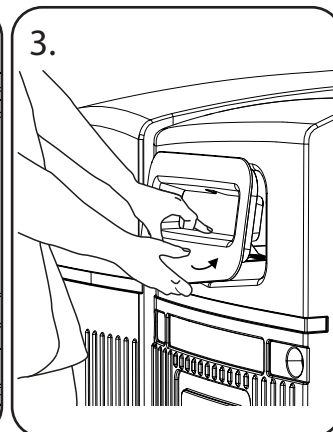
REMOVING/REPLACING APERTURE PANELS



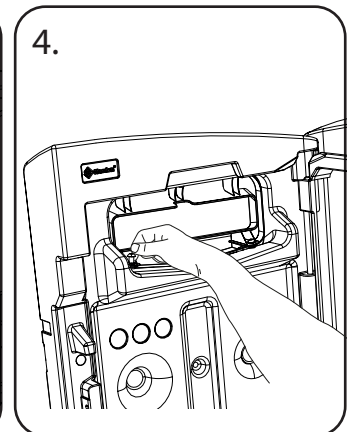
1. Using an M8 security Allen key loosen the screws on the aperture. Unscrew and remove all x3 screws and washers.



2. From outside the bin, pivot the panel forward from base then pull downwards to remove.

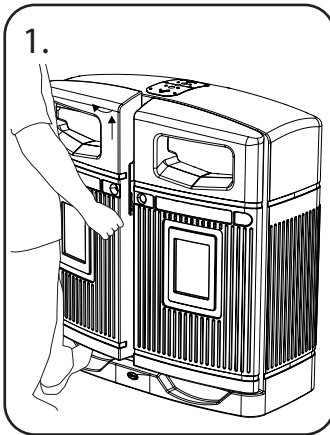


3. To insert a panel, position top bosses of the panel into holes in the body then push panel into position.

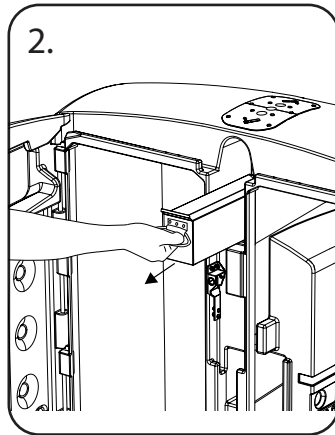


4. Replace washers and screws and tighten with an M8 security Allen key to secure.

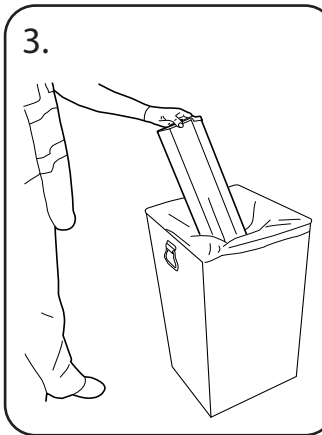
ASHTRAY OPERATING INSTRUCTIONS



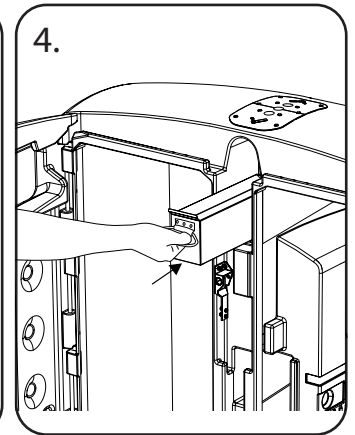
1. Open both doors as detailed previously. ('Opening/Closing')



2. Using the handle, slide the ashtray liner out. Use other hand to support the liner.



3. Empty contents of the liner.



4. Slide ashtray liner back into the bin compartment making sure the handle is facing towards you.

SAFETY NOTE:

Liner or contents may be hot so caution must be used when emptying the ashtray. Appropriate safety gloves and PPE should be worn.

SECTION 2 - CLEANING

CLEANING YOUR BIN

We would recommend a warm pressure wash with soap or alternatively hand wash with 10% solution of mild detergent in warm water using a soft bristle brush followed by a rinse with clean water.

Felt tip marker pens or paint may be removed from the Durapol using a proprietary graffiti remover. Carefully follow the instructions, particularly the guidelines covering safety. Ensure that all traces of chemicals are removed once the graffiti has been erased, then clean as detailed above.

Caution


Many graffiti removers can damage banding and stickers. Use only on the areas of the Durapol affected and do not use on the banding or graphics.

CLEANING LINER TRAY

To aid cleaning, the liner tray can be removed to empty any debris that may have fallen out of the liner. Reservoirs in the liner tray can be easily emptied and wiped clean.

MAINTENANCE

A planned maintenance schedule of regular inspection is recommended and components replaced when necessary.

 **Glasdon** , GLASDON JUBILEE ARE TRADEMARKS OR REGISTERED TRADEMARKS OF GLASDON GROUP OR ITS SUBSIDIARIES IN THE U.K. AND OTHER COUNTRIES.

- A planned maintenance schedule or regular inspection is recommended, replacing components as necessary.
- Replacement components are available direct from GLASDON.
- GLASDON cannot be held responsible for claims arising from incorrect installation, unauthorised modifications or misuse of the product.

Stock No. C000/1045 - DWG No. 07B381-13 Issue 2 - October 2023

© Copyright 07/2023

Glasdon UK Ltd reserve the right to alter specifications without prior notice.

 **Glasdon**[®]
Glasdon U.K. Limited
Preston New Road
BLACKPOOL
Lancashire
FY4 4UL
Tel: (01253) 600410
Fax: (01253) 792558
e-mail: sales@glasdon-uk.co.uk
web: www.glasdon.com