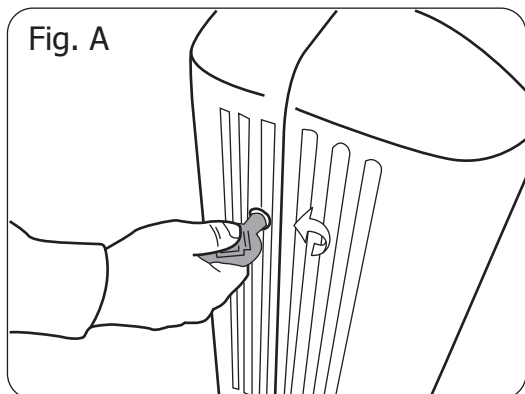


**INTEGRO CITY™ INSTRUCTION LEAFLET**

**NOTE:** Ensure that all relevant personnel read the points listed below and that a copy is passed on to staff involved with the installation. Please also refer to the 'Manual Handling Operations Regulations 1992' during the handling of the product and materials used for installation.

**OPERATION:**

Opening and Closing:

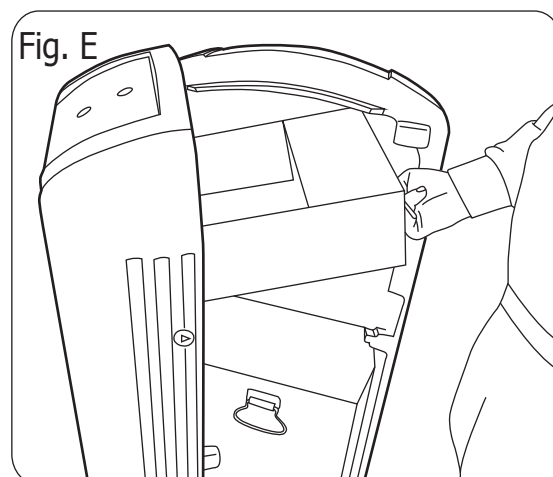
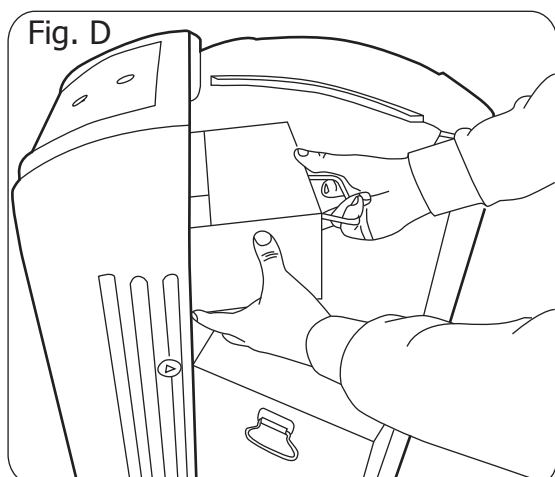


1. Insert key in to the key hole (Fig. A) and place left hand in the aperture hole. Turn the key anti-clockwise until it stops.
2. Using the aperture as a handle lift the door to allow it to swing open (Fig. B).
3. To close simply slam the door shut, ensuring the door drops into position. (Fig C)

---

**Removing The Ash Liner:**

1. Using the handle on the back of the ash liners gently lift the liner up and out until it slides over the retention bracket. (Fig D).
2. Once free pull the liner out of the back of the door and empty. (Fig. E).
3. To replace simply slide the liner back into position until it drops into place within the retention bracket.



## Removing The Waste Liner:

1. Open the unit as in the first section of the leaflet. Using the handle to the front lift the liner up and out of the unit and empty by tipping. (Fig F)
2. Once empty replace the liner in the space provided in the space provided in the base of the unit.



## INSTALLATION:

### Ground Fixing:

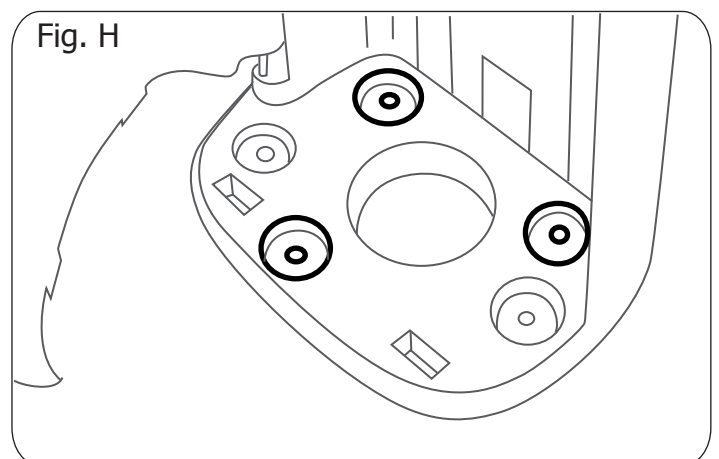
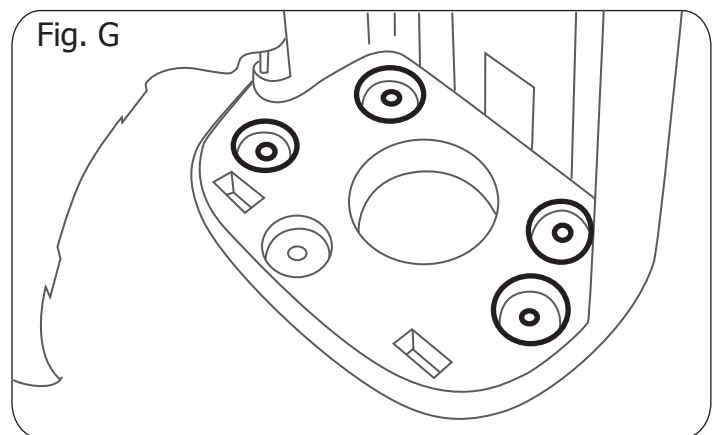
If using Glasdon fixings please follow the instructions supplied with the fixing kit.

Kits containing 4 bolts should be placed in the holes shown in Fig G.

Kits containing 3 bolts should be placed in the holes shown in Fig H.

If using non Glasdon fixings ensure that 50mm diameter washers are used on the base of the unit.

We strongly recommend that the bin is always installed into a concrete slab unless soft earth installation method is being used. Tarmac or block paved areas are not suitable fixing surfaces.



## Post Fixing:

### Kit Contents:

ITEM 1	'C' Bracket	x 2
ITEM 2	Steel Sleeve	x 4
ITEM 3	M8 x 20mm Washer	x 4
ITEM 4	M8 Screw	x 4

### Tools Required:

Pen/Scribe  
Hand Drill  
11mm Drill Bit  
5mm Allen Key

1. Using a 'C' Bracket (ITEM 1) as a guide, mark 4 holes to be drilled in the back of the bin, as shown in Fig. I.
2. Drill the 4 marked holes right through with an 11mm drill bit.
3. Insert a Sleeve (ITEM 2), a Washer (ITEM 3) and a Screw (ITEM 4) into each hole.
4. Tighten the screws in to the C Brackets with the 5mm Allen Key (Fig. J).

Banding can now be passed through the C Brackets to attach the Bin on to an existing post (Fig K).

If using Tespa or Tamtorque banding from Glasdon please follow the Instructions supplied with the Kit. If non Glasdon Banding is used follow the manufacturers instructions.

Fig. I

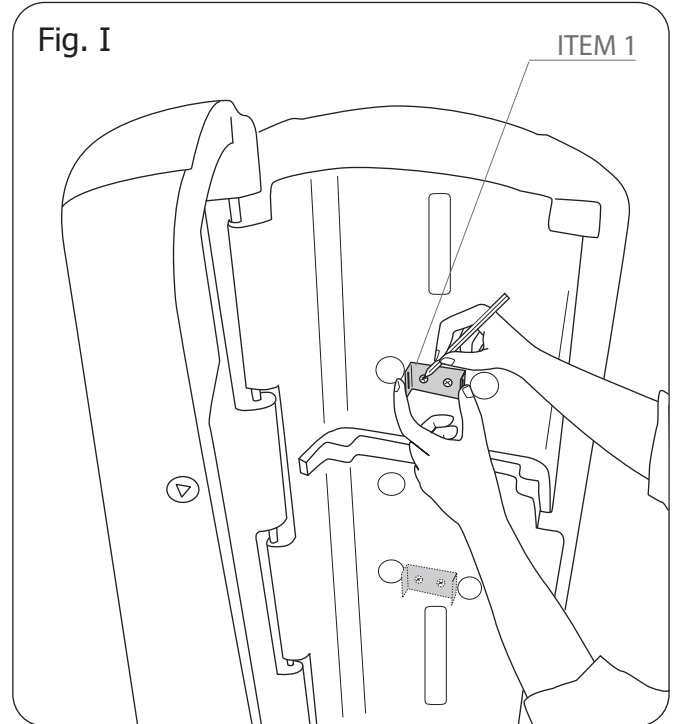


Fig. J

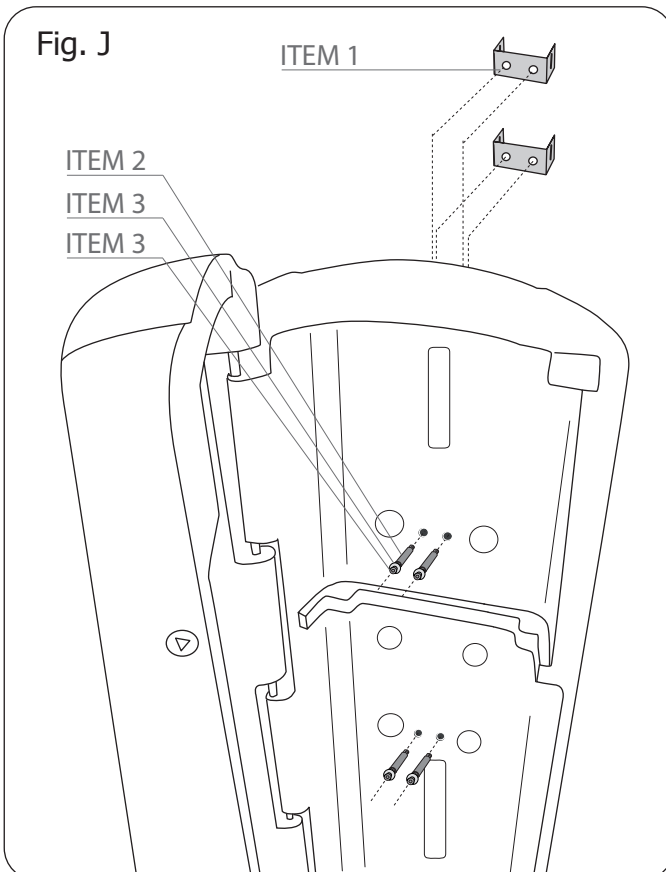
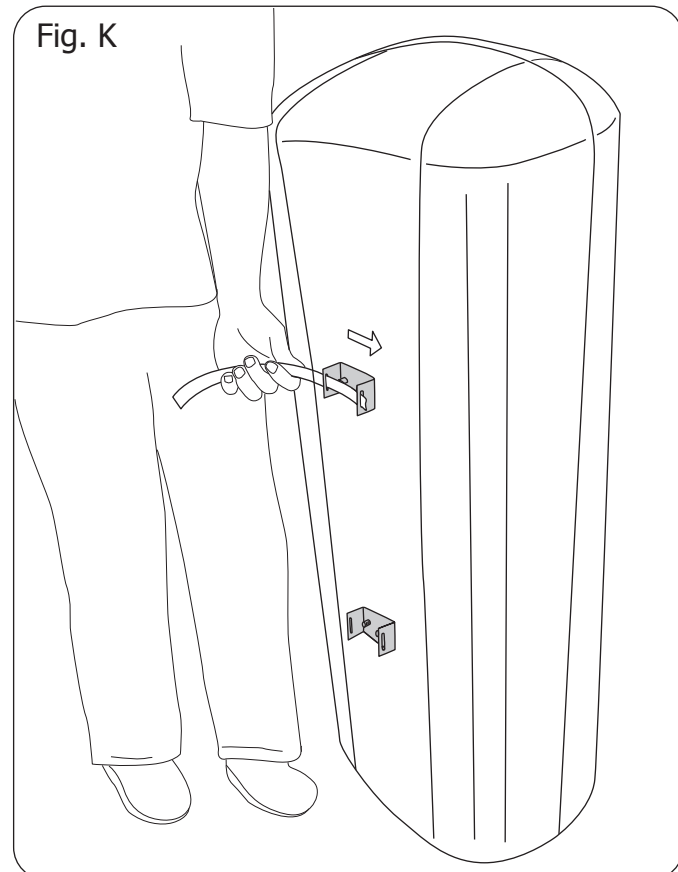


Fig. K



## WALL MOUNTING

### Kit Contents:

ITEM 1	M8 x 100mm Bolt	x 4
ITEM 2	Steel Sleeve	x 4
ITEM 3	M8 x 20mm Washer	x 4

### Tools Required:

M6 x 120mm Masonry Drill Bit  
Hand Drill  
12mm Torque wrench

1. Drill through the 4 points in circular recesses in the back internal wall of the bin as shown in Fig. L.
2. Hold the bin against the wall at the desired height and mark the 4 off hole positions.
3. Drill the 4 marked holes with the M6 Drill Bit (Fig. M).
4. Remove any dust or debris from the 4 holes.
5. Insert bolts (Item 1), sleeves (ITEM 2) and washers (Item 3) through the bin and into the wall (Fig. N). Apply pressure and screw into the wall with a 12mm wrench. Tighten to 25Nm.

**NOTE:** Suitable for use in concrete, brick, block and stone walls. Any other walls should be individually assessed and the appropriate fixings utilised with 20mm diameter washers.

Fig. L

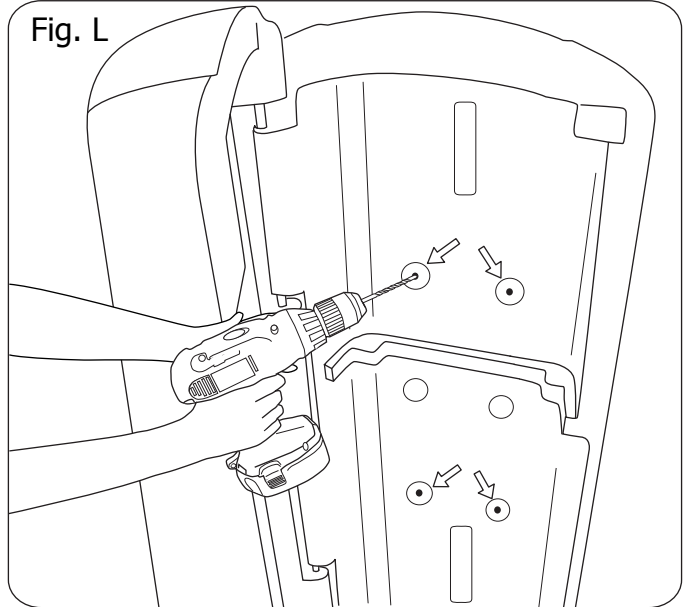


Fig. M

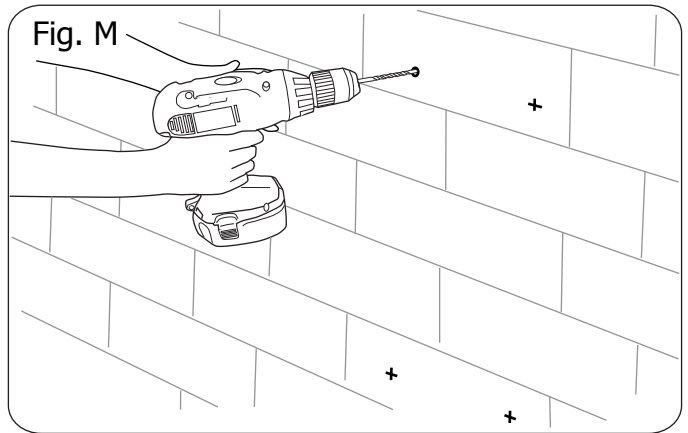
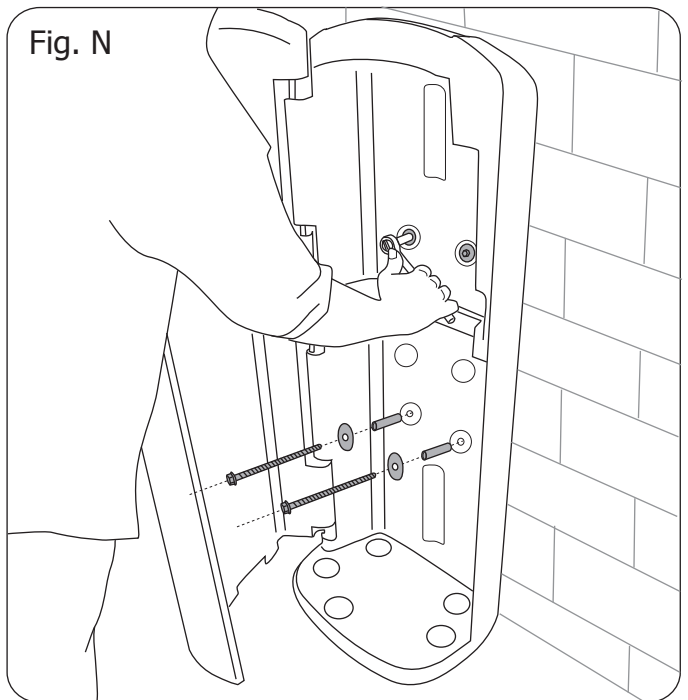



Fig. N



 **Glasdon** AND INTEGRO ARE TRADEMARKS OF GLASDON GROUP AND ITS SUBSIDIARIES IN THE U.K. AND OTHER COUNTRIES.

Replacement components are available direct from GLASDON.

GLASDON cannot be held responsible for claims arising from incorrect installation, unauthorised modifications or misuse of the product.

Issue 1 May 2012 C000/00423

© Copyright 2012

Glasdon U.K. Ltd reserves the right to alter specifications without prior notice.

 **Glasdon**

Glasdon U.K. Limited  
Preston New Road  
BLACKPOOL

Lancashire FY4 4UL

Tel: 01253 600410

Fax: 01253 792558

E-mail: [sales@glasdon-uk.co.uk](mailto:sales@glasdon-uk.co.uk)

Web: [www.glasdon.com](http://www.glasdon.com)