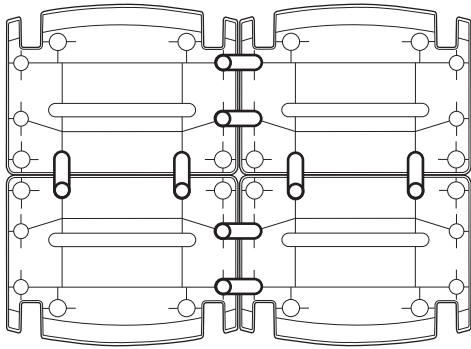


CONNECTOR INSTRUCTION LEAFLET

IMPORTANT NOTE: ENSURE THAT ALL RELEVANT PERSONNEL READ THESE INSTRUCTIONS PRIOR TO INSTALLATION

1.

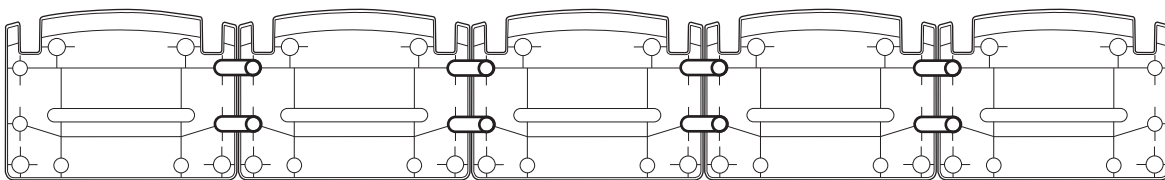


INCLUDED WITHIN THIS KIT ARE 8 OFF CONNECTOR STRIPS

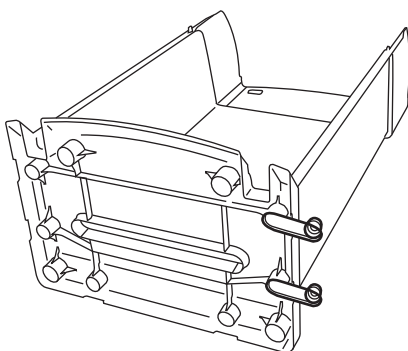
Diagram 1 - Illustrates how 8 Connector Strips can secure 4 Nexus 100 units together in a bank.

Diagram 2 - Illustrates how 8 off Connector Strips can secure 5 Nexus 100 units side by side.

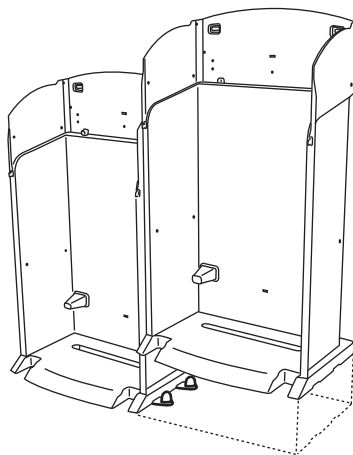
2.



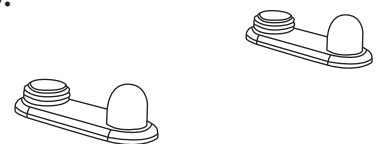
3.



4.



5.



6.

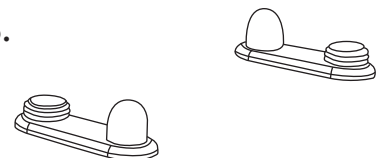


Diagram 3 - To attach Connector Strip to the base of the Nexus 100 simply push fir tree into the bosses located on the underside of the unit near to the sides and rear (Connector to protrude through recess in unit).

Diagram 4 - To locate additional Nexus 100 units, align and slot bosses onto Connector Strip.

Diagram 5 - Connector Strips in this orientation for alignment and easy removal.

Diagram 6 - Connector Strips in this orientation for alignment and added security.