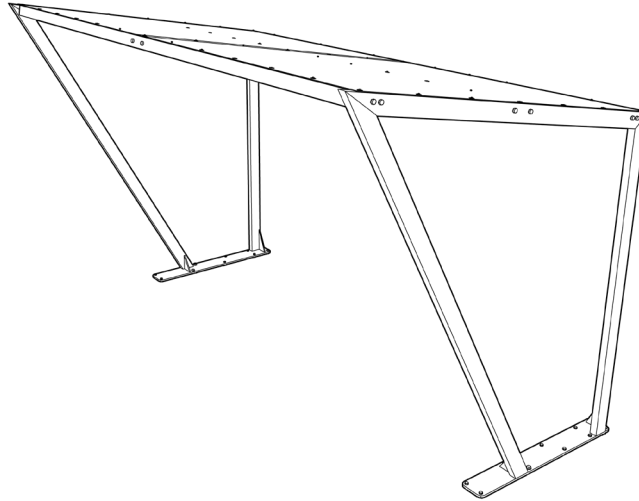


# Strada™ Cycle Shelter

## INSTALLATION INSTRUCTIONS

**IMPORTANT NOTE: ENSURE THAT ALL RELEVANT PERSONNEL READ THESE INSTRUCTIONS PRIOR TO USE**

Please also refer to the 'Manual Handling Operations Regulations 1992' during the handling of the product and materials used for installation. Glasdon recommends that a full Health and Safety analysis is carried out prior to installation.



### GROUND FIXING KIT CONTENTS

ITEM 1 - Self Tapping Anchor Bolt (M10 x 100mm)	x12
ITEM 2 - Washer (M12 x 23mm)	x12
ITEM 3 - Self Tapping Anchor Bolt (M16 x 130mm)	x8
ITEM 4 - Washer (M16 x 30mm)	x8

### TOOLS/EQUIPMENT REQUIRED:

High Impact Drill  
 10mm Masonry Drill Bit  
 16mm Masonry Drill Bit  
 17mm Socket  
 24mm Socket  
 Socket Wrench or Torque Wrench  
 Spiral Brush or Air Blower (optional)

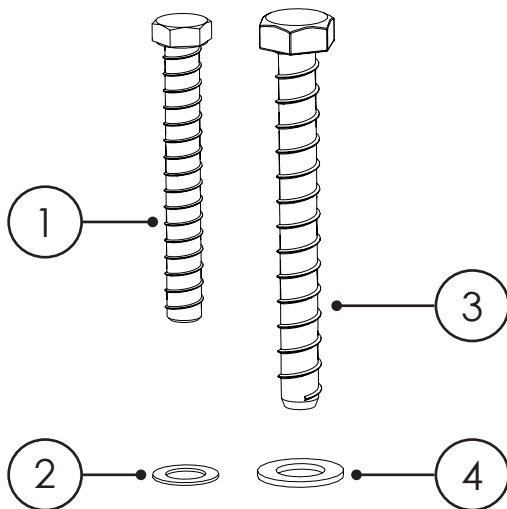
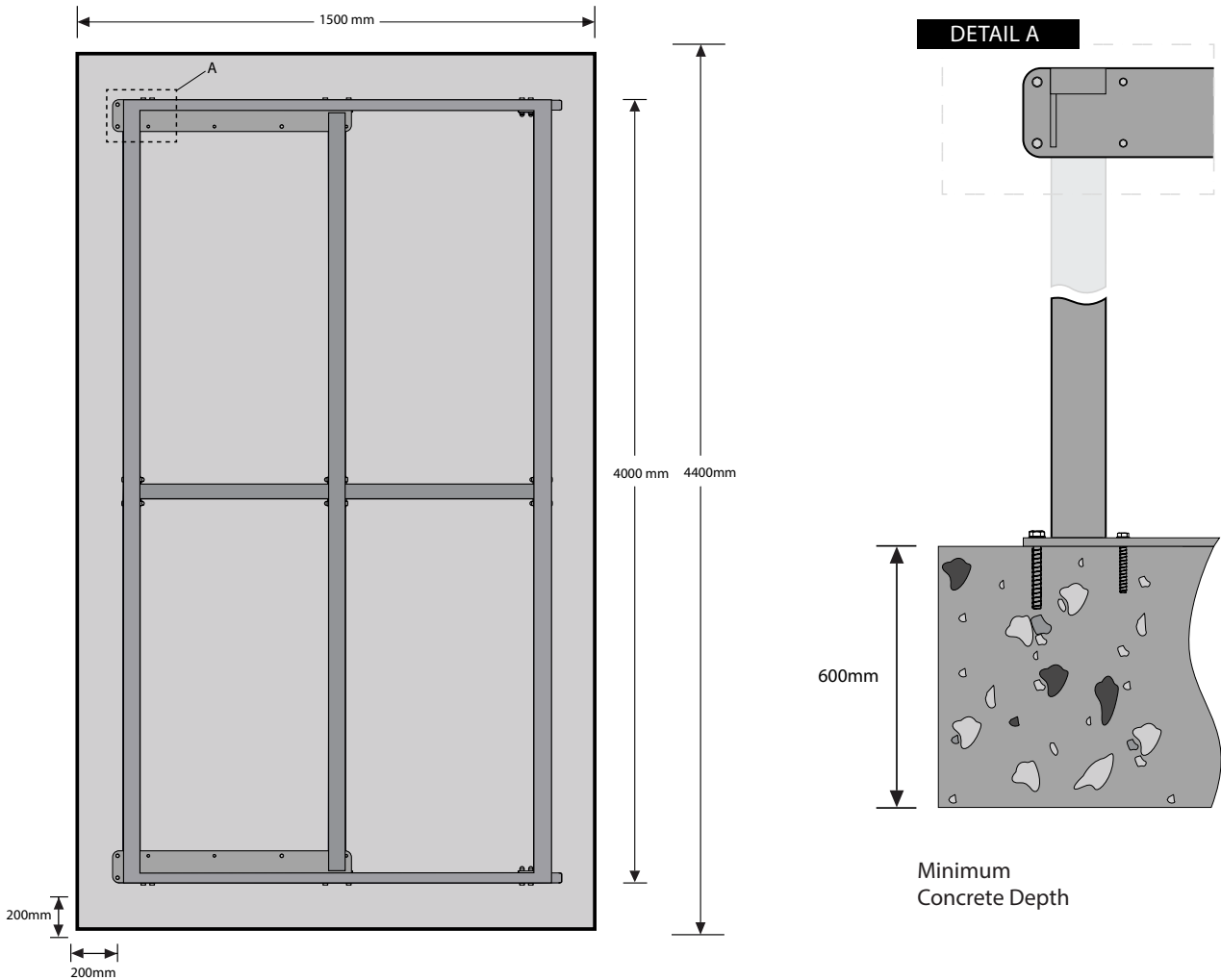


DIAGRAM NOT TO SCALE

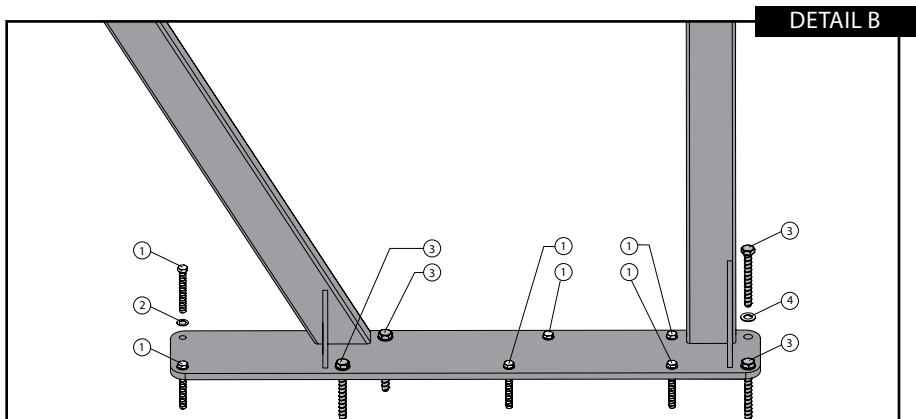
# INSTALLATION - GROUND FIXING INSTRUCTIONS

## Concrete Surface Mount

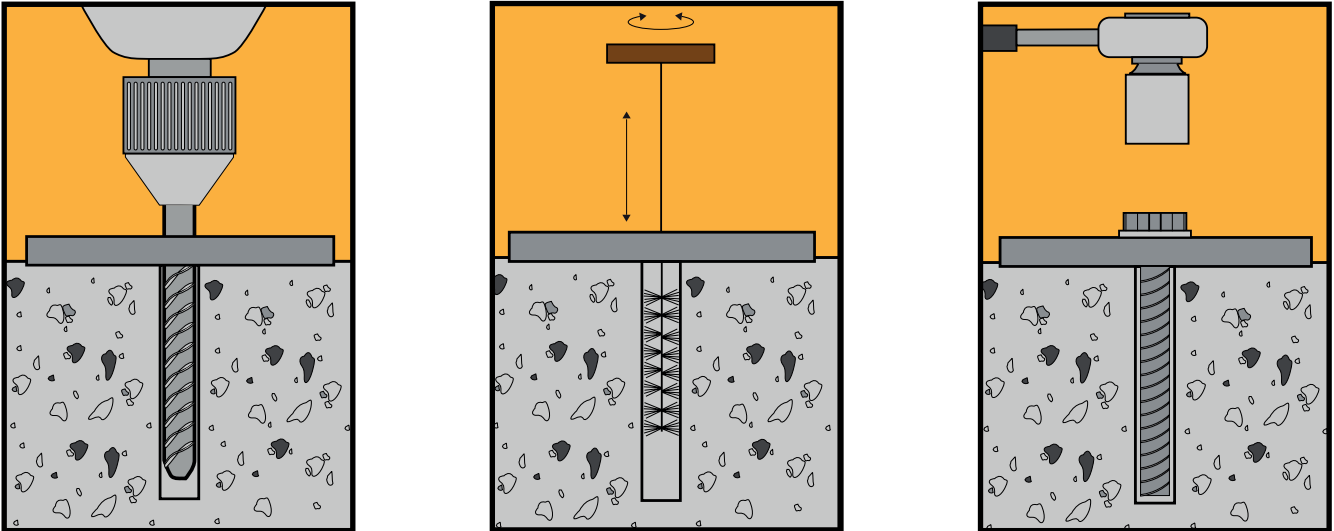
Note: Once lowered into position, with the shelter still supported by the crane lifting slings, remove the yellow transport frames and drill holes into two of each outer fixing points (at least one per side), bolt down at least one fixing per side to ensure the shelter is stable. Remove the slings and finish the installation.



Minimum distance from any edge of the concrete.



*For optimum fixing performance the following procedure is recommended.*



The base should be flat, steel float finished, level and square and preferably be raised slightly above the surrounding ground level.

The concrete base should be a minimum 25N/20mm mix strength equivalent of BS. 5328, Section 2, Part 10, Grade C25.


Using the supplied unit as a template, drill through (**See Detail View A and B**) base fixing positions in each of the feet with a 10mm masonry drill to a minimum depth of 120mm and a 14mm masonry drill to a minimum depth of 120mm respectively.

Clean drill hole thoroughly using a spiral brush and remove all dust using a blow out pump, air line or similar.

Insert the ground fixing and washer into the drilled hole and tighten with socket and wrench.

IMPORTANT NOTE: PLEASE ENSURE THAT ALL RELEVANT PERSONNEL READ THE POINTS LISTED WITHIN THIS LEAFLET AND THAT A COPY IS GIVEN TO STAFF INVOLVED WITH THE INSTALLATION AND MAINTENANCE OF THIS PRODUCT.

SAFETY NOTE: PLEASE ALSO REFER TO THE 'MANUAL HANDLING OPERATIONS REGULATIONS 1992' DURING THE HANDLING OF THE PRODUCT AND MATERIALS USED FOR INSTALLATION. GLASDON RECOMMENDS THAT A FULL HEALTH AND SAFETY ANALYSIS IS CARRIED OUT PRIOR TO INSTALLATION.

 **Glasdon** AND STRADA ARE TRADEMARKS OR REGISTERED TRADEMARKS OF GLASDON GROUP OR ITS SUBSIDIARIES IN THE U.K. AND OTHER COUNTRIES.

- A planned maintenance schedule or regular inspection is recommended, replacing components as necessary.
- Replacement components are available direct from GLASDON.
- GLASDON cannot be held responsible for claims arising from incorrect installation, unauthorised modifications or misuse of the product.

Stock No. C000/1039 - DWG No. 12B099-13 Issue 2 - October 2023.

© Copyright 04/2022

Glasdon UK Ltd reserve the right to alter specifications without prior notice.



**Glasdon U.K. Limited**  
Preston New Road  
BLACKPOOL  
Lancashire  
FY4 4UL  
Tel: (01253) 600410  
Fax: (01253) 792558  
e-mail: sales@glasdon-uk.co.uk  
web: www.glasdon.com