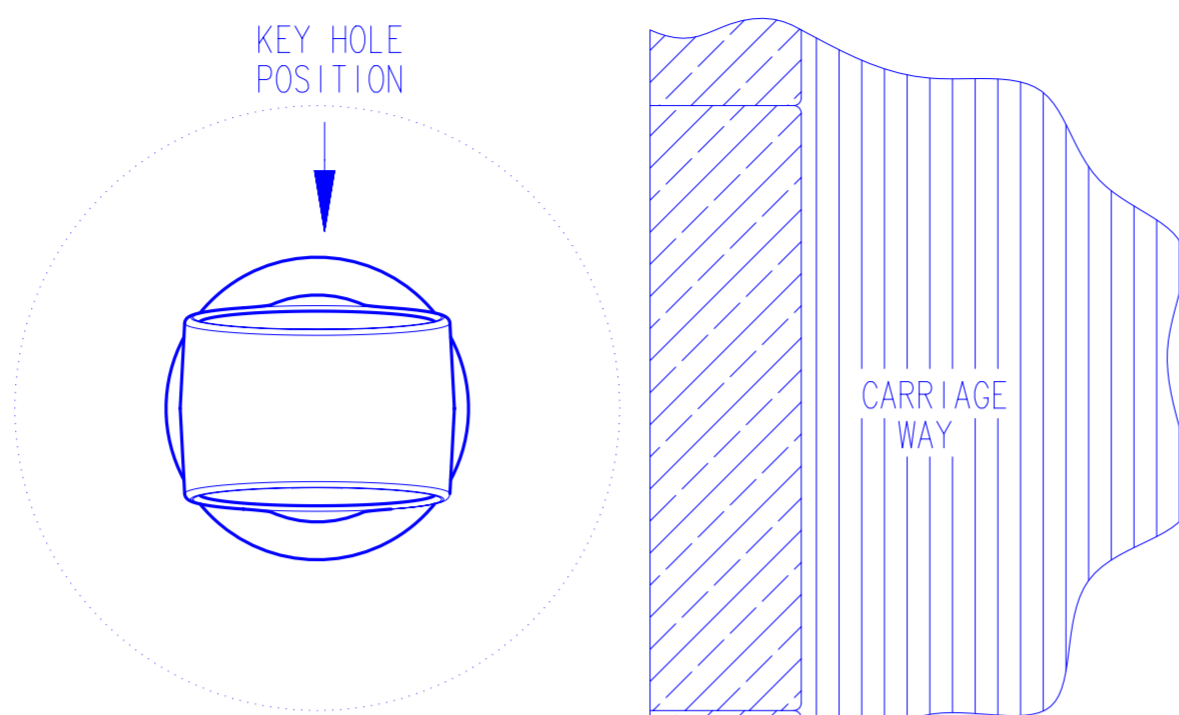
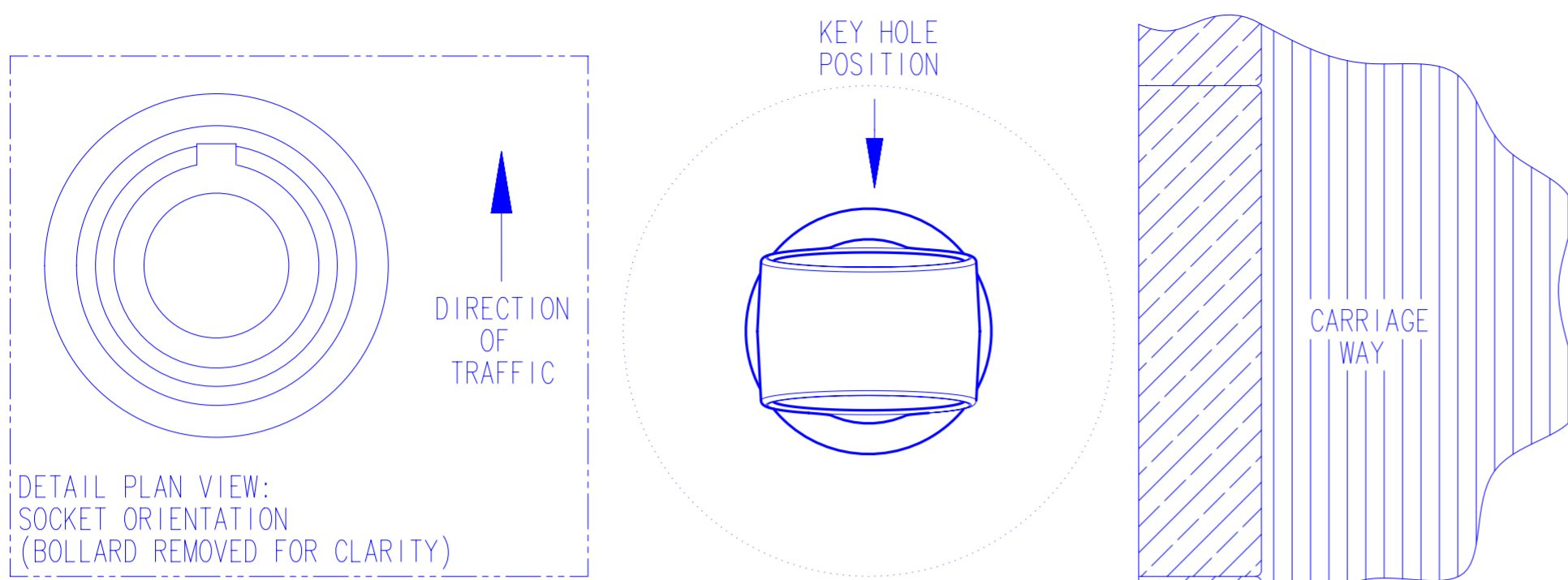
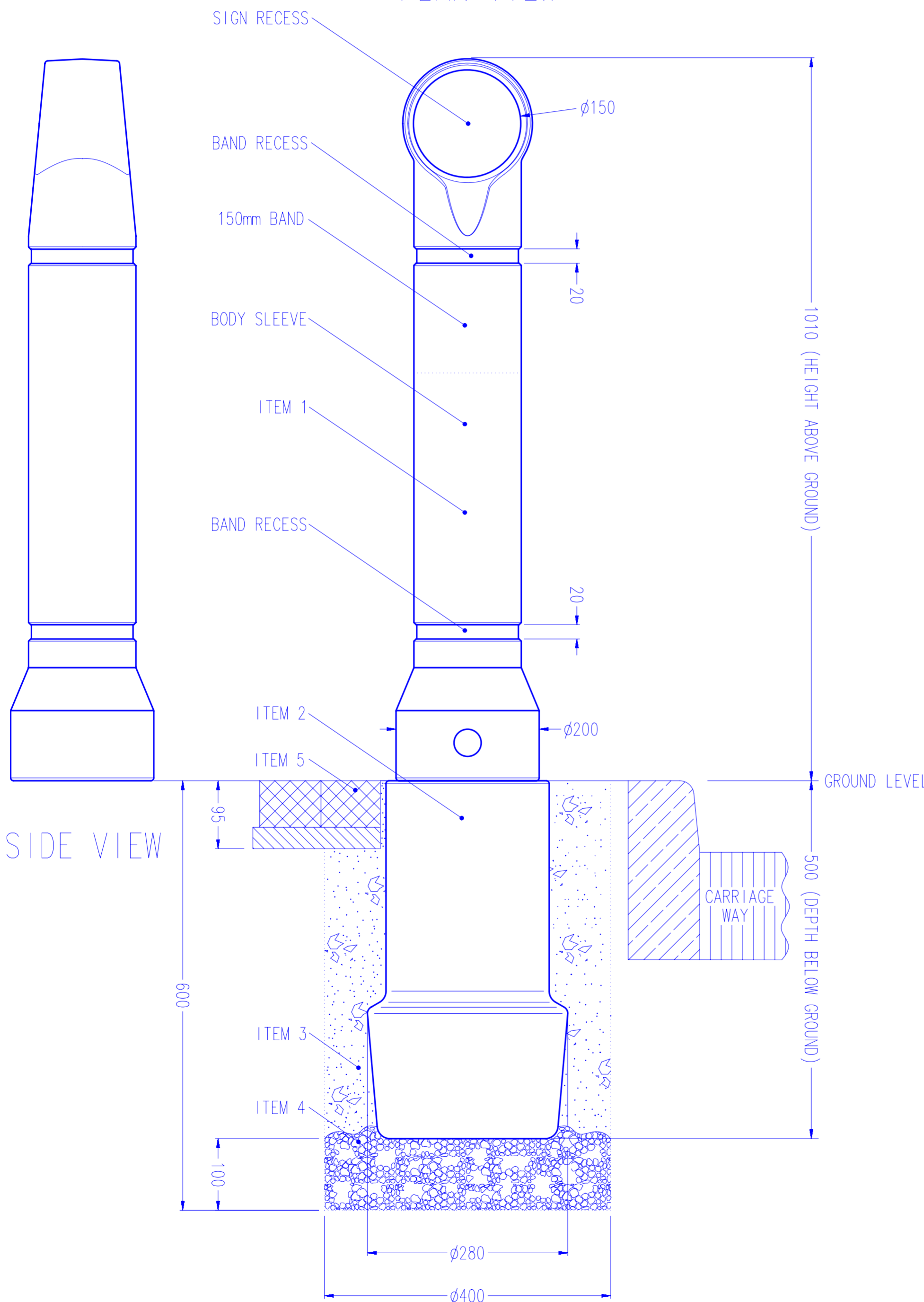


# MODEL SPECIFICATION

## MINI-ENSIGN™ BOLLARD - SOCKETED



PLAN VIEW



SIDE VIEW

FRONT VIEW

### PRODUCT INFORMATION:

- WEIGHT - BOLLARD 5.0 Kg  
SOCKET 3.8 Kg  
TOTAL 8.8 Kg
- MATERIAL - DURAPOL®
- COLOURS - MILLSTONE, SANDSTONE, BLACK, AIRCRAFT GREY, STONE AND WHITE
- DIMENSIONS - ALL DIMENSIONS IN MM UNLESS OTHERWISE STATED.

### INSTALLATION GUIDE:

- ITEM 1 - REMOVABLE BOLLARD SOCKET COMPLETE WITH LOCKING MECHANISM
- ITEM 2 - PERMANENT GROUND SOCKET
- ITEM 3 - QUICK SETTING CONCRETE (eg. GRADE QC10)
- ITEM 4 - GRAVEL
- ITEM 5 - BLOCK PAVING
- SITE SOCKET IN ORIENTATION SHOWN IN DETAIL PLAN VIEW TO ENSURE CORRECT POSITIONING OF KEY HOLE. ENSURE REFLECTIVE BANDING IS IN THE CORRECT ORIENTATION - RED TOWARDS ONCOMING TRAFFIC (YELLOW ON CENTRAL RESERVATION).
- RECOMMENDED HOLE SIZE  $\phi 400\text{mm} \times 600\text{mm}$  DEEP. THIS BOLLARD IS ALSO AVAILABLE WITH SURFACE MOUNT FIXINGS, CONCRETE-IN ANCHOR FIXINGS OR GUARDSMAN™ ANTI-RAM RAID FIXING. WE RECOMMEND THE SOCKET IS BEDDED ON GRAVEL FOR DRAINAGE.
- COVER SOCKET TO AVOID BUILD UP OF CONCRETE/GRAVEL IN SOCKET, WHICH WILL PREVENT BOLLARD FROM SEATING AND LOCKING. AVOID CONTACT WITH HOT TARMACADAM AS THIS WILL SERIOUSLY IMPAIR THE PERFORMANCE OF THE BOLLARD.
- WE RECOMMEND INSTALLING WITH QUICK SETTING CONCRETE (eg. GRADE QC10) BUT EXACT INSTALLATION REQUIREMENTS SHOULD BE ASSESSED FROM A SITE SURVEY.

### OPTIONAL PARTS:

- PEDESTRIAN SAFETY. A LOCKING BLANKING CAP IS AVAILABLE TO COVER THE SOCKET WHEN THE BOLLARD IS REMOVED.
- ADDITIONAL SECURITY. A KEY HOLE PLU MAY BE FITTED TO THE BOLLARD TO HELP PREVENT UNAUTHORISED REMOVAL OF THE BOLLARD. RETROREFLECTIVE AND NON-REFLECTIVE SIGNFACES ARE AVAILABLE.

### STANDARD SIGNFACES:

- 2 x  $\phi 150\text{mm}$  SIGNFACE ALUMINIUM BACKED RETROREFLECTIVE BANDING (TO BS EN 12899-1:2007, FIXED, VERTICAL ROAD TRAFFIC SIGNS) OR DECORATIVE BANDING MAY BE FITTED.

### STANDARD BANDING SETS:

- 2 x 20mm BANDS (WITHIN THE 2 BAND RECESSES).
- 1 x 150mm BAND.
- 1 x 480mm BODY SLEEVE.
- SPARE BOLLARDS, SOCKETS, KEYS, SIGNFACES AND BANDING ARE AVAILABLE.
- ALL RETROREFLECTIVE MATERIALS SUPPLIED BY GLASDON ARE AS RECOMMENDED IN TABLE NA1 OF THE NATIONAL ANNEX OF BS EN 12899-1 2007 FIXED VERTICAL ROAD SIGNS.



website: [www.glasdon.com](http://www.glasdon.com)  
e-mail: [sales@glasdon.com](mailto:sales@glasdon.com)  
Telephone: 01253 600400  
Facsimile: 01253 792558

Copyright and/or design right in this representation and the product it depicts is reserved by Glasdon Group Limited. The issue of this drawing, is a confidential disclosure of its contents, and is made on condition that it is neither disclosed to a third party, nor any item described here in and designed by Glasdon Group Limited, is produced either in whole or in part without the written consent of Glasdon Group Limited.

SPECIFICATION NUMBER - 025063-506

ISSUE 07

GLASDON GROUP LTD 18/02/15

SHEET SIZE:A2