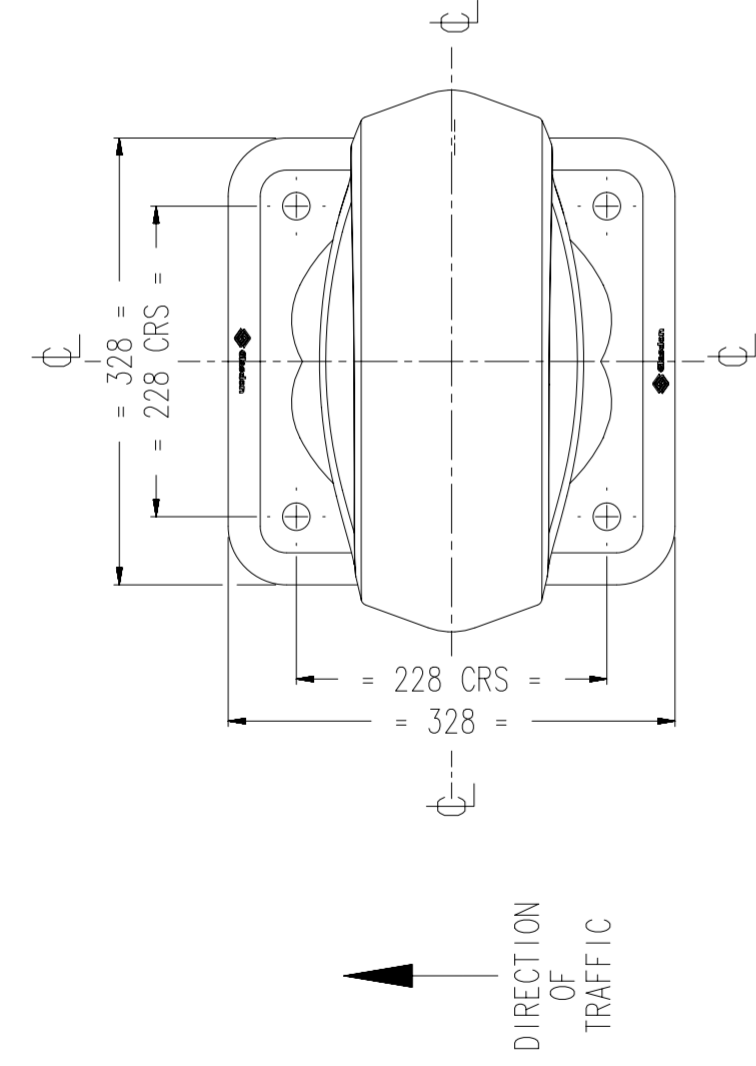


MODEL SPECIFICATION REBOUND SIGMASTER™ BOLLARD

(BOLLARD c/w SURFACE MOUNT FIXINGS / ADJUSTABLE OR FIXED DEPTH CONCRETE-IN GROUND ANCHORS)



PRODUCT INFORMATION:

- WEIGHT - BOLLARD - 6.0 Kg
FIXINGS - 0.6 Kg (OPT 1: SURFACE MOUNT FIXINGS) OR 1.3 Kg (OPT 2: ADJ DEPTH ANCHOR BAR) OR 1.1 Kg (OPT 3: FIXED DEPTH ANCHOR BAR)
TOTAL - 6.6 Kg / 7.3 Kg / 7.1 Kg
- MATERIAL - BOLLARD: - IMPACTAPOI®
FIXINGS: - SCREWS & WASHERS - STAINLESS STEEL
- SPACERS - RIGID PVC
- OPT 1: SURFACE MOUNT FIXINGS - MS BZP
- OPT 2: ADJ DEPTH ANCHOR BAR - MS BZP
- OPT 3: FIXED DEPTH ANCHOR BAR - MS BZP
- BODY COLOURS - BLACK / WHITE / AIRCRAFT GREY
- DIMENSIONS - ALL DIMENSIONS IN mm UNLESS OTHERWISE STATED.

INSTALLATION GUIDE:

- ITEM 1 - REMOVABLE BOLLARD
- ITEM 2 - FIXINGS FOR BOLLARD:
 - M10 SCREW COVER CAP & RETAINER WASHER - WHITE NY66 - x4
 - M10 x 100mm SOCKET HEAD SCREW - S/S - x4
 - M10 x Ø50 x 3mm WASHER - POWDER COATED S/S - x4
 - M10 x Ø19 x 28mm SPACER - RIGID PVC - x4
- ITEM 3 - GROUND FIXING OPTION 1: SURFACE MOUNT FIXINGS - x4:
- ITEM 4 - GROUND FIXING OPTION 2: ADJ DEPTH ANCHOR BAR - x4
- ITEM 5 - GROUND FIXING OPTION 3: FIXED DEPTH ANCHOR BAR - x2
- ITEM 6 - SOLID CONCRETE FOUNDATION OR QUICK SETTING CONCRETE (eg. GRADE QC10)
- ITEM 7 - SUPPORT BLOCK: CAN BE ANYTHING SOLID TO ENSURE BOLLARD IS SUPPORTED AT THE CORRECT HEIGHT UNTIL THE CONCRETE HAS SET.
- ENSURE THAT ANY SIGNFACE FACES TOWARDS ONCOMING TRAFFIC.
- FOR OPTION 1: SURFACE MOUNT FIXING:
 - 4 HOLES TO BE DRILLED FOR SURFACE MOUNT FIXINGS AND SCREWS Ø16mm x 75mm (MIN DEPTH). ENSURE THE HOLES ARE LOCATED AT LEAST 100mm FROM ANY EDGE OF THE CONCRETE FOUNDATION.

WE RECOMMEND INSTALLING THE BOLLARD ON AN EXISTING SOUND CONCRETE FOUNDATION, OR FOR SPEED, PREPARING THE SITE WITH QUICK SETTING CONCRETE (eg. GRADE QC10). BUT EXACT INSTALLATION REQUIREMENTS SHOULD BE ASSESSED FROM A SITE SURVEY.

AVOID CONTACT WITH HOT TARMACADAM AS THIS WILL SERIOUSLY IMPAIR THE PERFORMANCE OF THE BOLLARD.

- FOR OPTION 2 & 3: ADJ & FIXED DEPTH ANCHOR BARS (CONCRETE-IN):
FIX THE BARS TO THE BOLLARD BEFORE INSTALLATION, AS THIS WILL ENSURE FIXING CENTRES ARE CORRECT AND PREVENT THE NEED TO REVISIT THE SITE ONCE CONCRETE HAS SET.

RECOMMENDED MINIMUM HOLE SIZE: 430x430x355mm DEEP (FOR ADJ DEPTH) 500x500x250mm DEEP (FOR FIXED DEPTH)

IF DEPTH IS RESTRICTED TO LESS THAN 400mm WHEN USING OPTION 2, THEN THE 'ADJ DEPTH ANCHOR FIXING BARS' CAN BE CUT DOWN IF REQUIRED. HOWEVER WE RECOMMEND USING THE SAME VOLUME OF CONCRETE BY INCREASING THE WIDTH OF THE HOLE TO COMPENSATE.

- FOR SPEED WE RECOMMEND INSTALLING WITH QUICK SETTING CONCRETE (eg. GRADE QC10) BUT EXACT INSTALLATION REQUIREMENTS SHOULD BE ASSESSED FROM A SITE SURVEY.

OPTIONAL PARTS:

- OPTIONS AVAILABLE FOR THE PRODUCT:

- BODY C/W FRONT, 1xLH & 1xRH CONSPIQUITY PANELS
- BODY C/W FRONT, 2xLH & 2xRH CONSPIQUITY PANELS
- BODY C/W FRONT, REAR, 2xLH & 2xRH CONSPIQUITY PANELS
- + A RANGE OF AUTHORISED SIGNFACES &/OR WHITE DISC

- SPARES ARE AVAILABLE, WHICH INCLUDE:

- BOLLARD C/W FIXINGS & RETROREFLECTIVE PATCHES
- BOLLARD ONLY
- RANGE OF SIGNFACES
- FIXINGS

TECHNICAL DATA:

- SURFACE AREA OF CONSPIQUITY PANELS:

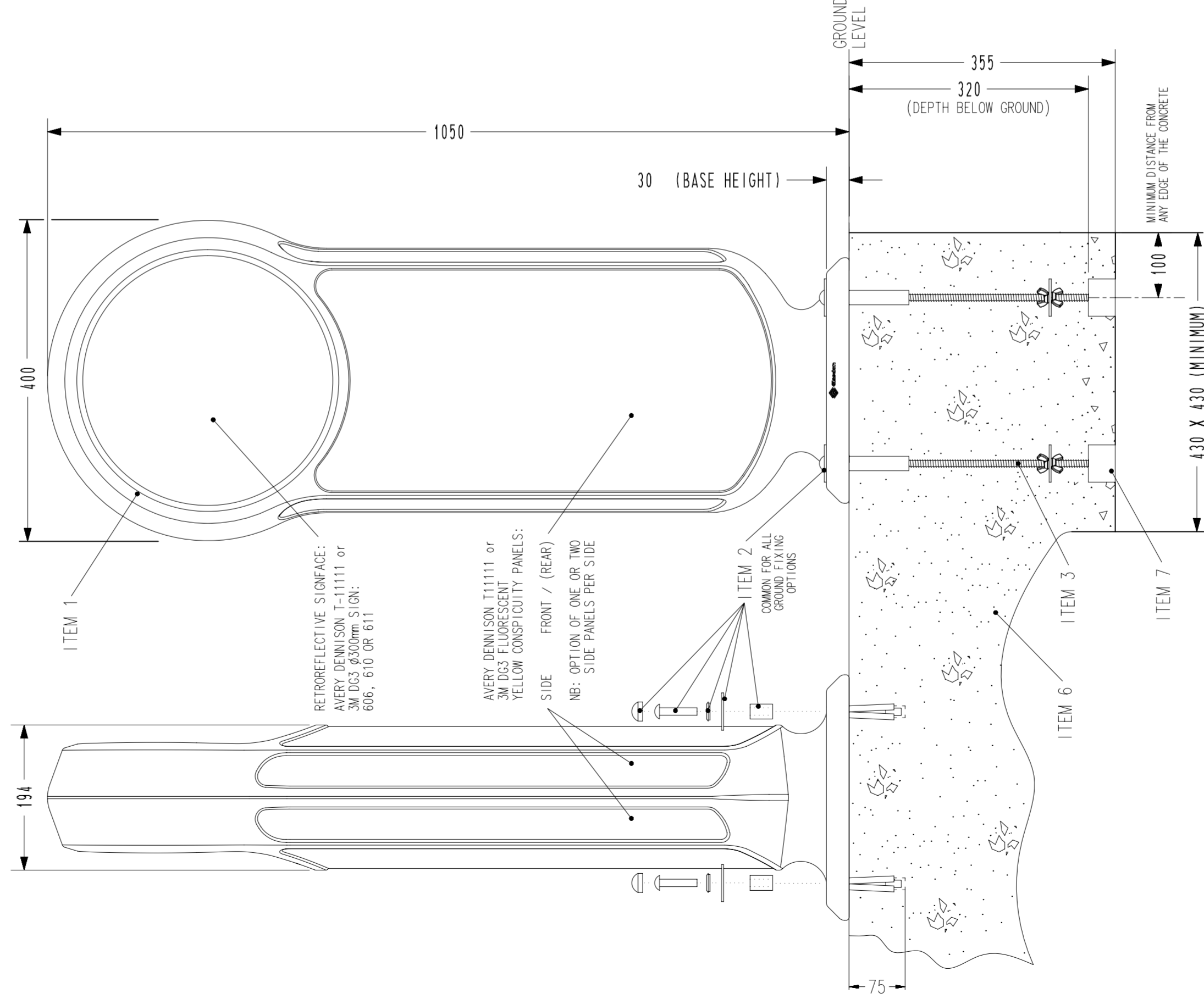
- FRONT = 161,70mm² (PROJECTED)
- SINGLE SIDE = 24,255mm²
- OPTIONAL DOUBLE SIDE = 48,510mm²

- SURFACE AREA OF SIGNFACE = 70,686mm²

- ALL RETROREFLECTIVE MATERIALS SUPPLIED BY GLASDON UK ARE AS RECOMMENDED IN TABLE NA1 OF THE NATIONAL ANNEX OF BS EN 12899-1 2007 FIXED VERTICAL ROAD SIGNS.

MICROPRI SMATIC RETROREFLECTIVE MATERIALS USED ON OUR PRODUCTS MEET THE REQUIREMENTS OF BS 8408 2005 ROAD TRAFFIC SIGNS. TESTING AND PERFORMANCE OF MICROPRI SMATIC RETROREFLECTIVE SHEETING MATERIALS WHEN SITED NORMALLY AND USED IN THEIR NORMAL APPLICATION.

PLAN VIEW



RETROREFLECTIVE SIGNFACE:
AVERY DENNISON T-11111 or
3M D63 Ø300mm SIGN:
606, 610 OR 611

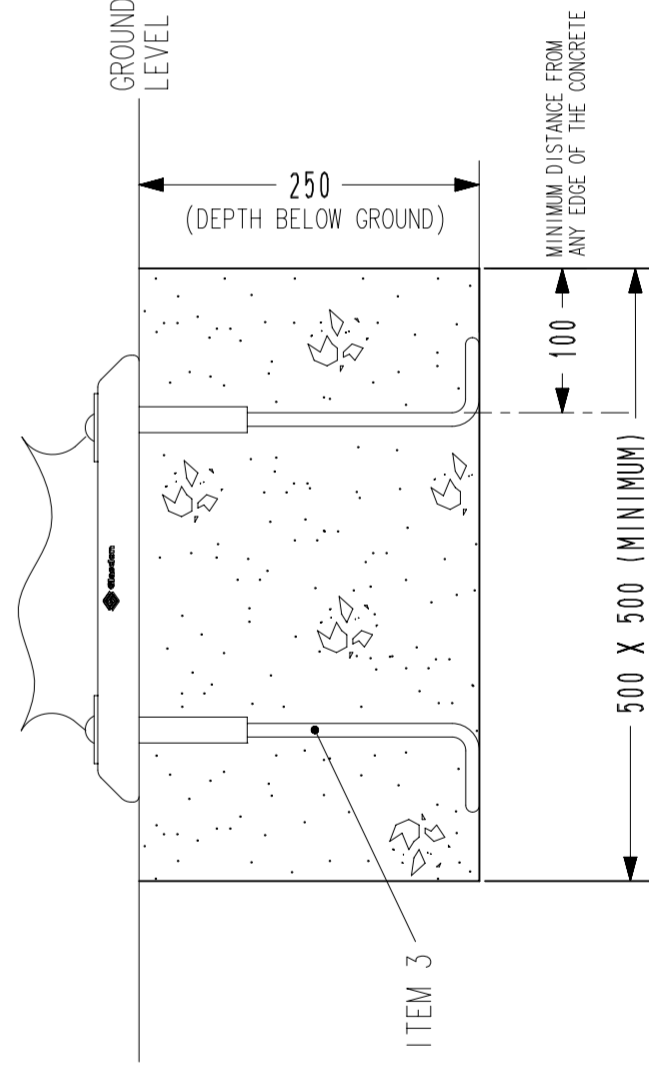
AVERY DENNISON T11111 or
3M D63 FLUORESCENT
YELLOW CONSPIQUITY PANELS:

SIDE FRONT / (REAR)
NB: OPTION OF ONE OR TWO
SIDE PANELS PER SIDE

SIDE VIEW

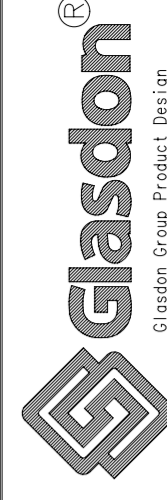
SHOWING - ABOVE: SURFACE MOUNT FIXINGS

SHOWING - ABOVE: OPT 2: ADJUSTABLE DEPTH ANCHOR BAR FIXINGS
- BELOW: OPT 3: FIXED DEPTH ANCHOR BAR FIXINGS



RETROREFLECTIVE SELF RIGHTING BOLLARD

DRG. TITLE	
PROJECT	
DRG. No.	PROJECT No.
SCALE	DATE
DRAWN BY	CHECKED



Glasdon Group Product Design
Glasdon Innovation & Export Centre
Newbury Road
Lancashire, FY4 4JY, UK
Telephone: 01253 600400
Facsimile: 01253 792558
Email: sales@glasdon-uk.co.uk
Web Site: www.glasdon.com

SPECIFICATION NUMBER - 025066-S03 | ISSUE 09

©GLASDON GROUP LTD 06/04/05 SIZE: A2