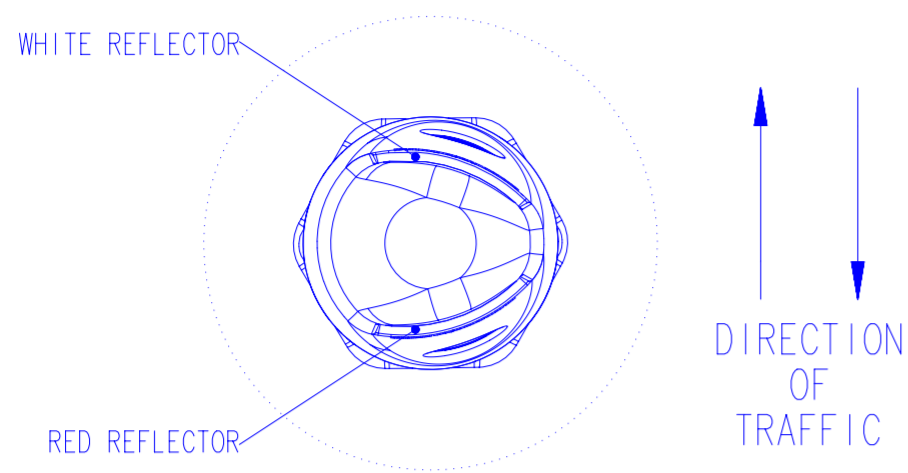


MODEL SPECIFICATION

® VERGEMASTER RX – EXTENDED BASE TYPE



PLAN VIEW (NEAR SIDE)

PRODUCT INFORMATION:

- WEIGHT - 1.8 Kg
- MATERIAL - Reflexapol
- COLOURS - Black Post, White Band & Retro-reflector (See colour options)
- DIMENSIONS - All dimension in mm unless otherwise stated
- ITEM 1 - Vergemaster RX (Extended Base Type) c/w Band and Reflectors
- ITEM 2 - S/A Reflective - Class R2 (Red)
- ITEM 3 - S/A Reflective - Class R2 (White)
- ITEM 4 - Quick Setting Concrete (e.g. Grade QC10), or suitable Subsoil - fully compacted.

TECHNICAL REFERENCE:

- Conforms with the requirements of 'The Statutory Instruments No. 3113 - The Traffic Signs Regulations & General Directions 2002 (TSRGD) - Sign 561.'
- Complies with the 'Department for Transport Traffic Signs Manual, Chapter 4, Warning Signs, 2013.'
- The Retro-reflectors Surface Area is in accordance with the stated requirements of sign 561 in TSRGD.
- Type R1 Retro-reflectors are available to class RA2 or class 3 as defined in EN 12899-3-2007

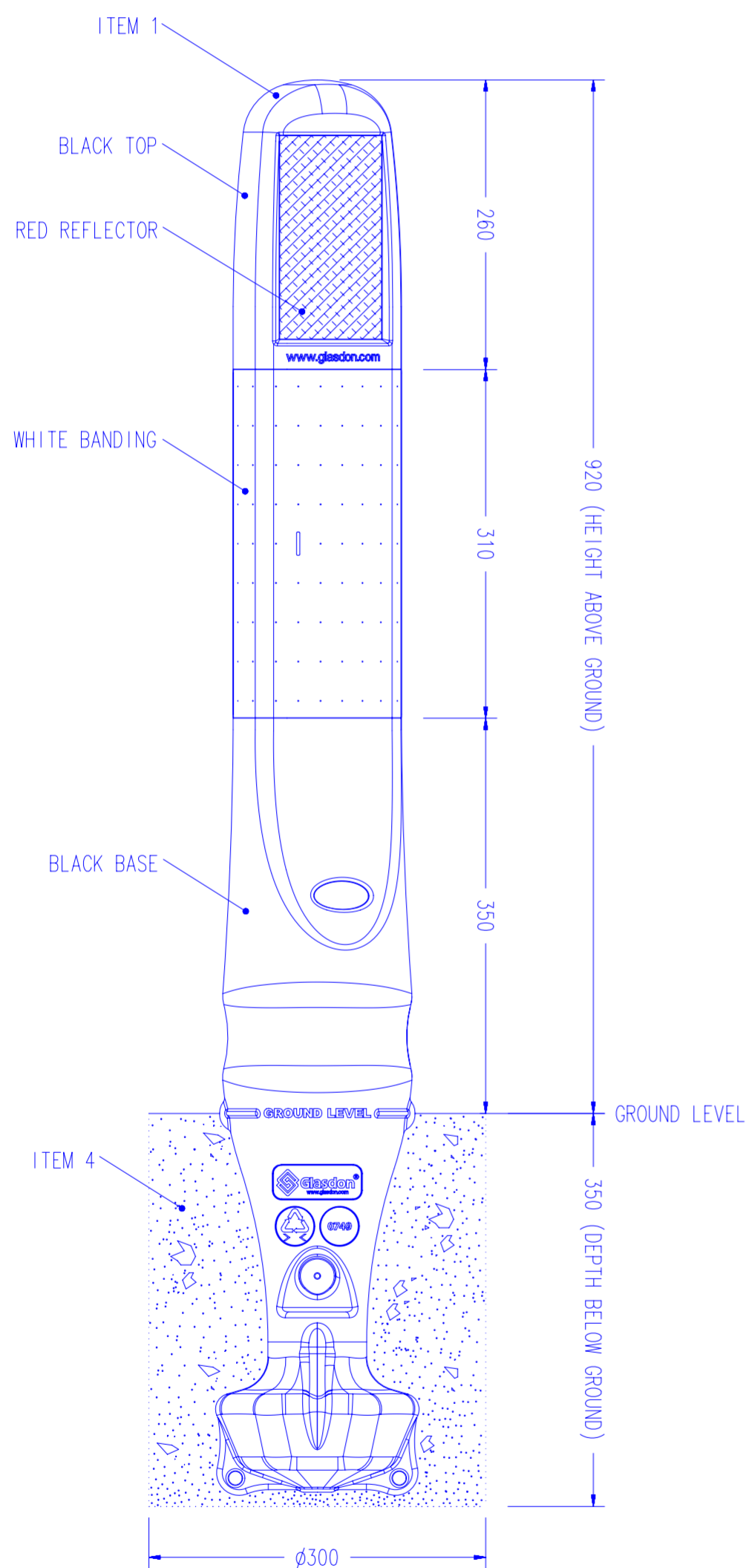
INSTALLATION GUIDE:

- Extended Base Type (See Drawing 02S067-S02 for Vergemaster RX Stake Type)
- Extended wide base ensures a secure location.
- A tapered base section assists backfill and gives added impact resistance.
- Extended Base Type to be positioned in orientation shown in front view, to ensure Vergemaster RX is positioned correctly.
- Ensure Reflectors are positioned in correct orientation. Red Reflector faces oncoming traffic on the near-side. White Reflector faces oncoming traffic on the off-side. Amber Retro-reflector faces oncoming traffic on the off-side of dual carriageways.
- Recommended hole size $\phi 300\text{mm} \times 350\text{mm}$ deep.
- Installation -
 - (1) A hole approximately the correct depth is dug in the position as shown in plan view.
 - (2) Vergemaster is inserted up to the moulded-in ground level mark.
 - (3) Ensuring the post is vertical the hole is simply back-filled in hard ground with quick setting concrete. The concrete is finally tamped down and levelled.
- Alternatively, if suitable the hole can be back-filled with the original earth dug from the hole. The soil should be compacted levelled.

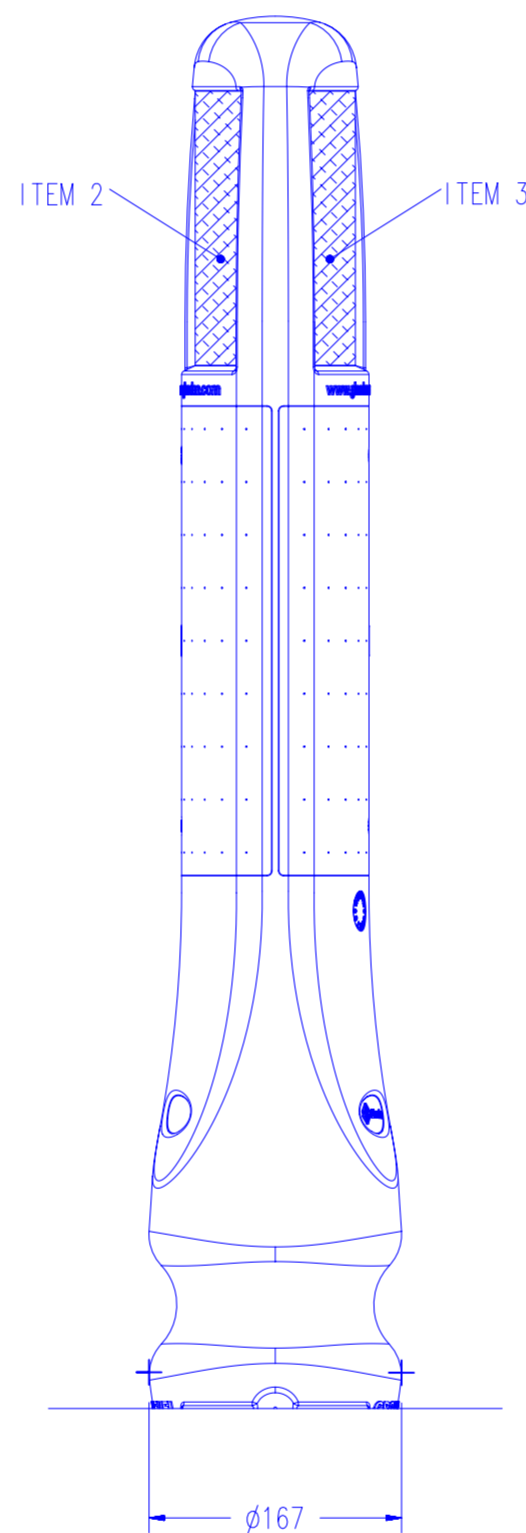
- Avoid contact with hot Tarmac as this will seriously impair the performance of the Vergemaster RX post.
- We recommend installing with quick setting concrete (e.g. Grade QC10), but exact installation requirements should be assessed from a site survey.
- Suitable for hard and soft ground.

OPTIONAL PARTS / SPARES

- Vergemaster RX Extended Base Type
- Vergemaster RX Extended Base Type (High Intensity)
- Red S/A Retro-reflectors (Pack of 5)
- White S/A Retro-reflectors (Pack of 5)
- Amber S/A Retro-reflectors (Pack of 5)



FRONT VIEW (NEAR SIDE)



SIDE VIEW



website: www.glasdon.com
 e-mail: sales@glasdon.com
 Telephone: 01253 600400
 Facsimile: 01253 792558

Copyright and/or design right in this representation and the product it depicts is reserved by Glasdon Group Limited. The issue of this drawing, is a confidential disclosure of its contents, and is made on condition that it is neither disclosed to a third party, nor any item described here in and designed by Glasdon Group Limited, is produced either in whole or in part without the written consent of Glasdon Group Limited.