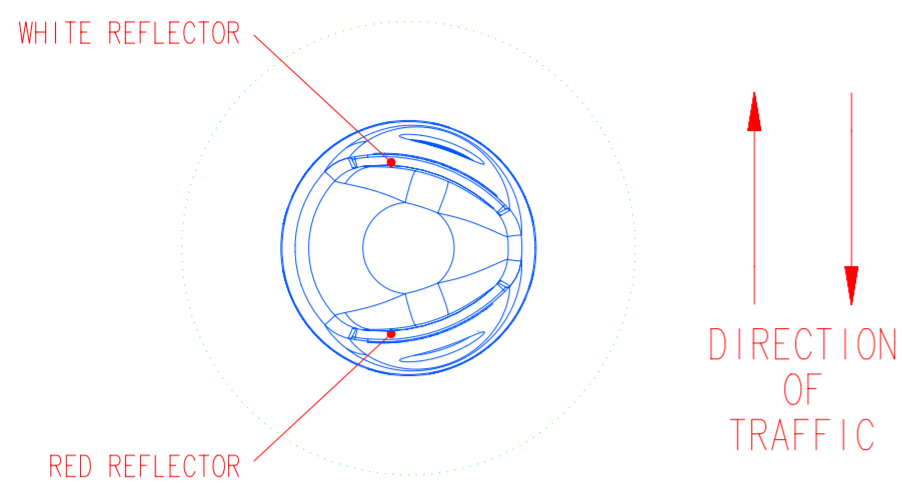
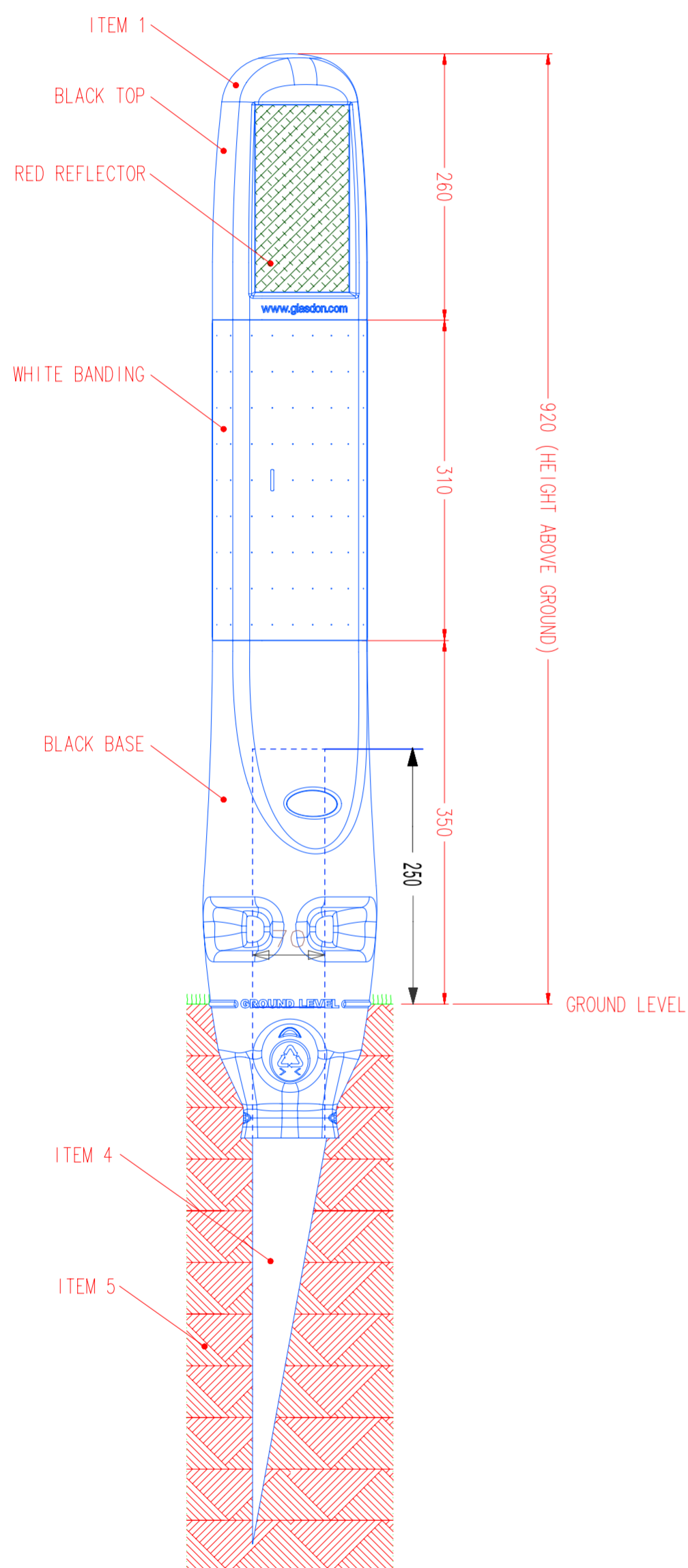


# MODEL SPECIFICATION

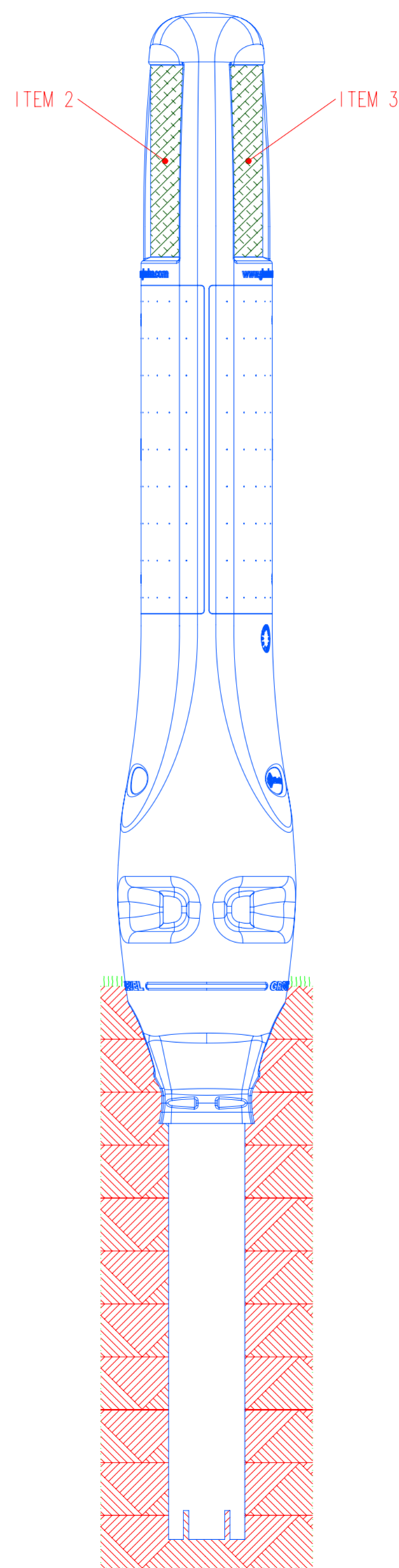
## VERGEMASTER®- STAKE TYPE (CLASS REFERENCE 2 REFLECTORS)



PLAN VIEW (NEAR SIDE)



FRONT VIEW (NEAR SIDE)



SIDE VIEW

### PRODUCT INFORMATION:

- WEIGHT - 1.6 Kg (Post)  
1.1 Kg (Stake)
- MATERIAL - Reflexapol
- COLOURS - Black Post, White Band & Retro-reflector (See colour options)
- DIMENSIONS - All dimensions in mm unless otherwise stated
- ITEM 1 - Vergemaster (Stake Type Base) c/w Band and Retro-reflector
- ITEM 2 - S/A Retro-reflector - Class Reference 2 (Red)
- ITEM 3 - S/A Retro-reflector - Class Reference 2 (White)
- ITEM 4 - Timber Stake
- ITEM 5 - Subsoil

### TECHNICAL REFERENCE:

- Conforms with the requirements of 'The Statutory Instruments No. 3113 - The Traffic Signs Regulations & General Directions 2002' (TSRGD) - Sign 561.'
- Complies with the 'Department for Transport Traffic Signs Manual, Chapter 4, Warning Signs, 2013.'
- The Reflectors Surface Area is in accordance with TSRGD.
- Type R1 Retro-reflectors are available to class RA2 or class 3 as defined in EN 12899-3-2007.

### INSTALLATION GUIDE:

- Stake Type (See drawing 02S067-S01 for Vergemaster Extended Base Type)
- Provides quick, low cost installation, particularly in soft earth.
- The timber fixing stake is pressure impregnated with preservative and can be replaced cheaply if impact-damaged.
- An automatic stake-locking mechanism prevents unauthorised post removal.
- Timber Stake to be positioned in orientation shown in front view, to ensure Vergemaster is positioned correctly.
- Ensure Reflectors are positioned in correct orientation. Red Retro-reflector faces oncoming traffic on the near-side. White Retro-reflector faces oncoming traffic on the off-side. Amber Retro-reflector faces oncoming traffic on the off-side of dual carriageways.

### Installation -

- (1) Ensure to protect top of stake with a piece of wood when driving into ground.
- (2) Tapered timber stake is driven into ground.
- (3) Locate Vergemaster post over the stake. Protect the top with a piece of wood and force into position. (a rubber mallet may be required).
- (4) Automatic stake locking mechanism prevents removal of Vergemaster post, from the stake.

- Avoid contact with hot Tarmac as this will seriously impair the performance of the Vergemaster post and timber stake.

- We recommend that the stake is installed by driving directly into the ground, but exact installation requirements should be assessed from a site survey.

- Not suitable for hard ground.

### OPTIONAL PARTS / SPARES:

- Vergemaster Stake Type (not inc. stake)
- Vergemaster Stake Type High Intensity (not inc. stake)
- Fixing Stake
- Class Reference 2 Red S/A Retro-reflectors (Pack of 5)
- Class Reference 2 White S/A Retro-reflectors (Pack of 5)
- Class Reference 2 Amber S/A Retro-reflectors (Pack of 5)



website: [www.glasdon.com](http://www.glasdon.com)  
 e-mail: [sales@glasdon.com](mailto:sales@glasdon.com)  
 Telephone: 01253 600400  
 Facsimile: 01253 792558

Copyright and/or design right in this representation and the product it depicts is reserved by Glasdon Group Limited. The issue of this drawing, is a confidential disclosure of its contents, and is made on condition that it is neither disclosed to a third party, nor any item described here in and designed by Glasdon Group Limited, is produced either in whole or in part without the written consent of Glasdon Group Limited.

SPECIFICATION NUMBER - 02S067-S02

ISSUE 07

GLASDON GROUP LTD 18/02/15

SHEET SIZE: A2