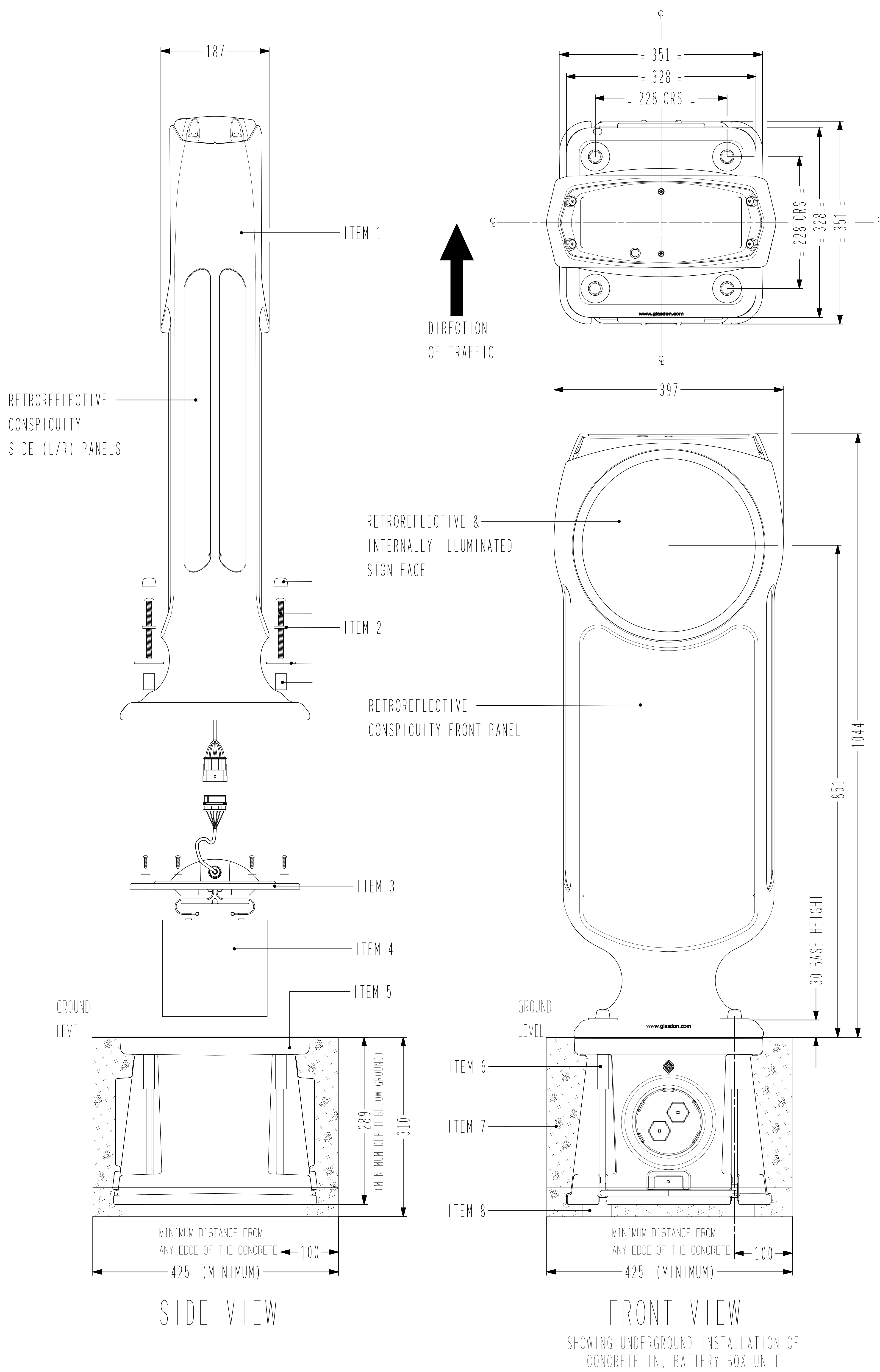


MODEL SPECIFICATION

REBOUND SOLAR SIGNMASTER™ (WITH CONCRETE-IN IP67 RATED BATTERY BOX)



- **WEIGHT**
 - BOLLARD c/w SOLAR PANEL & LED - 7.4 Kg
 - BATTERY BOX - 3.0 Kg
 - BATTERY LID c/w PCB & CABLES - 0.5 Kg
 - BATTERIES x 2 - 13.6 Kg
 - FIXINGS x 2 - 1.0 Kg
 - TOTAL - 25.5 Kg
- **MATERIAL**
 - BOLLARD: - IMPACTAPOC®
 - BATTERY BOX: - DURAPOC®
 - FIXINGS: - SCREWS & WASHERS - STAINLESS STEEL
 - SPACERS - RIGID PVC
 - CONCRETE-IN ANCHOR FIXING BARS - MS BZP
- **BOLLARD COLOUR** - BLACK
- **DIMENSIONS** - ALL DIMENSIONS IN mm UNLESS OTHERWISE STATED
- **ITEM 1** - REMOVABLE BOLLARD c/w L.E.D., LDR, SOLAR PANEL AND COVER LENS, SEALED CONSPICUITY SIGN FACE & WATERPROOF CONNECTOR (FEMALE) - x1
- **ITEM 2** - FIXINGS FOR BOLLARD:
 - M10 SCREW COVER CAP & RETAINER WASHER - x4
 - M10 x 30mm SOCKET HEAD SCREW - S/S - x4
 - M10 x Ø50 x 3mm WASHER - POWDER COATED S/S - x4
 - M10 x Ø19 x 28mm SPACER - RIGID PVC - x4
- **ITEM 3** - BATTERY BOX LID c/w DRIVER PCB, SILICONE SEAL, BATTERY CONNECTOR & WATERPROOF CONNECTOR (MALE)
- **ITEM 4** - 12v 20AH / 20HR BATTERIES (2 OFF)
- **ITEM 5** - CONCRETE-IN BATTERY BOX (MAIN UNIT)
- **ITEM 6** - CONCRETE-IN ANCHOR FIXING BAR (2 OFF)
- **ITEM 7** - QUICK SETTING CONCRETE (eg. GRADE QC10)
- **ITEM 8** - SUPPORT BLOCKS (TO ENSURE ASSEMBLY IS LEVEL)
- ORIENTATE SIGNFACE TOWARDS ONCOMING TRAFFIC.
- RECOMMENDED MINIMUM HOLE SIZE: 425x425x310mm DEEP.
- FOR SPEED WE RECOMMEND INSTALLING WITH QUICK SETTING CONCRETE (eg. GRADE QC10) BUT EXACT INSTALLATION REQUIREMENTS SHOULD BE ASSESSED FROM A SITE SURVEY.
- AVOID CONTACT WITH HOT TARMACADAM AS THIS WILL SERIOUSLY IMPAIR THE PERFORMANCE OF THE BOLLARD.

OPTIONAL PARTS:

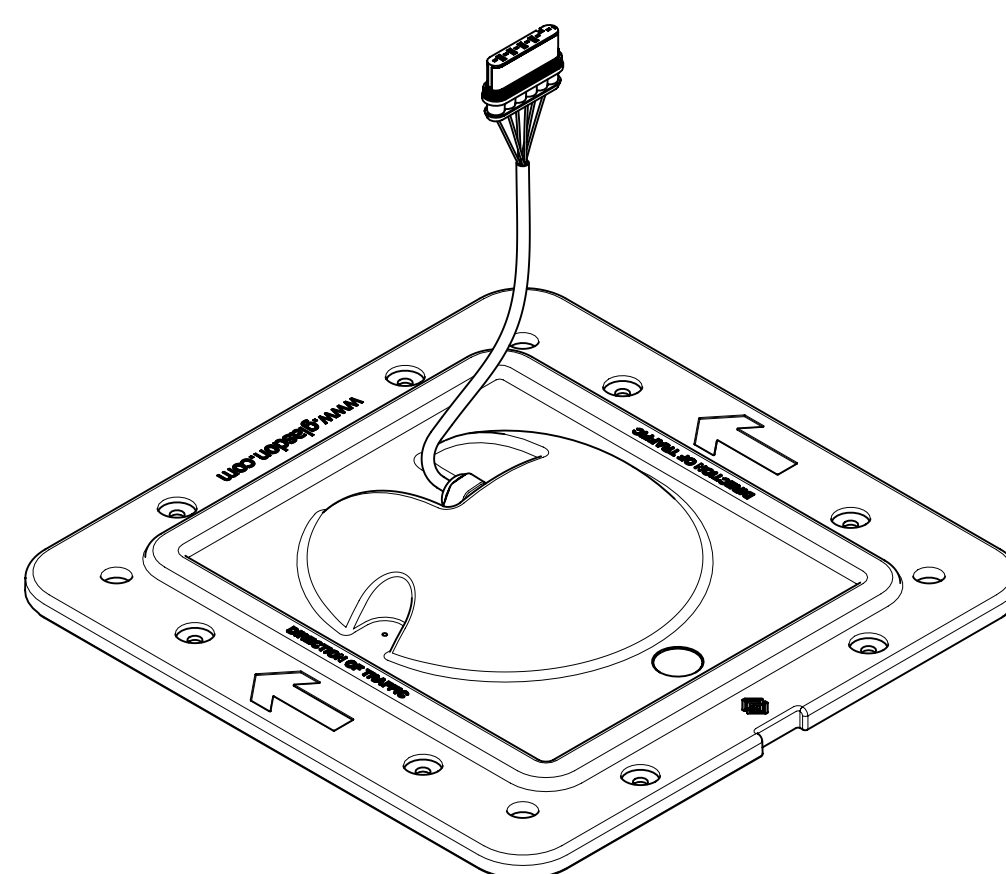
- **OPTIONS AVAILABLE FOR THE PRODUCT:**
 - BODY C/W FRONT, 1xLH & 1xRH CONSPICUITY PANELS
 - BODY C/W FRONT, 2xLH & 2xRH CONSPICUITY PANELS
 - BODY C/W FRONT, REAR, 2xLH & 2xRH CONSPICUITY PANELS
 - + A RANGE OF AUTHORISED SIGNFACES &/OR WHITE DISC
- **SPARES ARE AVAILABLE, WHICH INCLUDE:**
 - KIT 1 - BOLLARD c/w FIXINGS, RETROREFLECTIVE PATCHES, SOLAR PANEL & COVER LENS
 - RANGE OF SIGNFACES
 - FIXINGS
 - KIT 2 - BATTERY BOX LID c/w SILICONE SEAL, DRIVE PCB, POWER CABLE, SCREW FIXINGS, CABLE GLAND, WATERPROOF MALE CONNECTOR & BATTERY CONNECTOR
 - KIT 3 - 12v 20Ah x 2 c/w FOAM BLOCK - BATTERY KIT

TECHNICAL DATA:

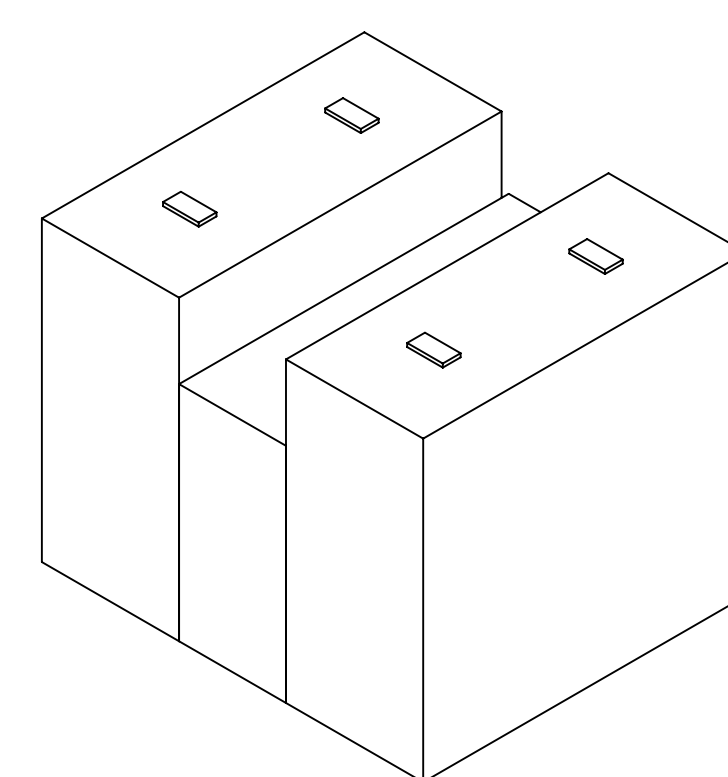
- IP67 RATED BATTERY BOX - EN60529:1992/A2:2013
- IP56 RATED SOLAR SIGNMASTER c/w SOLAR PANEL & SIGNFACE - EN60529:1992/A2:2013
- **SURFACE AREA OF CONSPICUITY PANELS:**
 - FRONT = 151,475mm² (PROJECTED)
 - SINGLE SIDE = 20,784mm²
 - OPTIONAL DOUBLE SIDE = 41,568mm²
- **SURFACE AREA OF SIGNFACE = 71,314mm²**
- ALL RETROREFLECTIVE MATERIALS SUPPLIED BY GLASDON ARE AS RECOMMENDED IN TABLE NA1 OF THE NATIONAL ANNEX OF BS EN 12899-1: 2007 FIXED VERTICAL ROAD SIGNS.
- MICROPRISMATIC RETROREFLECTIVE MATERIALS USED ON OUR PRODUCTS MEET THE REQUIREMENTS OF BS EN 12899-1: 2007 ROAD TRAFFIC SIGNS. TESTING AND PERFORMANCE OF MICROPRISMATIC RETROREFLECTIVE SHEETING MATERIALS WHEN SITED NORMALLY AND USED IN THEIR NORMAL APPLICATION.
- **BATTERY WARNING:** THIS PRODUCT HAS BEEN FOUND TO CONTAIN SVHC: LEAD MONOXIDE (LEAD OXIDE) RISK OF FIRE, EXPLOSION, OR BURNS. DO NOT DISASSEMBLE, HEAT ABOVE THE 60°C, OR INCINERATE.

ISOMETRIC VIEWS OF SPARE BATTERY BOX LID (KIT 2) SPARE BATTERY PACK (KIT 3)

KIT 2



KIT 3



website: www.glasdon.com
e-mail: sales@glasdon.com
Telephone: 01253 600400
Facsimile: 01253 792558

Copyright and/or design right in this representation and the product it depicts is reserved by Glasdon Group Limited. The issue of this drawing, is a confidential disclosure of its contents, and is made on condition that it is neither disclosed to a third party, nor any item described here in and designed by Glasdon Group Limited, is produced either in whole or in part without the written consent of Glasdon Group Limited.

SPECIFICATION NUMBER - 025068-S01

ISSUE 01

GLASDON GROUP LTD 27/02/17

SHEET SIZE:A2