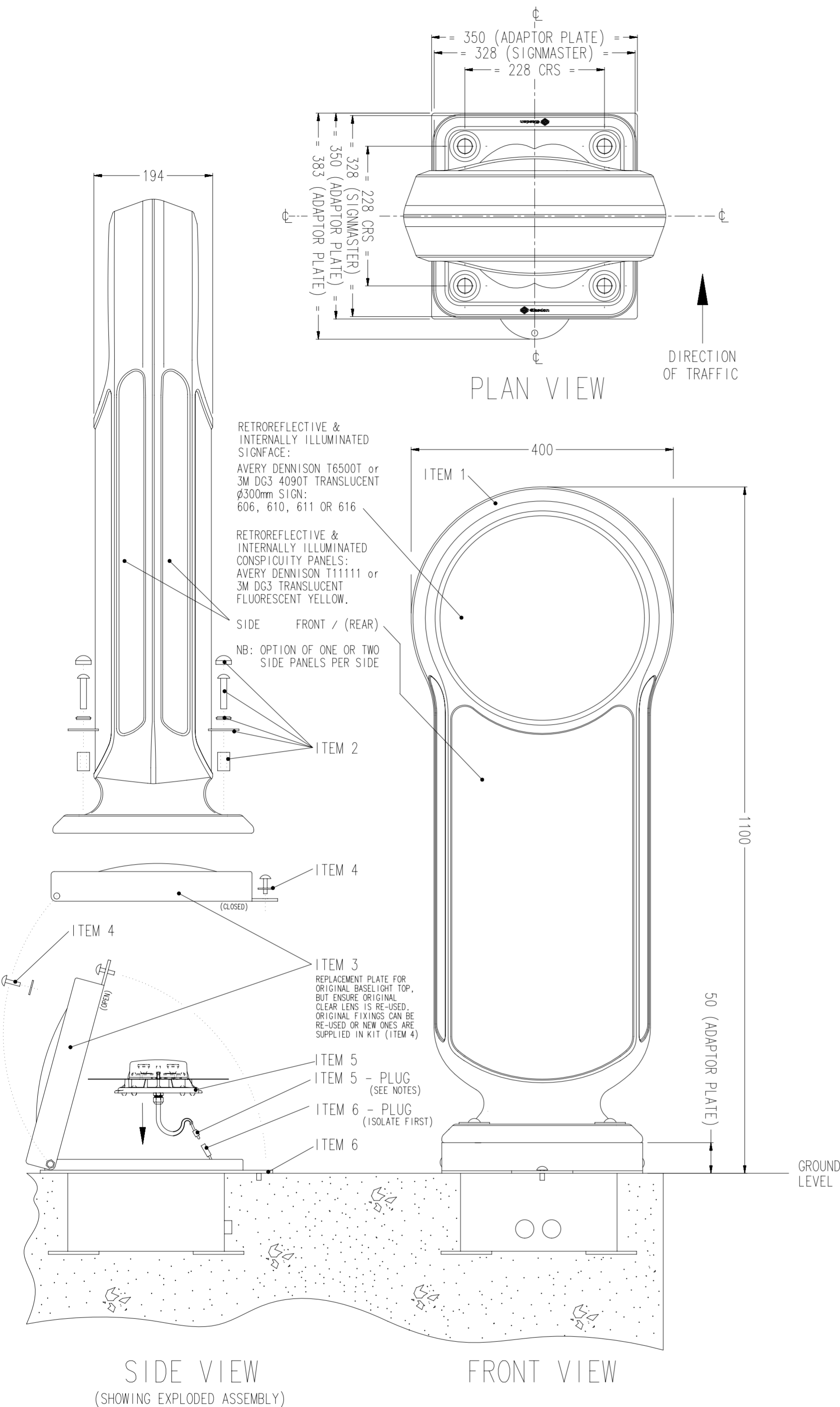


MODEL SPECIFICATION

REBOUND SIGNMASTER™ BOLLARD c/w L.E.D. INTERNAL ILLUMINATION

(RETROREFLECTIVE BOLLARD WITH INTERNAL ILLUMINATION FROM BASELIGHT C/W IP68 RATED SUBLITE POD CONVERSION KIT 05)



PRODUCT INFORMATION:

- WEIGHT
 - BOLLARD - 6.0 Kg
 - FIXINGS - 1.0 Kg
 - ADAPTOR PLATE - 3.1 Kg
 - IP68 SUBLITE POD - 0.6 Kg
 - TOTAL - 10.7 Kg
- MATERIAL
 - BOLLARD: - IMPACTAPOL®
 - ADAPTOR PLATE: - MS GALVANISED
 - IP68 SUBLITE POD: - POLYCARBONATE & ALUMINIUM
 - FIXINGS: - SCREWS - STAINLESS STEEL
 - WASHERS - STAINLESS STEEL
 - SPACERS - RIGID PVC
- BODY COLOUR - WHITE
- DIMENSIONS - ALL DIMENSIONS IN mm UNLESS OTHERWISE STATED & FOR GLASDON COMPONENTS ONLY (NOT BASELIGHT)

INSTALLATION GUIDE:

- ITEM 1 - REMOVABLE BOLLARD - x1
 - ITEM 2 - FIXINGS FOR BOLLARD:
 - M10 SCREW COVER CAP & RETAINER WASHER - WHITE NY66 - x4
 - M10 x 50mm SOCKET HEAD SCREW - S/S - x4
 - M10 x ϕ 50 x 3mm WASHER - POWDER COATED S/S - x4
 - M10 x ϕ 19 x 28mm SPACER - RIGID PVC - x4
 - ITEM 3 - ADAPTOR PLATE (TYPE 02) - TO REPLACE ORIGINAL BASELIGHT TOP x1
 - ITEM 4 - FIXINGS FOR ADAPTER PLATE (IF REQUIRED)
 - M8 x 30mm SOCKET HEAD SCREW - S/S - x3
 - M8 x ϕ 17mm WASHER - S/S - x4
 - ITEM 5 - IP68 SUBLITE POD CONVERSION (TYPE A) - x1
 - ITEM 6 - PRE-INSTALLED BASELIGHT (PUDSEY DIAMOND TRAFFIC)
- ENSURE THAT ANY SIGNFACE FACES TOWARDS ONCOMING TRAFFIC.
- INSTALLATION OF BOLLARD TO EXISTING BASELIGHTS:
 USE APPROPRIATE ADAPTER PLATE RELATIVE TO THE TYPE OF BASELIGHT. FOLLOW THE SEPARATE INSTALLATION INSTRUCTIONS SUPPLIED WITH KIT.
- INSTALLATION & USE OF IP68 SUBLITE POD CONVERSION:
 FOLLOW THE SEPARATE INSTALLATION INSTRUCTIONS SUPPLIED WITH KIT.
- THE SUBLITE POD PLUG WILL SIMPLY CONNECT INTO THE ORIGINAL BASELIGHT PLUG, BUT TO ENSURE IP RATING, WE RECOMMEND REMOVING THE STANDARD PLUG AND REPLACE WITH AN IP68 CONNECTOR OR HARD WIRING THE L.E.D. POD DIRECTLY INTO AN IP RATED CUT-OUT UNIT AS PER THEIR OWN INSTALLATION INSTRUCTIONS.
- PRIOR TO ANY ELECTRICAL WORK TAKING PLACE, ENSURE IT IS UNDERTAKEN BY SUITABLY QUALIFIED PERSONNEL AND THE ELECTRIC SUPPLY IS ISOLATED.

OPTIONAL PARTS:

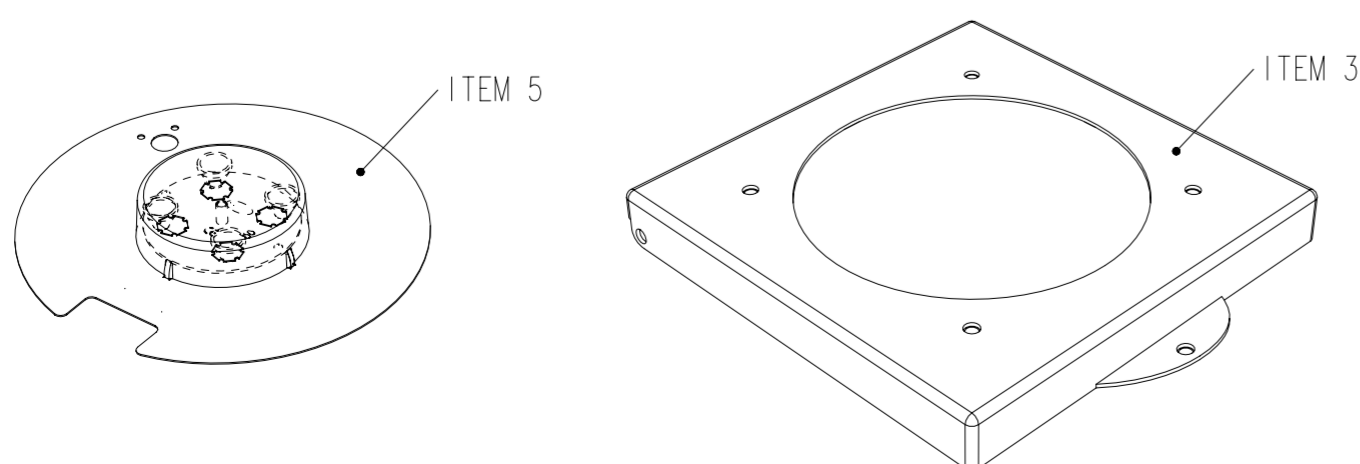
- OPTIONS AVAILABLE FOR THE PRODUCT:
 - BODY C/W FRONT, 1xLH & 1xRH CONSPICUITY PANELS
 - BODY C/W FRONT, 2xLH & 2xRH CONSPICUITY PANELS
 - BODY C/W FRONT, REAR, 2xLH & 2xRH CONSPICUITY PANELS
 - + A RANGE OF AUTHORISED SIGNFACES &/OR WHITE DISC
- SPARES ARE AVAILABLE, WHICH INCLUDE:
 - BOLLARD C/W FIXINGS & RETROREFLECTIVE PATCHES
 - BOLLARD ONLY - RANGE OF SIGNFACES
 - FIXINGS - ALUMINIUM GEAR TRAY (4 X TYPES)

TECHNICAL DATA:

- SURFACE AREA OF CONSPICUITY PANELS:
 - FRONT = 161,701mm² (PROJECTED)
 - SINGLE SIDE = 24,259mm²
 - OPTIONAL DOUBLE SIDE = 48,510mm²
- SURFACE AREA OF SIGNFACE = 70,686mm²
- ALL RETROREFLECTIVE MATERIALS SUPPLIED BY GLASDON ARE AS RECOMMENDED IN TABLE NA1 OF THE NATIONAL ANNEX OF BS EN 12899-1: 2007 FIXED VERTICAL ROAD SIGNS.
- MICROPRISMATIC RETROREFLECTIVE MATERIALS USED ON OUR PRODUCTS MEET THE REQUIREMENTS OF BS 8408 2005 ROAD TRAFFIC SIGNS. TESTING AND PERFORMANCE OF MICROPRISMATIC RETROREFLECTIVE SHEETING MATERIALS WHEN SITED NORMALLY AND USED IN THEIR NORMAL APPLICATION.
- IP68 RATED SUBLITE POD c/w PHOTOCELL:

● 230v ac	TOTAL 'ON' POWER USE - 5.0 WATTS	24v ac (REQUIRES TRANSFORMER C008/3042)
	STANDBY POWER USE - 0.33 WATTS	TOTAL 'ON' POWER USE - 6.5 WATTS
	UMSUG CODE 'ON' - 40 0005 0012 100	STANDBY POWER USE - 1.5 WATTS
	UMSUG CODE STANDBY - 96 0001 0003 100	UMSUG CODE 'ON' - 40 0005 0000 100
	POWER FACTOR - 0.91	UMSUG CODE STANDBY - 96 0002 0000 100
		POWER FACTOR - 0.48
- NOTE: TRANSFORMER C008/3042 REQUIRED FOR 24v UNITS CAN POWER UP TO 3x L.E.D. POD BASELIGHT UNITS (REFER TO MODEL SPECIFICATION 02S070-S01)
- PLUG TYPE: 3 POLE TERMINAL BLOCK (BJB PART No 48.271.0311.51) ALWAYS ISOLATE PRIOR TO DISCONNECTION OR CONNECTION.

SPECIFIC L.E.D. POD CONVERSION & BASELIGHT ADAPTOR PLATE



website: www.glasdon.com
 e-mail: sales@glasdon.com
 Telephone: 01253 600400
 Facsimile: 01253 792558

Copyright and/or design right in this representation and the product it depicts is reserved by Glasdon Group Limited. The issue of this drawing, is a confidential disclosure of its contents, and is made on condition that it is neither disclosed to a third party, nor any item described here in and designed by Glasdon Group Limited, is produced either in whole or in part without the written consent of Glasdon Group Limited.

SPECIFICATION NUMBER - 02S070-S12 ISSUE 04

GLASDON GROUP LTD 04/11/10 SHEET SIZE: A2