

# MODEL SPECIFICATION

## REBOUND SIGNMASTER™ BOLLARD c/w L.E.D. INTERNAL ILLUMINATION

(RETROREFLECTIVE BOLLARD WITH INTERNAL ILLUMINATION FROM BASELIGHT c/w IP68 RATED SUBLITE POD CONVERSION KIT 09)

### PRODUCT INFORMATION:

- WEIGHT - BOLLARD - 6.0 Kg  
 - FIXINGS - 1.0 Kg  
 - ADAPTOR PLATE & COLLAR - 4.5 Kg  
 - IP68 SUBLITE POD - 0.6 Kg  
 - TOTAL - 12.1 Kg
- MATERIAL - BOLLARD: - IMPACTAPOL®  
 - ADAPTOR PLATE & COLLAR: - MS GALVANISED c/w PET LENS  
 - IP68 SUBLITE POD: - POLYCARBONATE & ALUMINIUM  
 - FIXINGS: - SCREWS - STAINLESS STEEL  
 - WASHERS - STAINLESS STEEL  
 - SPACERS - RIGID PVC
- BODY COLOUR - WHITE
- DIMENSIONS - ALL DIMENSIONS IN mm UNLESS OTHERWISE STATED & FOR GLASDON COMPONENTS ONLY (NOT BASELIGHT)

### INSTALLATION GUIDE:

- ITEM 1 - REMOVABLE BOLLARD - x1
  - ITEM 2 - FIXINGS FOR BOLLARD:
    - M10 NUT COVER CAP - WHITE NY66 - x4
    - M10 NYLOC NUT - S/S - x4
    - M10 x Ø50 x 3mm WASHER - POWDER COATED S/S - x4
    - M10 x Ø19 x 24mm SPACER - GREY RIGID PVC - x4
  - ITEM 3 - ADAPTOR PLATE (TYPE 06) c/w LENS & GASKET x1 (TO REPLACE ORIGINAL BASELIGHT TOP)
  - ITEM 4 - ADAPTOR COLLAR (TYPE 06)
  - ITEM 5 - FIXINGS FOR ADAPTER PLATE & COLLAR:
    - M8 x 30mm SOCKET HEAD SCREW - S/S - x8
    - M8 x Ø17mm WASHER - S/S - x16
    - M8 NYLOC NUT - S/S - x4
  - ITEM 6 - OPTIONAL INNER GASKET (TO BE SPECIFIED ON ORDER)
  - ITEM 7 - IP68 SUBLITE POD CONVERSION (TYPE C) - x1
  - ITEM 8 - PRE-INSTALLED BASELIGHT (MORRISON)
- ENSURE THAT ANY SIGNFACE FACES TOWARDS ONCOMING TRAFFIC.
- INSTALLATION OF BOLLARD TO EXISTING BASELIGHTS:  
 USE APPROPRIATE ADAPTER PLATE RELATIVE TO THE TYPE OF BASELIGHT. FOLLOW THE SEPARATE INSTALLATION INSTRUCTIONS SUPPLIED WITH KIT.
- INSTALLATION & USE OF IP68 SUBLITE POD CONVERSION:  
 FOLLOW THE SEPARATE INSTALLATION INSTRUCTIONS SUPPLIED WITH KIT.
- THE SUBLITE POD PLUG WILL SIMPLY CONNECT INTO THE ORIGINAL BASELIGHT PLUG, BUT TO ENSURE IP RATING, WE RECOMMEND REMOVING THE STANDARD PLUG AND REPLACE WITH AN IP68 CONNECTOR, OR HARD WIRING THE L.E.D. POD DIRECTLY INTO AN I.P. RATED CUT-OUT UNIT AS PER THEIR OWN INSTALLATION INSTRUCTIONS.
- PRIOR TO ANY ELECTRICAL WORK TAKING PLACE, ENSURE IT IS UNDERTAKEN BY SUITABLY QUALIFIED PERSONNEL AND THE ELECTRIC SUPPLY IS ISOLATED.

### OPTIONAL PARTS:

- OPTIONS AVAILABLE FOR THE PRODUCT:
  - BODY C/W FRONT, 1xLH & 1xRH CONSPICUITY PANELS
  - BODY C/W FRONT, 2xLH & 2xRH CONSPICUITY PANELS
  - BODY C/W FRONT, REAR, 2xLH & 2xRH CONSPICUITY PANELS
  - + A RANGE OF AUTHORISED SIGNFACES &/OR WHITE DISC
- SPARES ARE AVAILABLE, WHICH INCLUDE:
  - BOLLARD C/W FIXINGS & RETROREFLECTIVE PATCHES
  - BOLLARD ONLY
  - RANGE OF SIGNFACES
  - FIXINGS

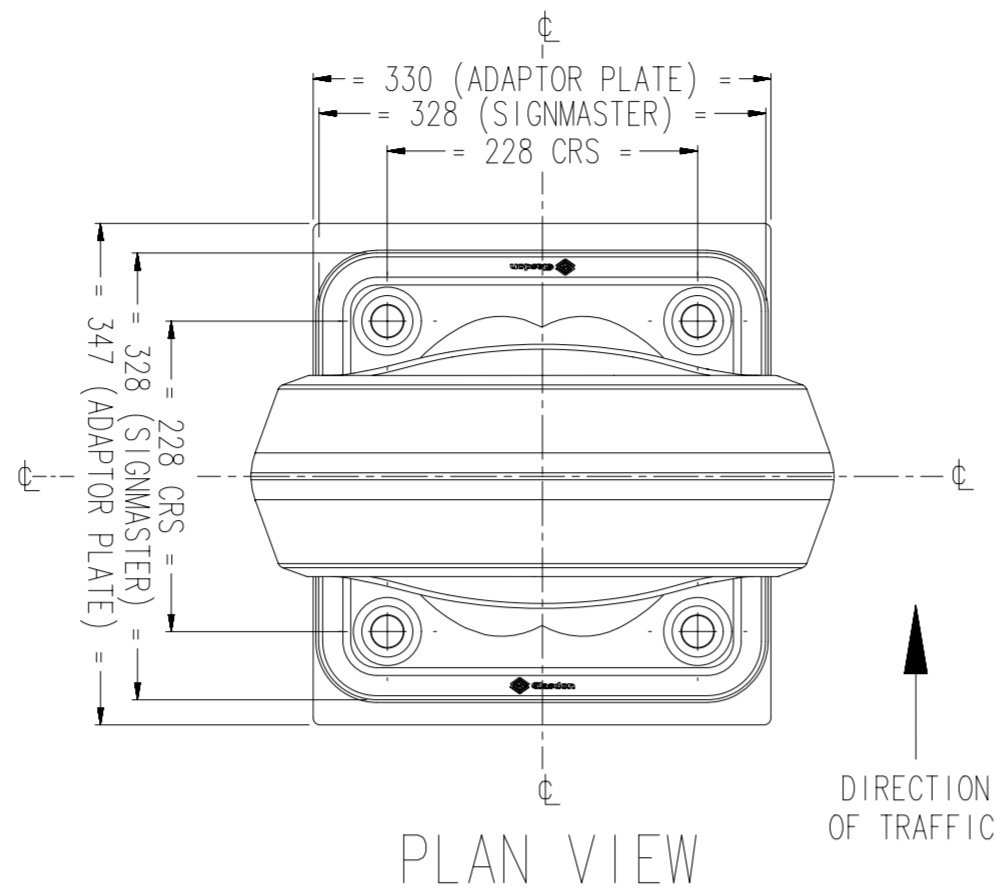
### TECHNICAL DATA:

- SURFACE AREA OF CONSPICUITY PANELS:
  - FRONT = 161,701mm<sup>2</sup> (PROJECTED)
  - SINGLE SIDE = 24,255mm<sup>2</sup>
  - OPTIONAL DOUBLE SIDE = 48,510mm<sup>2</sup>
- SURFACE AREA OF SIGNFACE = 70,686mm<sup>2</sup>
- ALL RETROREFLECTIVE MATERIALS SUPPLIED BY GLASDON ARE AS RECOMMENDED IN TABLE NA1 OF THE NATIONAL ANNEX OF BS EN 12899-1: 2007 FIXED VERTICAL ROAD SIGNS.
- MICROPRISMATIC RETROREFLECTIVE MATERIALS USED ON OUR PRODUCTS MEET THE REQUIREMENTS OF BS 8408 2005 ROAD TRAFFIC SIGNS. TESTING AND PERFORMANCE OF MICROPRISMATIC RETROREFLECTIVE SHEETING MATERIALS WHEN SITED NORMALLY AND USED IN THEIR NORMAL APPLICATION.
- IP68 RATED SUBLITE POD c/w PHOTOCELL:
 

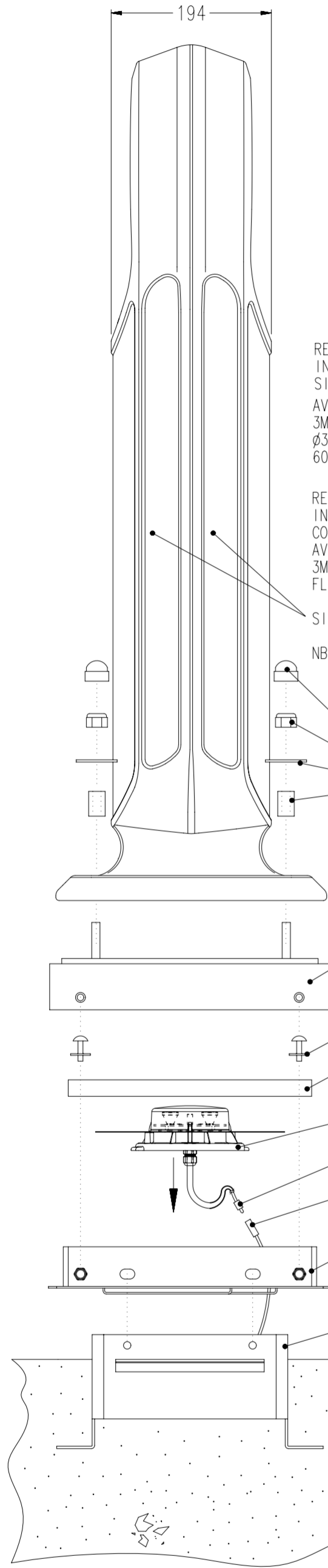
<ul style="list-style-type: none"> <li>● 230v ac</li> <li>TOTAL 'ON' POWER USE - 5.0 WATTS</li> <li>STANDBY POWER USE - 0.33 WATTS</li> <li>UMSUG CODE 'ON' - 40 0005 0012 100</li> <li>UMSUG CODE STANDBY - 96 0001 0003 100</li> <li>POWER FACTOR - 0.91</li> </ul>	<ul style="list-style-type: none"> <li>24v ac (REQUIRES TRANSFORMER C008/3042)</li> <li>TOTAL 'ON' POWER USE - 6.5 WATTS</li> <li>STANDBY POWER USE - 1.5 WATTS</li> <li>UMSUG CODE 'ON' - 40 0005 0000 100</li> <li>UMSUG CODE STANDBY - 96 0002 0000 100</li> <li>POWER FACTOR - 0.48</li> </ul>
---	--

● NOTE: TRANSFORMER C008/3042 REQUIRED FOR 24V UNITS CAN POWER UP TO 3x L.E.D. POD BASELIGHT UNITS (REFER TO MODEL SPECIFICATION 02S070-S01)

● PLUG TYPE: 3 POLE TERMINAL BLOCK (BJB PART No 48.271.0311.51) ALWAYS ISOLATE PRIOR TO DISCONNECTION OR CONNECTION.

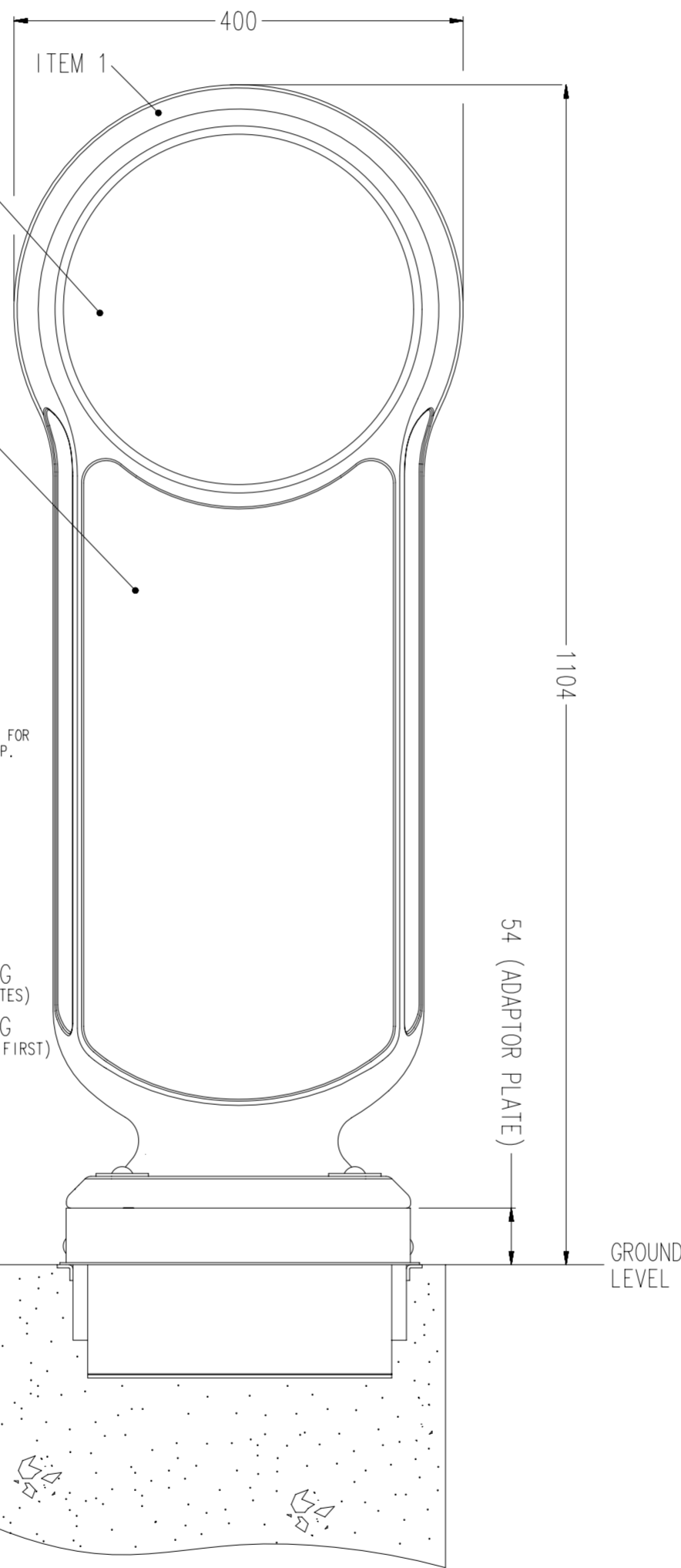


PLAN VIEW



SIDE VIEW

(SHOWING EXPLODED ASSEMBLY)



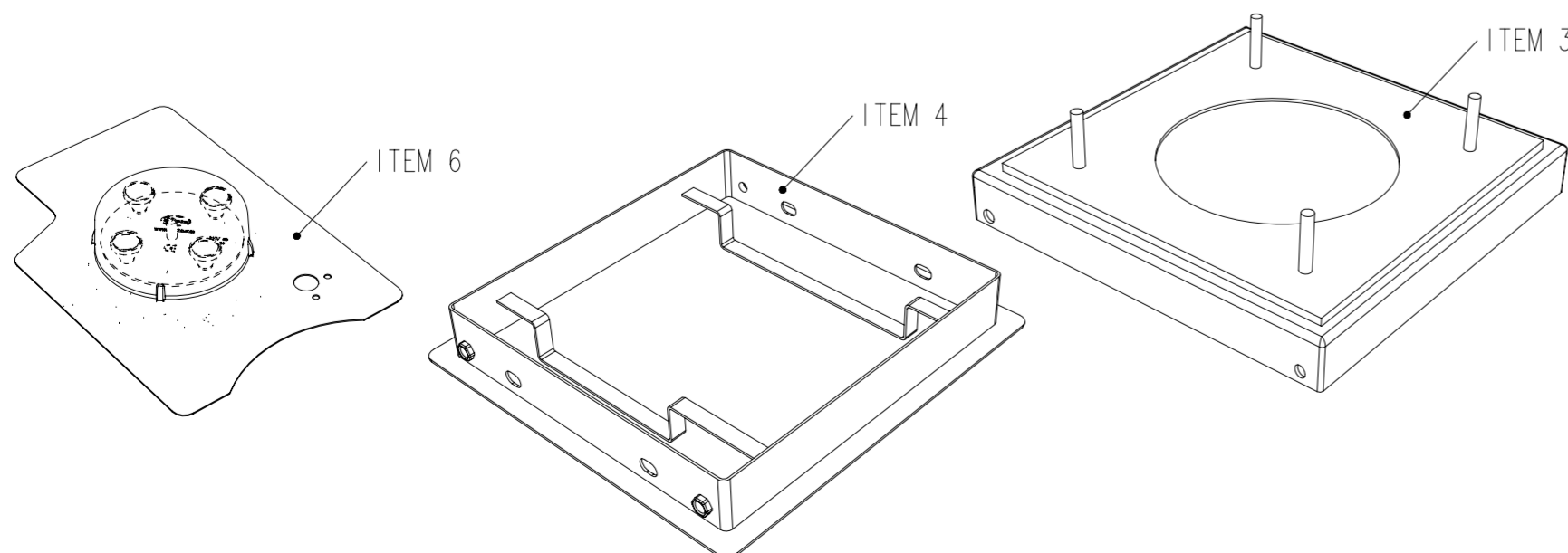
FRONT VIEW

RETROREFLECTIVE & INTERNALLY ILLUMINATED SIGNFACE:  
 AVERY DENNISON T6500T or 3M DG3 4090T TRANSLUCENT Ø300mm SIGN: 606, 610, 611 OR 616

RETROREFLECTIVE & INTERNALLY ILLUMINATED CONSPICUITY PANELS:  
 AVERY DENNISON T11111 or 3M DG3 TRANSLUCENT FLUORESCENT YELLOW.

● SIDE FRONT / (REAR)  
 NB: OPTION OF ONE OR TWO SIDE PANELS PER SIDE

### SPECIFIC L.E.D. POD CONVERSION & BASELIGHT ADAPTOR PLATE & COLLAR



website: [www.glasdon.com](http://www.glasdon.com)  
 e-mail: [sales@glasdon.com](mailto:sales@glasdon.com)  
 Telephone: 01253 600400  
 Facsimile: 01253 792558

Copyright and/or design right in this representation and the product it depicts is reserved by Glasdon Group Limited. The issue of this drawing, is a confidential disclosure of its contents, and is made on condition that it is neither disclosed to a third party, nor any item described here in and designed by Glasdon Group Limited, is produced either in whole or in part without the written consent of Glasdon Group Limited.

SPECIFICATION NUMBER - 02S070-S16 ISSUE 04

GLASDON GROUP LTD 21/09/11 SHEET SIZE: A2