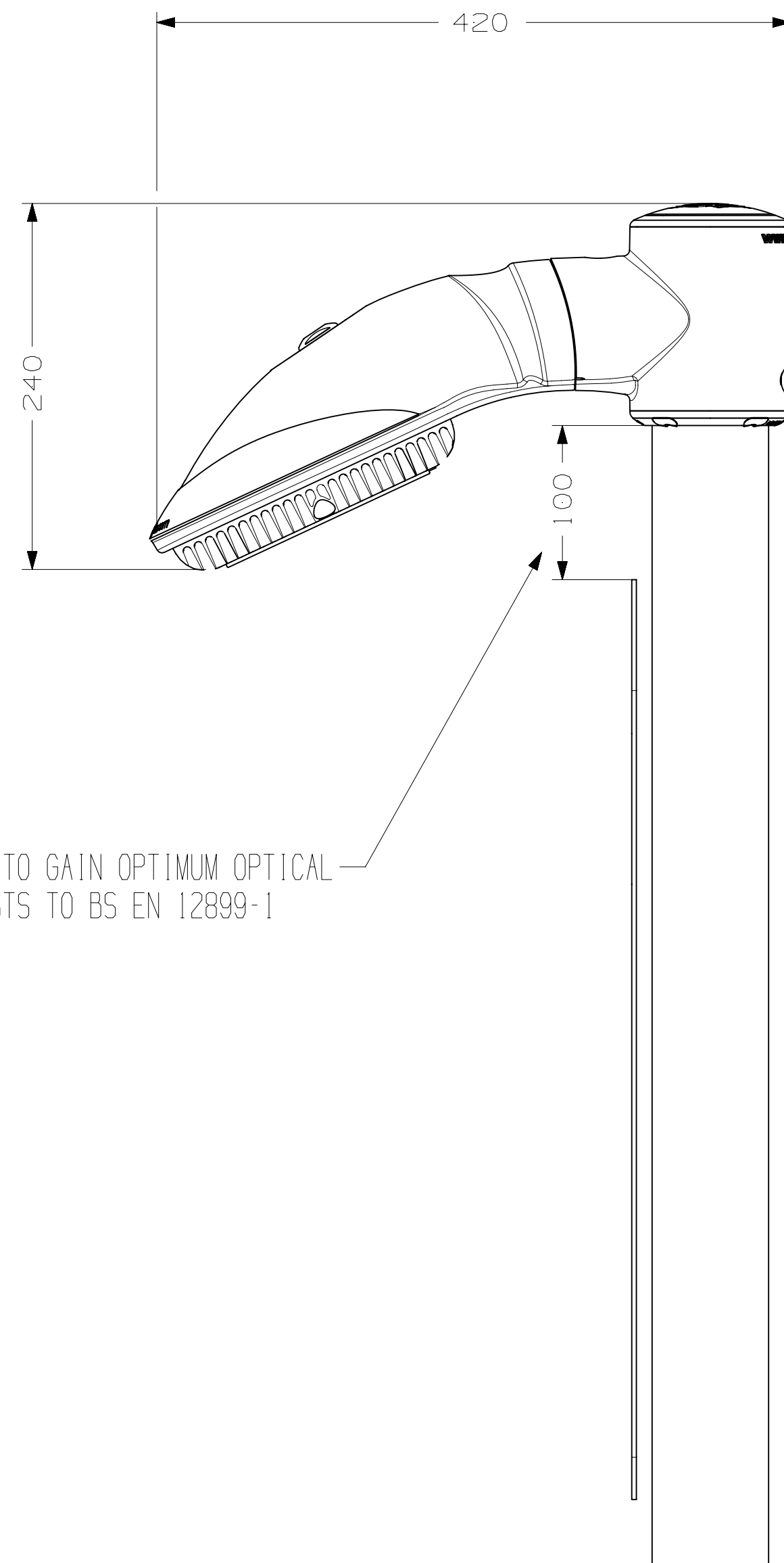
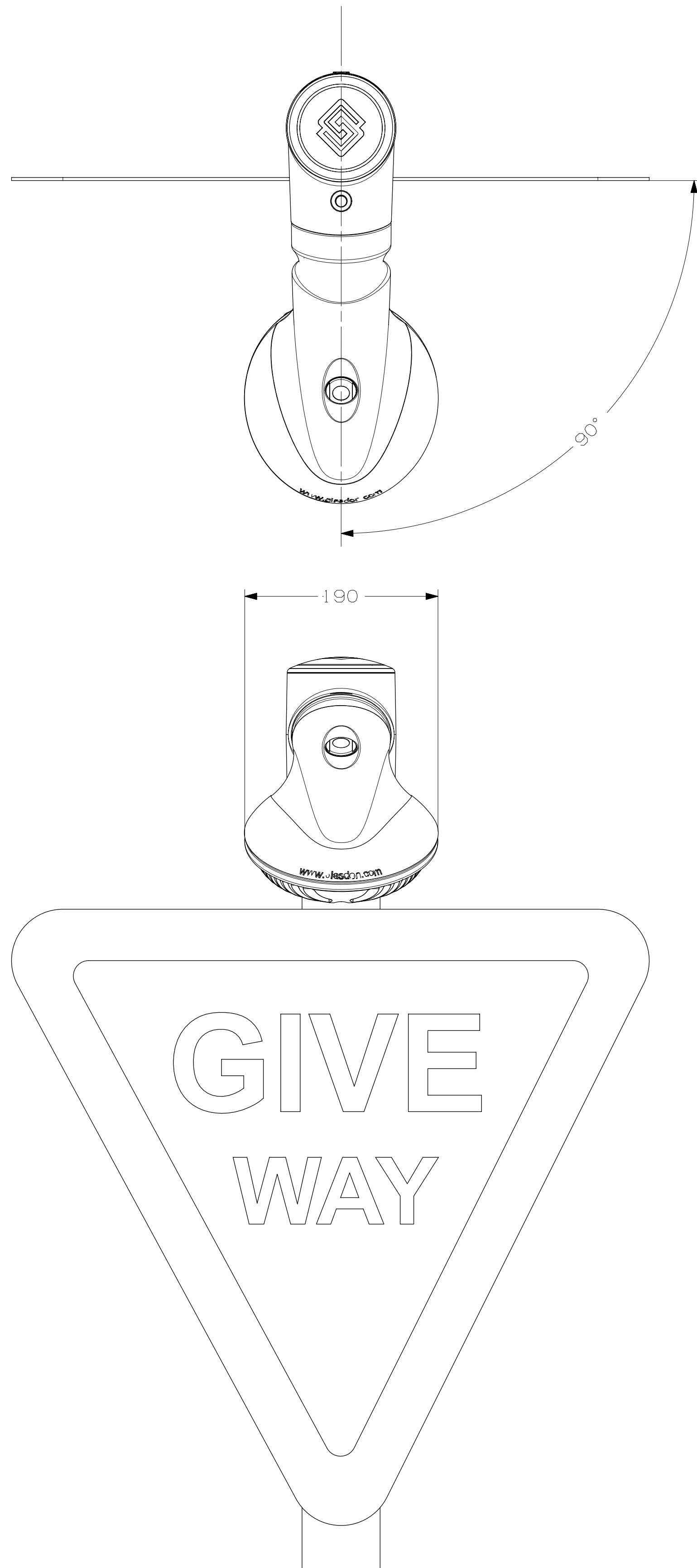


# MODEL SPECIFICATION

## LUMINO CITY 750™

AVAILABLE IN:  
230V AC & 24V AC



### PRODUCT INFORMATION:

- DESCRIPTION - TRAFFIC SIGNAL LIGHT LUMINAIRE:  
IP66 SEALED L.E.D. SIGNAL LIGHT UNIT C/W 5m FLEX LEAD AND A RANGE OF BRACKET OPTIONS FOR ALL POLE VARIANTS AND WALL MOUNTING.
- AVAILABLE IN 230v AC AND 24v AC/DC
- FOR USE WITH SIGNS UPTO 750x750mm
- WEIGHT - SINGLE UNIT - 2.5 Kg  
DOUBLE UNIT - 4.6 Kg  
UNIVERSAL SINGLE UNIT - 2.1 Kg  
(ALL C/W RELEVANT BRACKETS)
- MATERIAL - SIGNAL LIGHT ARM - IMPACTAPOL®  
BRACKETS AND HEATSINK - HIGH GRADE ALUMINIUM  
CAP AND CONVERSION COLLAR - IMPACTAPOL®  
ALL FIXINGS - STAINLESS STEEL
- DIMENSIONS - ALL DIMENSIONS IN mm UNLESS OTHERWISE STATED.
- CONFORMITY - LUMINO CITY 750™ CONFORMS TO BS EN 12899-1:2007  
7.4.1.2 MEAN ILLUMINANCE TABLE 22 CLASS E2 AND  
7.4.1.3 UNIFORMITY OF ILLUMINANCE TABLE 23 CLASS UE2
- SPECIFICATION - 230V AC: 4x L.E.D - OUTPUT: 2 WATTS, OR  
24V AC: 2x L.E.D - OUTPUT AT:  
2.4 WATTS (DIRECT 24V SUPPLY) OR  
3.0 WATTS (VIA GLASDON TRANSFORMER)
- UMSUG CODES - 230V AC: 42 0002 0000 100  
24v AC: 40 0002 0002 100 (WITHOUT TRANSFORMER)  
24v AC: 40 0003 0009 100 (WITH TRANSFORMER)

### INSTALLATION:

- ORIENTATE AS SHOWN WITH SIGNAL LIGHT AT 90 DEGREES TO THE SIGNFACE. WE RECOMMEND THE TOP OF SIGN TO BE 100mm FROM THE BASE OF THE BRACKET IN ORDER TO CONFORM WITH THE BS EN STANDARD SPECIFIED ABOVE.

#### IMPORTANT SAFETY NOTES:

ENSURE THAT PERSONNEL CARRYING OUT THIS INSTALLATION HAVE THE RELEVANT QUALIFICATIONS/CERTIFICATES AND ALL WORK IS CARRIED OUT IN ACCORDANCE WITH BS6771:2008/1.E.E. WIRING REGULATIONS 17TH EDITION.

ENSURE THAT ALL RELEVANT PERSONNEL READ THE POINTS LISTED WITHIN THE USER INSTALLATION INSTRUCTION LEAFLET SUPPLIED WITH THE PRODUCT.

STAFF INVOLVED WITH THE INSTALLATION AND MAINTENANCE OF THIS PRODUCT, GLASDON RECOMMENDS THAT A FULL HEALTH AND SAFETY ANALYSIS IS CARRIED OUT PRIOR TO INSTALLATION.

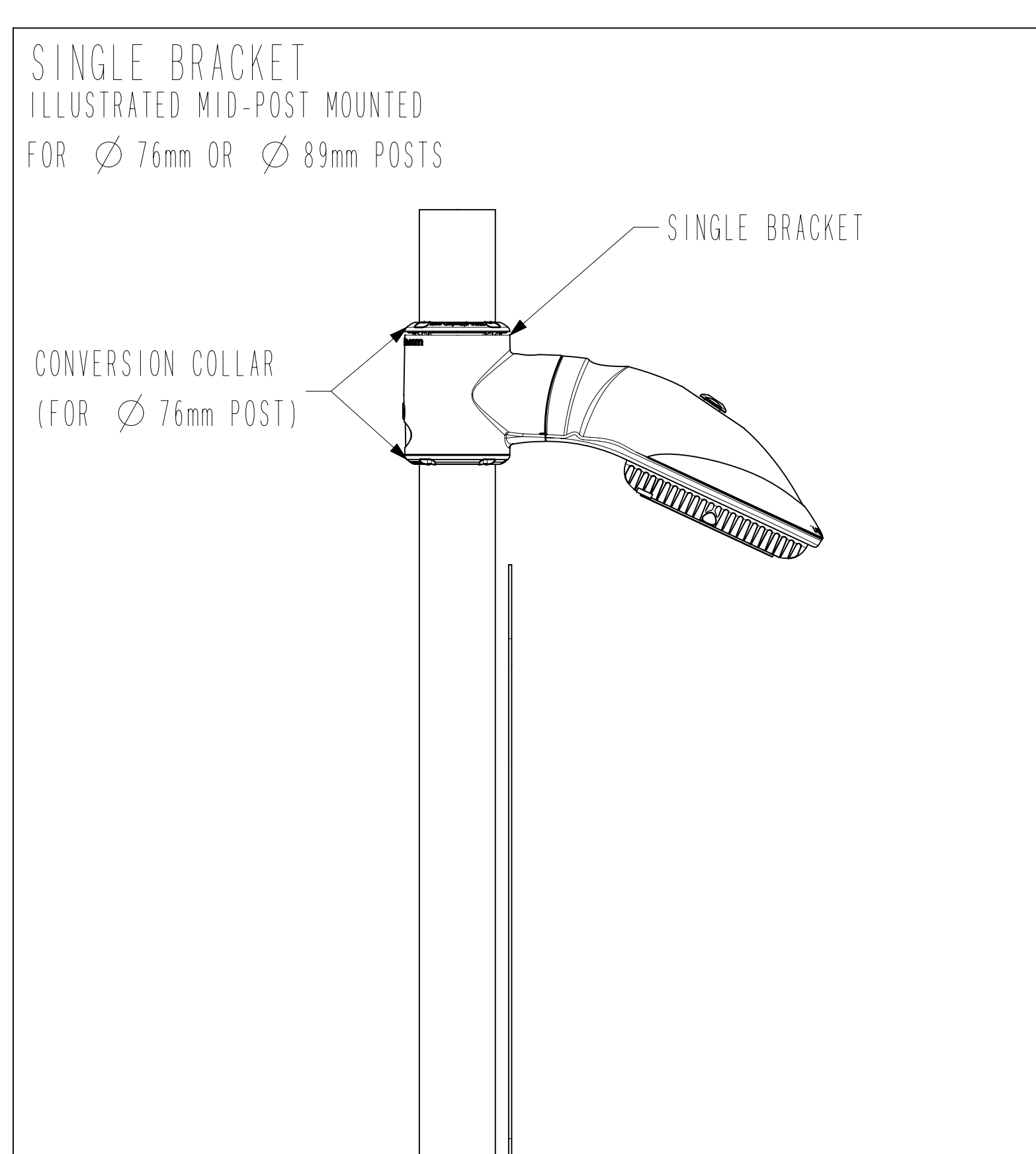
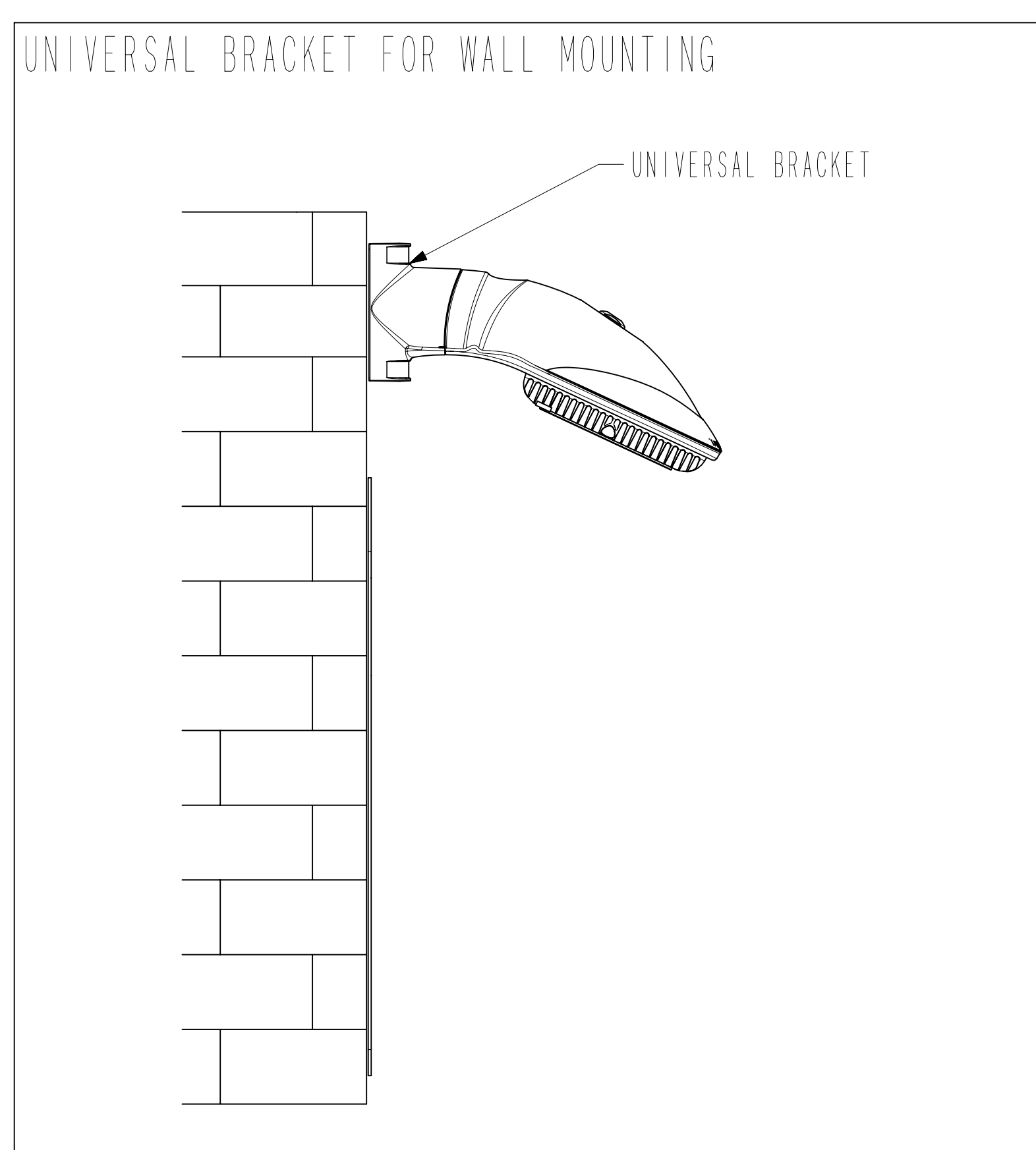
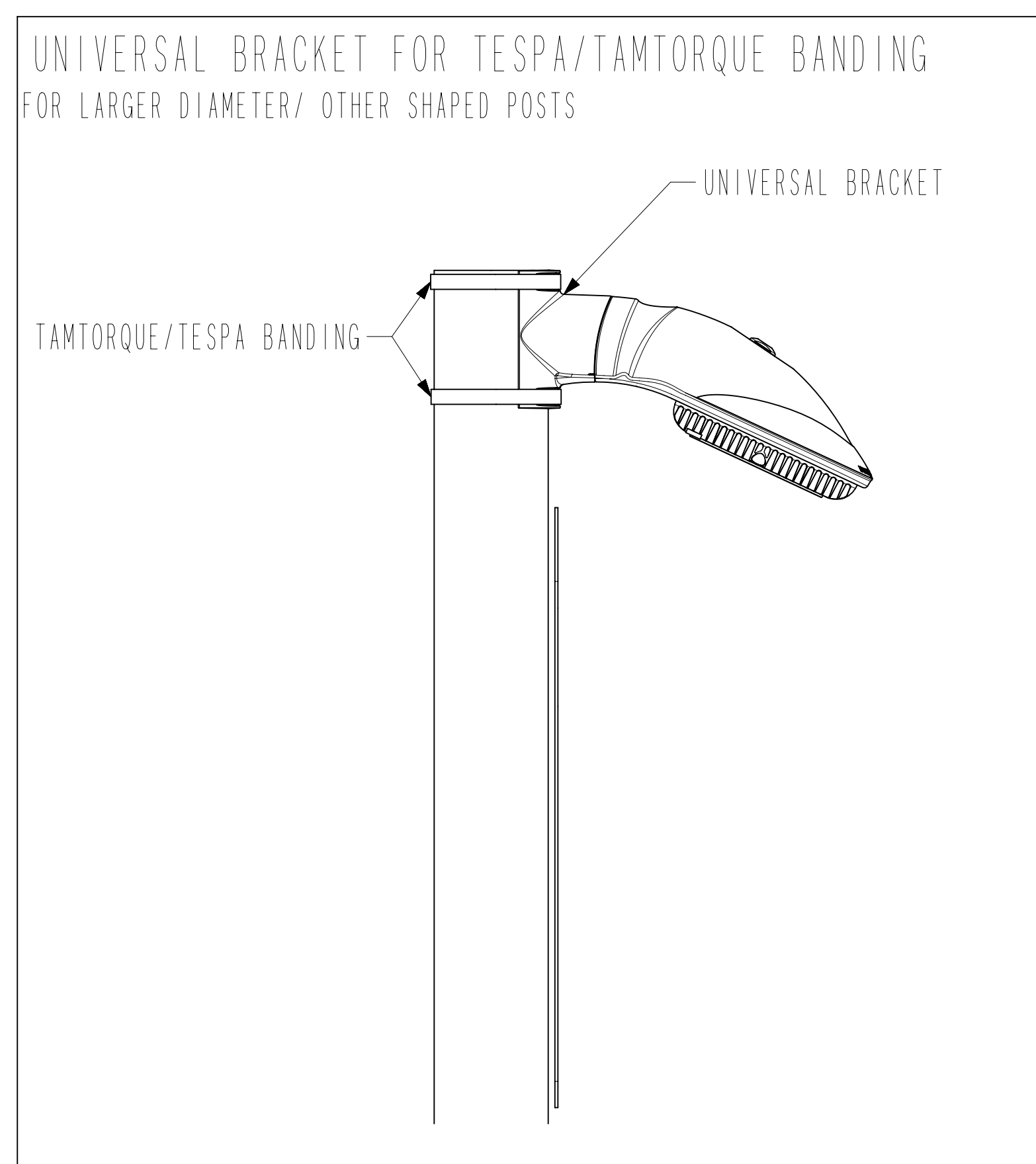
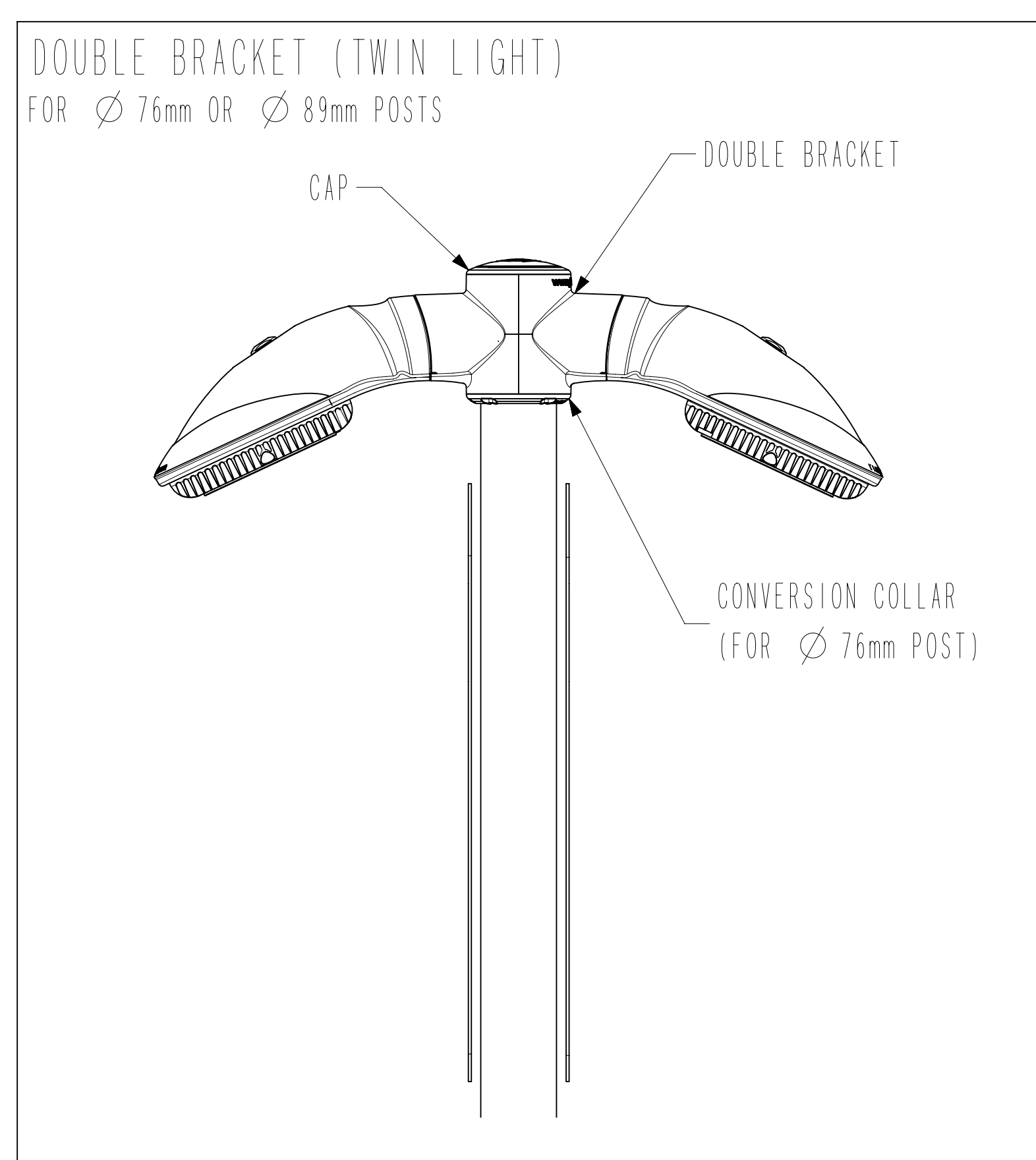
ISOLATE LIVE ELECTRICS PRIOR TO INSTALLATION.

### OPTIONS AVAILABLE FOR THE PRODUCT:

- SINGLE BRACKET FOR Ø 76mm AND Ø 89mm POSTS.
- DOUBLE BRACKET FOR Ø 76mm AND Ø 89mm POSTS.  
NOTE: SINGLE AND DOUBLE BRACKETS COME C/W CAP & CONVERSION COLLAR FOR Ø 76mm POSTS.
- UNIVERSAL BRACKET FOR LARGER DIAMETER & OTHER SHAPED POSTS.
- UNIVERSAL BRACKET FOR WALL MOUNTING.
- Ø 76mm POST MID-MOUNT CLAMP BRACKET (SINGLE & DOUBLE ASPECT)
- Ø 76mm POST OFFSET CONVERSION BRACKET (L/H, R/H & DOUBLE ASPECT)
- Ø 76mm POST MID-MOUNT OFFSET CONVERSION BRACKET (SINGLE & DOUBLE ASPECT)
- PHOTOCELL KIT: STANDARD: 70-35 LUX (230v or 24v)  
OR 55-28 LUX OPTION AVAILABLE ON REQUEST.
- REMOTE MONITORING DEVICES CAN BE INSTALLED ON REQUEST.  
(E.G HARVARD MAGNODE AND TELENSA TELECELL UNITS CATERED FOR.)
- COLOUR OPTIONS: GREY OR BLACK.

### SPARES ARE AVAILABLE, WHICH INCLUDE:

- 230v AC IP66 SEALED L.E.D. SIGNAL LIGHT UNIT C/W 5m FLEX LEAD OR
- 24v AC IP66 SEALED L.E.D. SIGNAL LIGHT UNIT C/W 5m FLEX LEAD.
- THE RANGE OF BRACKETS AS LISTED ABOVE.
- SPARE PHOTOCELLS.
- TAMTORQUE/TESPA BANDING KITS.



website: [www.glasdon.com](http://www.glasdon.com)  
e-mail: [sales@glasdon.com](mailto:sales@glasdon.com)  
Telephone: 01253 600400  
Facsimile: 01253 792558

Copyright and/or design right in this representation and the product it depicts is reserved by Glasdon Group Limited. The issue of this drawing, is a confidential disclosure of its contents, and is made on condition that it is neither disclosed to a third party, nor any item described here in and designed by Glasdon Group Limited, is produced either in whole or in part without the written consent of Glasdon Group Limited.

SPECIFICATION NUMBER - 025080-S10 ISSUE 04

GLASDON GROUP LTD 14/03/13 SHEET SIZE:A2