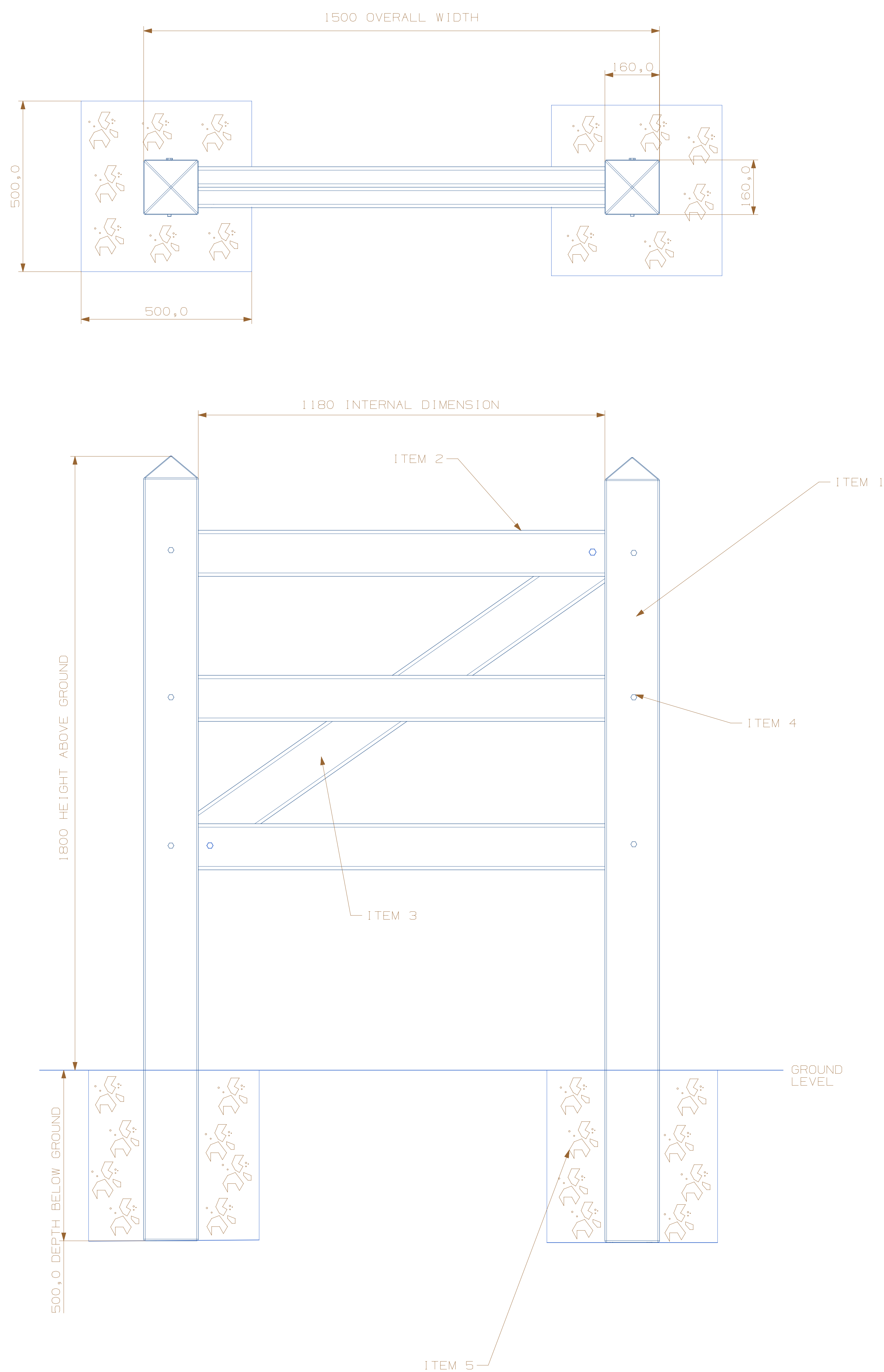


# MODEL SPECIFICATION

## GLASDON GATEWAY™ 1.5M WIDE - 1.8M TALL C/W CROSSBAR



### PRODUCT INFORMATION

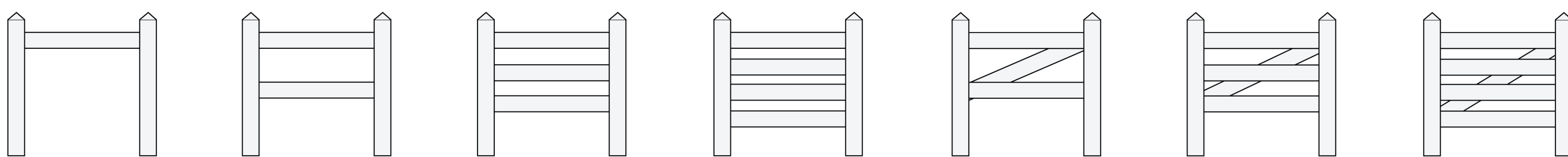
- WEIGHT - MODEL SHOWN  
1.5M X 1.8M - 32.6KG  
POST - 1.8m - 9.5KG  
1.3m - 7.5KG  
- SLAT - 3.4KG
- MATERIAL - EVERWOOD®
- COLOURS - WHITE, DARK OAK & LIGHT OAK
- DIMENSIONS - ALL DIMENSIONS IN MM UNLESS OTHERWISE STATED
- ASSEMBLY - THE GATEWAY IS FLATPACKED AND REQUIRES FULL ASSEMBLY ON SITE
- ITEM 1 - POST
- ITEM 2 - SLAT
- ITEM 3 - CROSSBAR
- ITEM 4 - S/S HEX HEAD FIXING BOLT - M10 WASHER - M10 NYLOC NUT M10 SPACER
- ITEM 5 - QUICK SETTING CONCRETE (e.g. GRADE OC10)

### INSTALLATION OPTIONS

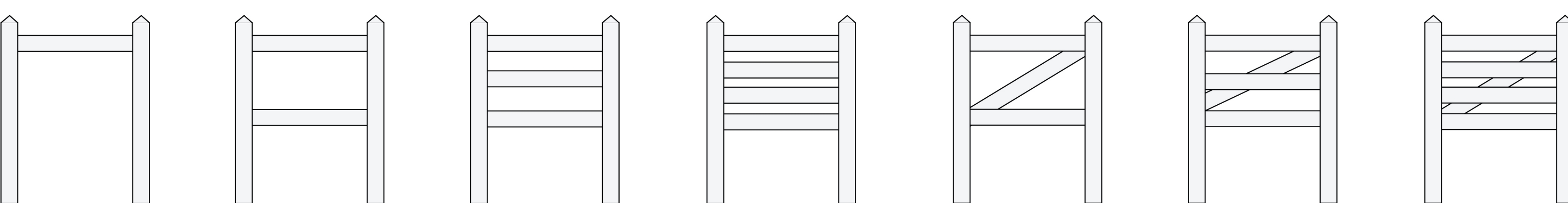
- STANDARD GATEWAY SIZES:
  - 1.8M TALL MODEL - 2000MM WIDE - SEE 025083-03
  - ABOVE GROUND - 1500MM WIDE - MAIN VIEW
  - 960MM WIDE - SEE 025083-01
  - 1.3M TALL MODEL - 2000MM WIDE
  - ABOVE GROUND - 1500MM WIDE
  - 960MM WIDE
- L-SHAPED MODELS ALSO AVAILABLE SEE 025083-04
- EACH MODEL CAN COME WITH EITHER 1,2,3 OR 4 SLATS AND WITH OR WITHOUT A CROSS BAR. SEE OPTIONS BELOW
- SEE SALES GUIDE FOR DIMENSIONS AND SIZES OF VARIANTS AND SIGNAGE OPTIONS
- THE GATEWAY POSTS CAN BE CUT DOWN TO SIZE ON SITE TO THE DESIRED HEIGHT
- AVOID CONTACT WITH HOT TARMACADAM AS THIS WILL SERIOUSLY IMPAIR THE PERFORMANCE OF THE GATEWAY
- WE RECOMMEND INSTALLING WITH QUICK SETTING CONCRETE (e.g. GRADE OC10) BUT EXACT INSTALLATION REQUIREMENTS SHOULD BE ASSESSED FROM A SITE SURVEY.
- INSTALLATION NOTES:
  - (1) 2 HOLES APPROXIMATELY THE CORRECT DEPTH AND WIDTH APART ARE DUG IN THE POSITION SHOWN IN THE PLAN VIEW
  - (2) THE GATEWAY IS INSERTED INTO THE HOLES ENSURING THE HOLE IS THE CORRECT DEPTH
  - (3) ENSURE THE GATEWAY REMAINS VERTICAL AND LEVEL DURING THE CONCRETE SETTING PERIOD. THE HOLE IS BACK FILLED IN HARD GROUND WITH QUICK SETTING CONCRETE AND IS FINALLY TAMPED DOWN AND LEVELLED.
- DO NOT BACK FILL THE GATEWAY IN.

### 1.5M MODEL OPTIONS AVAILABLE

#### 1.3M ABOVE GROUND



#### 1.8M ABOVE GROUND



VISUAL REPRESENTATION ONLY



website: [www.glasdon.com](http://www.glasdon.com)  
 e-mail: [sales@glasdon.com](mailto:sales@glasdon.com)  
 Telephone: 01253 600400  
 Facsimile: 01253 792558

Copyright and/or design right in this representation and the product it depicts is reserved by Glasdon Group Limited. The issue of this drawing, is a confidential disclosure of its contents, and is made on condition that it is neither disclosed to a third party, nor any item described here in and designed by Glasdon Group Limited, is produced either in whole or in part without the written consent of Glasdon Group Limited.

SPECIFICATION NUMBER - 025083-SQ2      ISSUE 02

GLASDON GROUP LTD 11/06/14      SHEET SIZE: A2