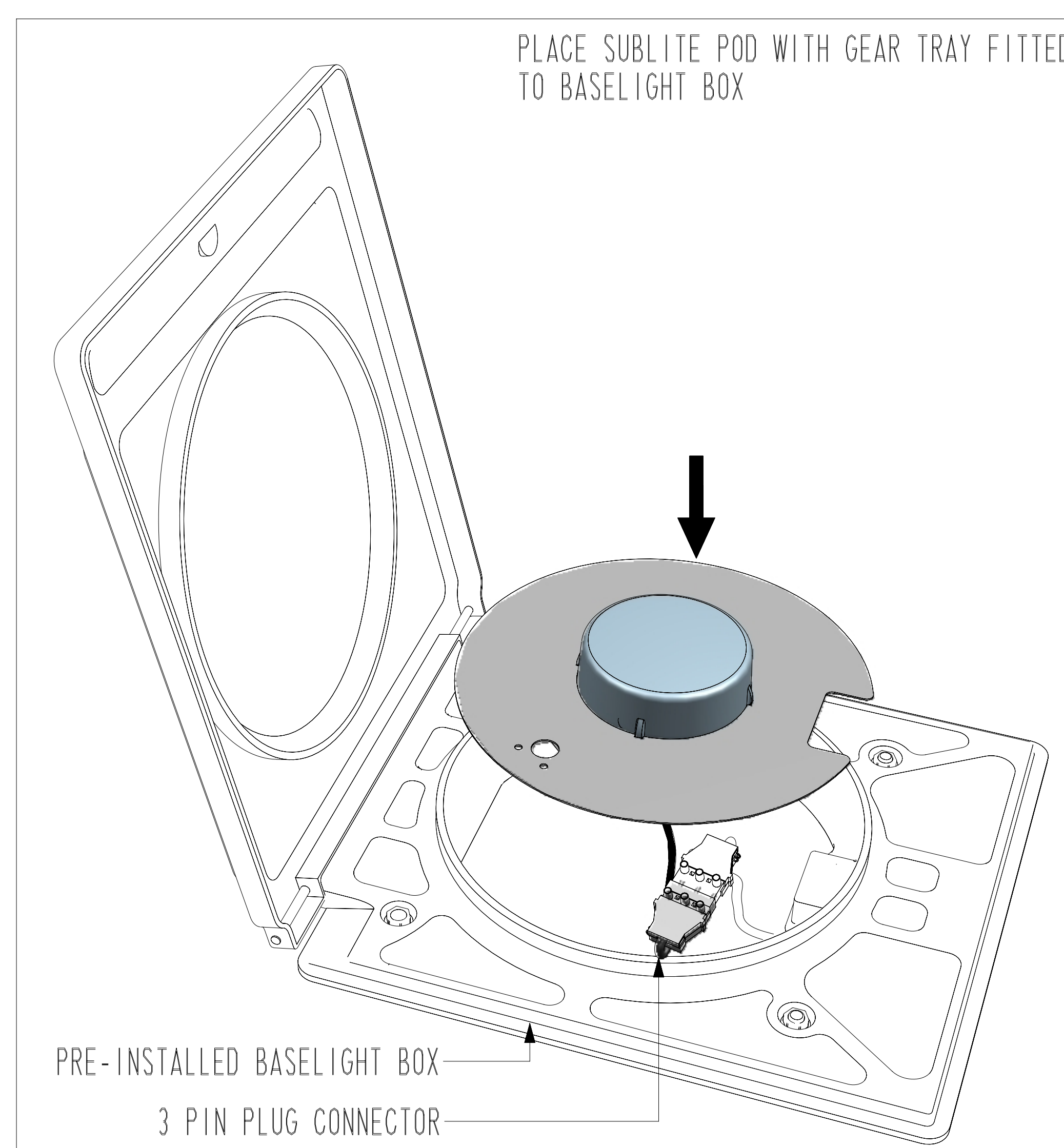
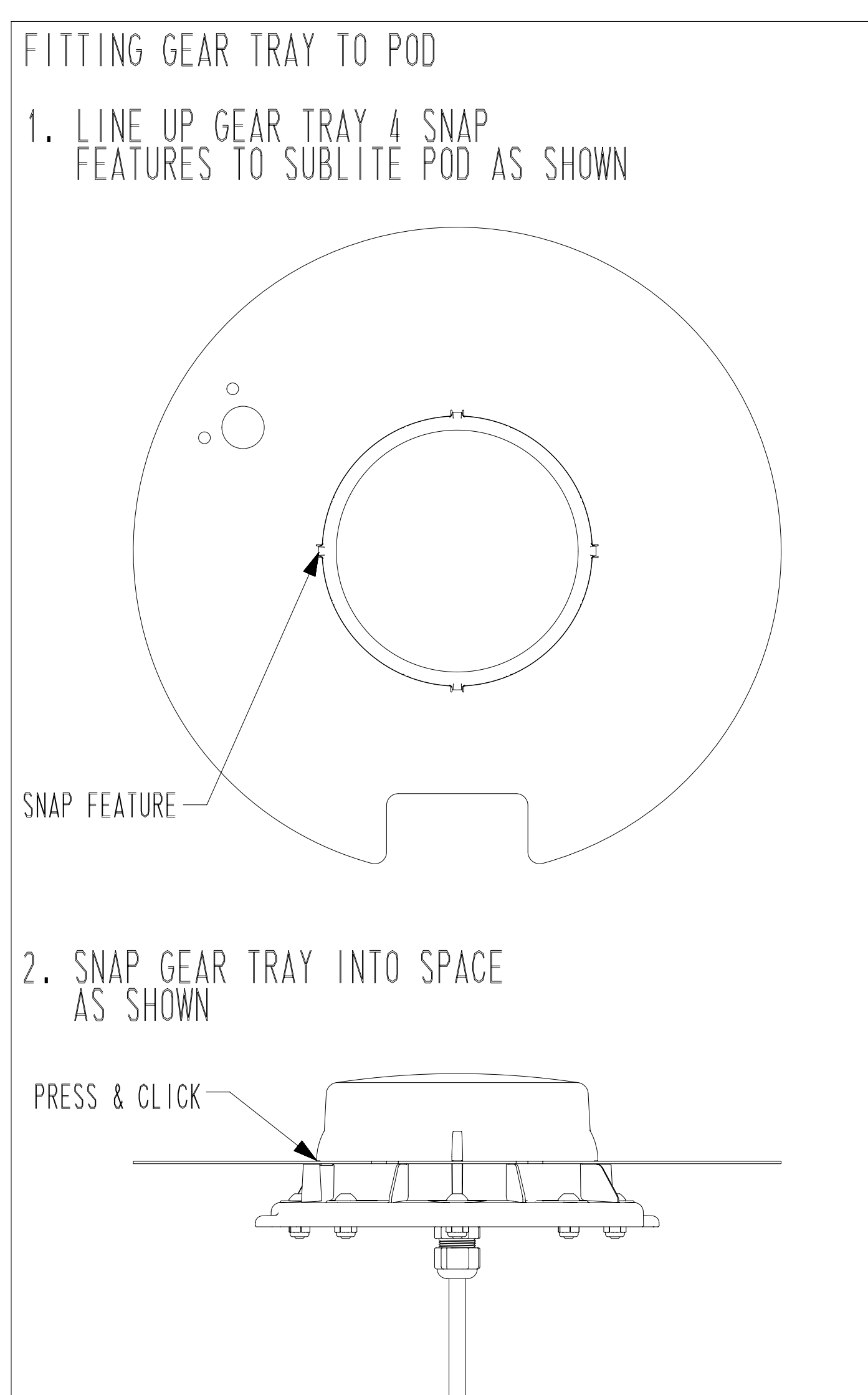
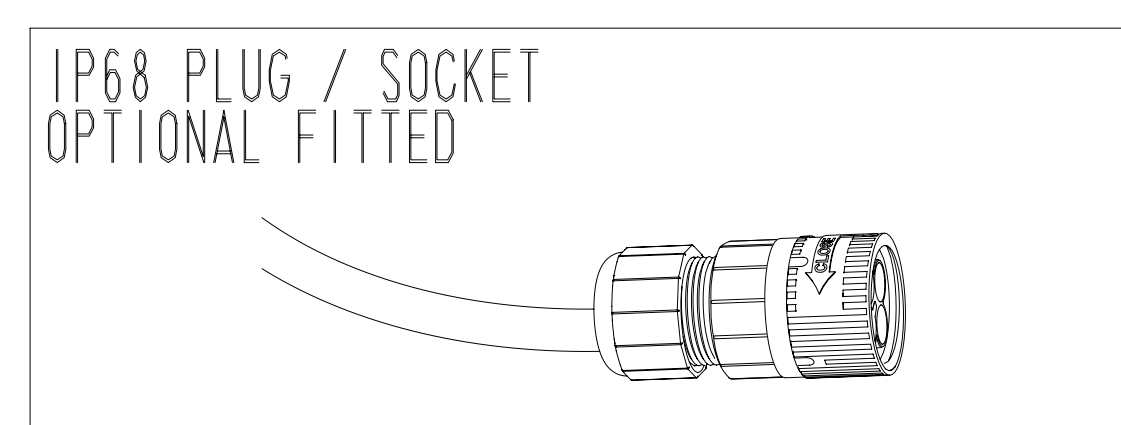
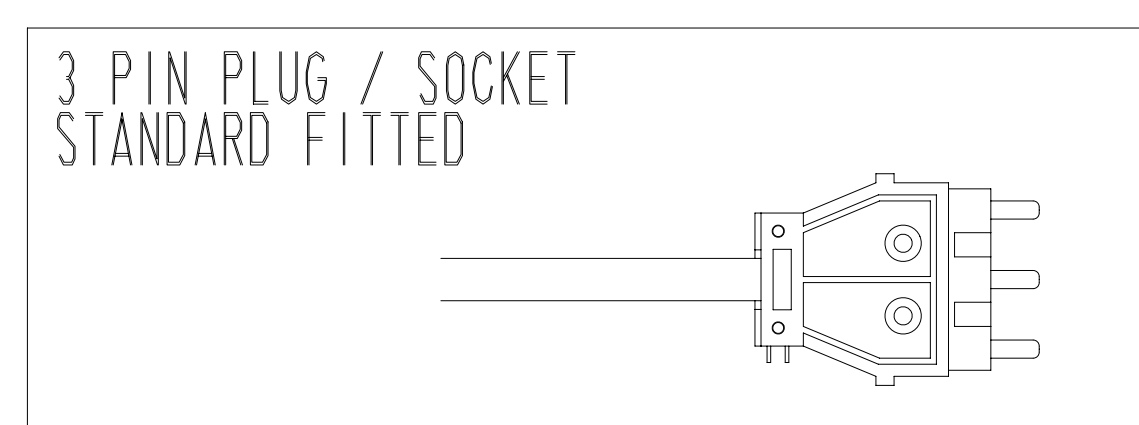
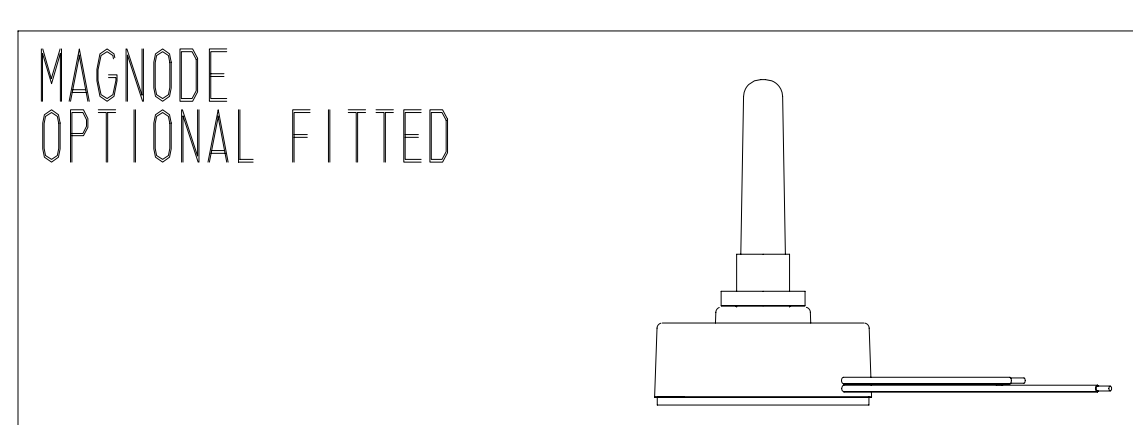
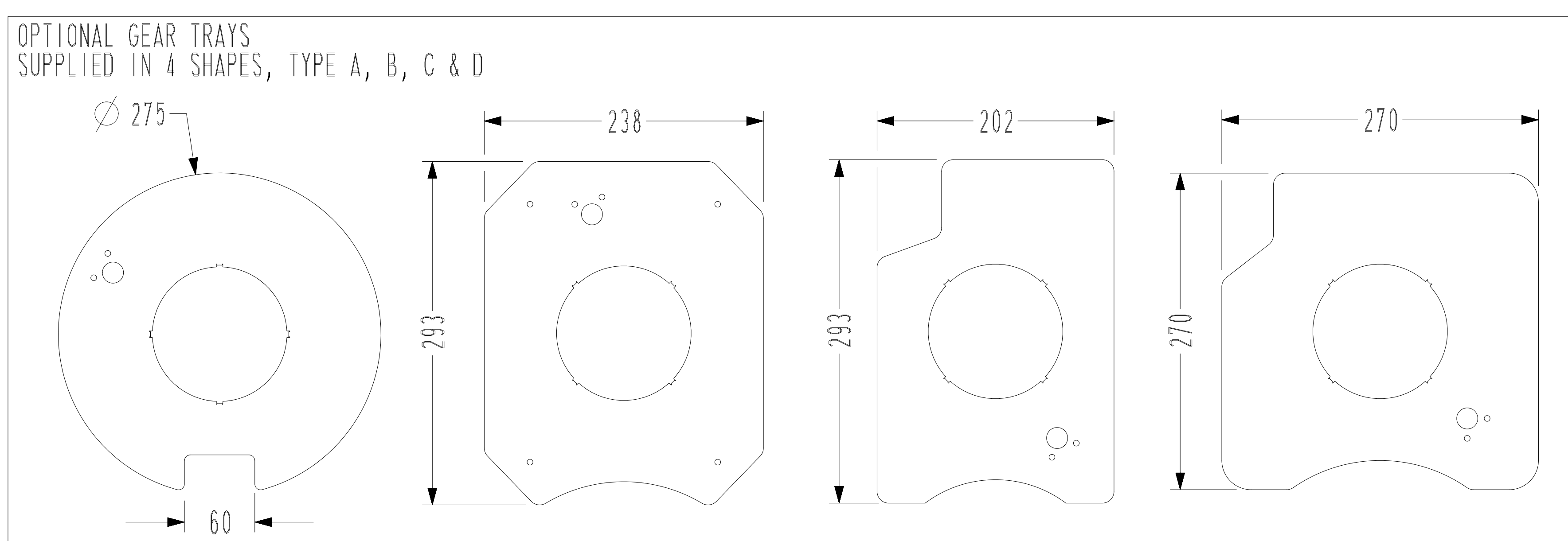
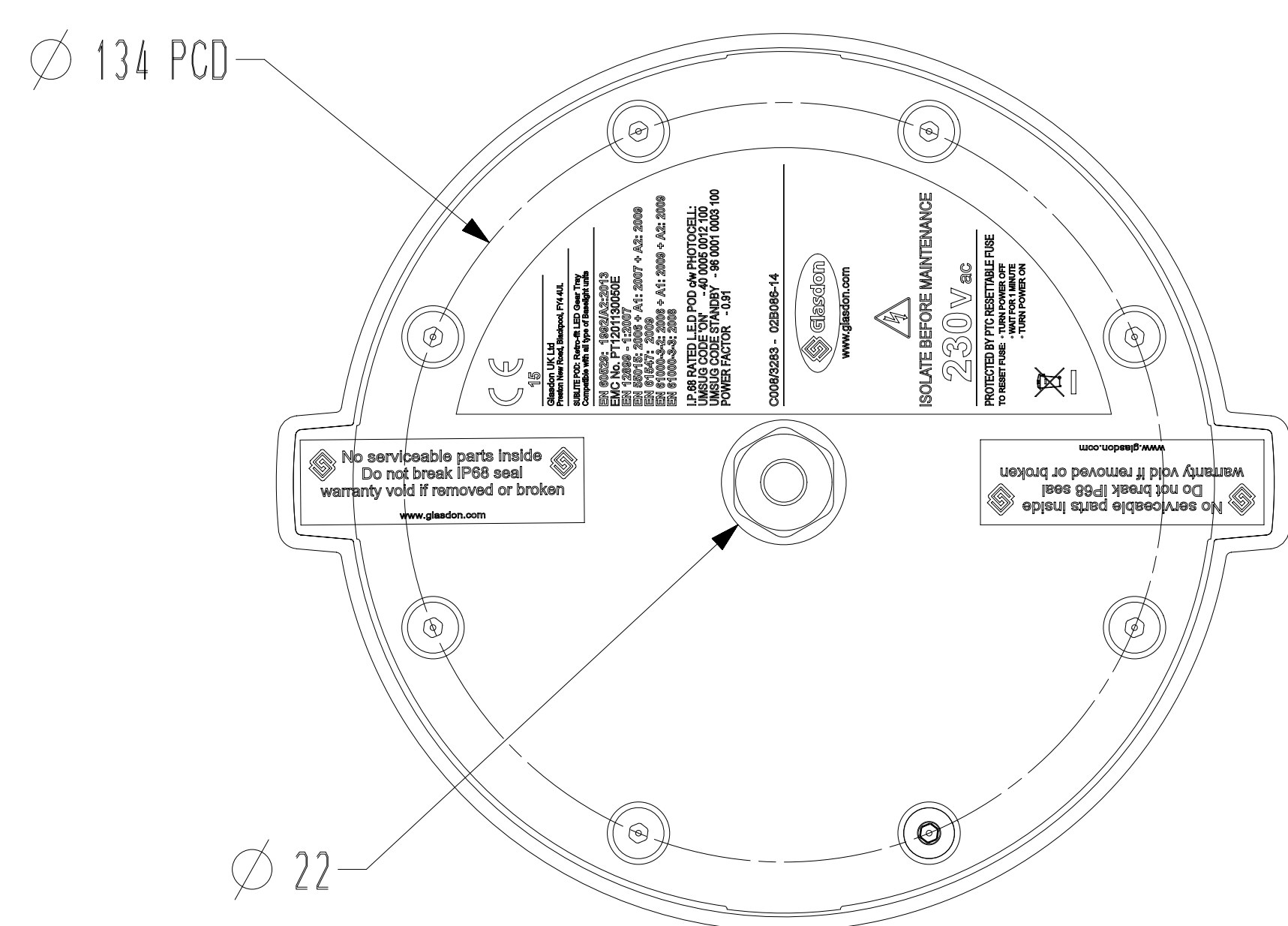
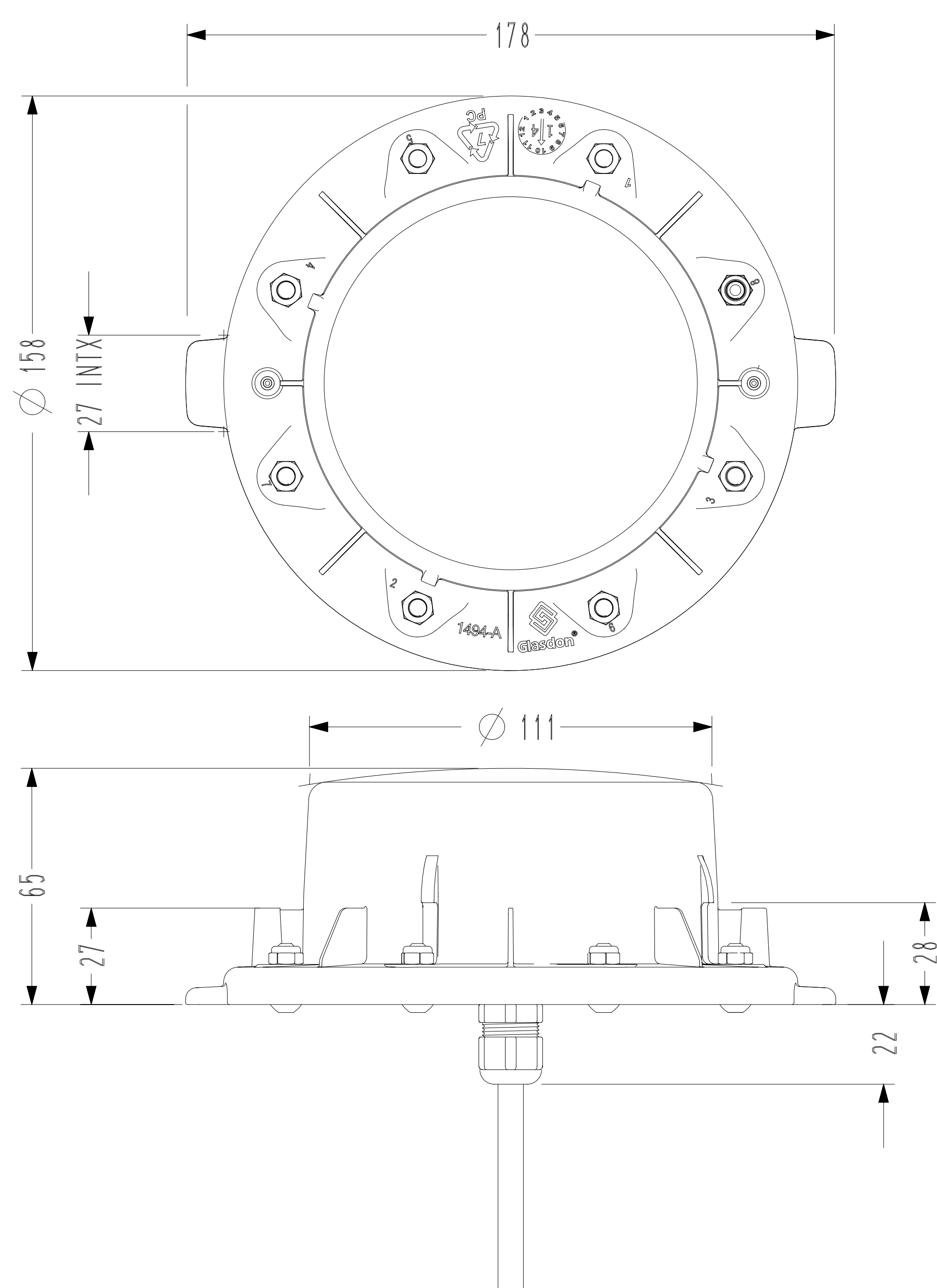


MODEL SPECIFICATION

SUBLITE™ POD



PRODUCT INFORMATION:

- WEIGHT - LED ENCLOSURE - 0.58 Kg
- MATERIAL - LED POD - POLYCARBONATE
BASE PLATE - ALUMINIUM
CABLE GLAND / CONNECTOR - NYLON
FLEX CABLE - RUBBER
- FINISH - CLEAR TRANSPARENT POD & CHROMATE ANODISED PLATE
- DIMENSIONS - ALL DIMENSIONS IN mm UNLESS OTHERWISE STATED.

OPTIONAL PARTS:

- CONNECTOR - IP68 PLUG AND SOCKET
- GEAR TRAYS - TYPE A, B, C AND D
- PHOTOCELL - COVER CAP
- SENSOR - REMOVE MONITORING DEVICES CAN BE INSTALLED ON REQUEST. (E.G. HARVARD MAGNODE CATERED FOR).

INSTALLATION GUIDE:

- PRIOR TO ANY ELECTRICAL WORK TAKING PLACE, ENSURE IT IS UNDERTAKEN BY SUITABLY QUALIFIED PERSONNEL AND THE ELECTRIC SUPPLY IS ISOLATED.
- REMOVE EXISTING BOLLARD.
- OPEN PRE-INSTALLED BASELIGHT BOX.
- FOR REPLACEMENT, REMOVE EXISTING LIGHT UNIT.
- USE APPROPRIATE ADAPTER GEAR TRAY RELATIVE TO THE TYPE OF BASELIGHT BOX, SNAP THE CORRECT TYPE OF GEAR TRAY ONTO LED POD FIRST BEFORE INSTALLING THE I.P. 68 RATED LED POD. FOLLOW THE SEPARATE INSTALLATION INSTRUCTIONS SUPPLIED WITH KIT.
- THE LED POD PLUG WILL SUPPLY CONNECT INTO THE ORIGINAL BASELIGHT SOCKET, BUT TO ENSURE I.P. RATING, WE RECOMMEND TO CHANGE EXISTING PLUG AND SOCKET TO AN I.P.68 RATED CONNECTOR (SEE OPTIONAL), OR REMOVING THE PLUG AND HARD WIRING THE LED POD DIRECTLY INTO AN I.P. RATED CUT-OUT UNIT AS PER THEIR OWN INSTALLATION INSTRUCTIONS.

TECHNICAL DATA:

- I.P.68 RATED LED POD C/W PHOTOCELL:
- 230v AC
TOTAL 'ON' POWER USE - 5.0 WATTS
STANDBY POWER USE - 0.33 WATTS
UNSG CODE 'ON' - 40 0005 0012 100
UMSUF CODE STANDBY - 96 0001 0003 100
POWER FACTOR - 0.91
- 24V AC (REQUIRES TRANSFORMER C008/3042)
TOTAL 'ON' POWER USE - 6.5 WATTS
STANDBY POWER USE - 1.5 WATTS
UNSG CODE 'ON' - 40 0005 0000 100
UMSUF CODE STANDBY - 96 0002 0000 100
POWER FACTOR - 0.48
- NOTE: TRANSFORMER C008/3042 REQUIRED FOR 24V UNITS CAN POWER UP TO 3X LED POD BASELIGHT UNITS (REFER TO MODEL SPECIFICATION: 02S070-S01)
- PLUG TYPE: 3 POLE TERMINAL BLOCK (BJB PART No. 48.271.0311.51) OR IP68 3 POLE TEEPLUG (HYLEC PART No. THB.387.A3A) ALWAYS ISOLATE PRIOR TO DISCONNECTION OR CONNECTION.



website: www.glasdon.com
e-mail: sales@glasdon.com
Telephone: 01253 600400
Facsimile: 01253 792558

Copyright and/or design right in this representation and the product it depicts is reserved by Glasdon Group Limited. The issue of this drawing, is a confidential disclosure of its contents, and is made on condition that it is neither disclosed to a third party, nor any item described here in and designed by Glasdon Group Limited, is produced either in whole or in part without the written consent of Glasdon Group Limited.

SPECIFICATION NUMBER - 02S086-S01 ISSUE 01

GLASDON GROUP LTD 04/02/15 SHEET SIZE:A2