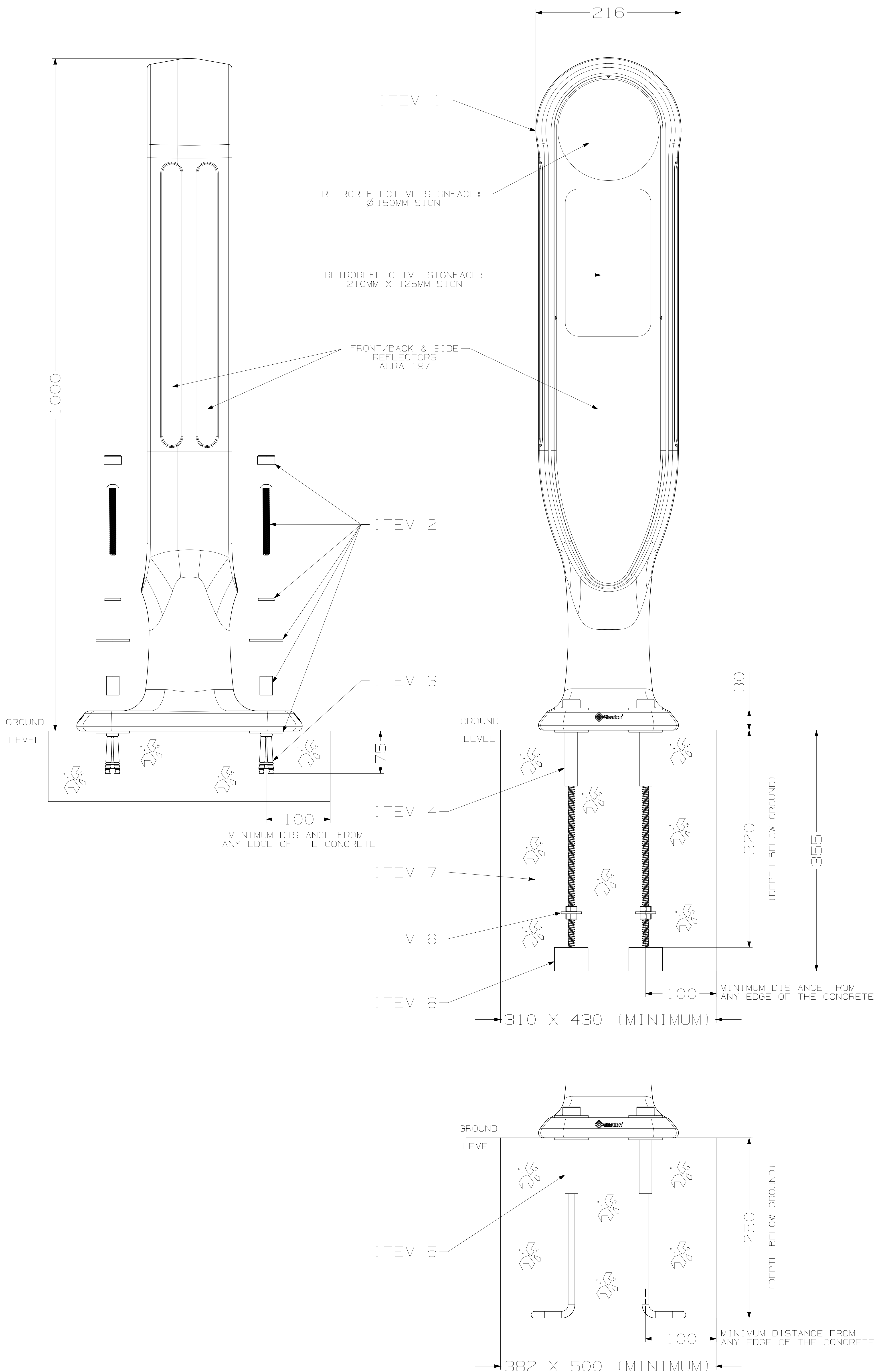
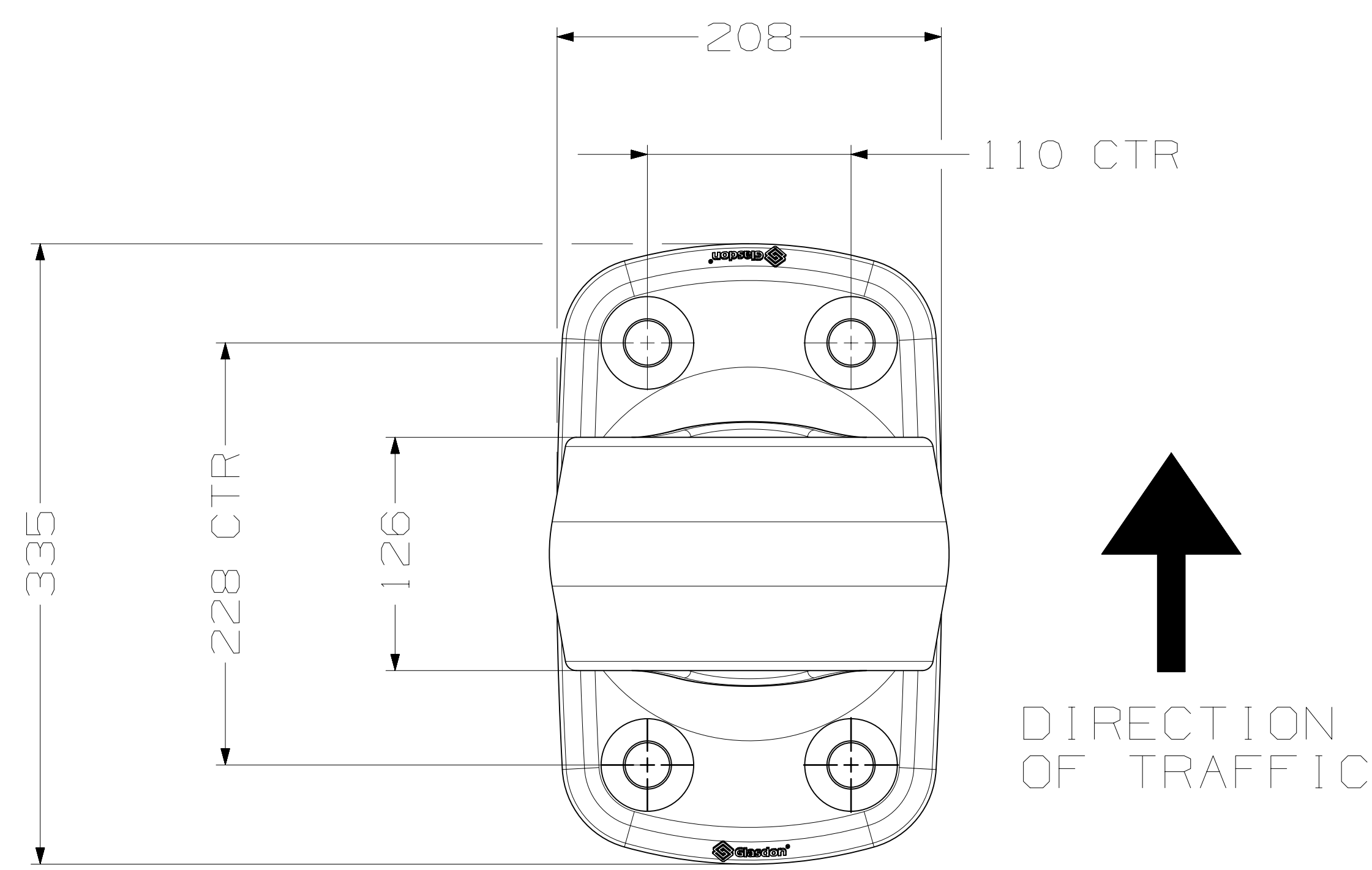


MODEL SPECIFICATION

CYCLEMASTER™

(BOLLARD C/W SURFACE MOUNT FIXINGS / ADJUSTABLE OR FIXED DEPTH CONCRETE-IN GROUND ANCHORS)



PRODUCT INFORMATION:

- **WEIGHT** - BOLLARD - 3.5KG DURAPOL® / 5.5KG IMPACTAPOL®
 - FIXINGS - 0.6 KG 1OPT 1: SURFACE MOUNT FIXINGS1 OR
 - 1.3 KG 1OPT 2: ADJ DEPTH ANCHOR BARI OR
 - 1.1 KG 1OPT 3: FIXED DEPTH ANCHOR BARI
 TOTAL - 4.1KG / 4.8KG / 4.6KG FOR DURAPOL®
 - 6.1KG / 6.8KG / 6.6KG FOR IMPACTAPOL®
- **MATERIAL** - BOLLARD:
 - DURAPOL®/ IMPACTAPOL®
 - FIXINGS:
 - SCREWS & WASHERS - STAINLESS STEEL
 - SPACERS - RIGID PVC
 - OPT 1: SURFACE MOUNT FIXINGS - MS BZP
 - OPT 2: ADJ DEPTH ANCHOR BAR - MS BZP
 - OPT 3: FIXED DEPTH ANCHOR BAR - MS BZP
- **BODY COLOURS** - BLACK / WHITE
- **DIMENSIONS** - ALL DIMENSIONS IN MM UNLESS OTHERWISE STATED

INSTALLATION GUIDE:

- ITEM 1 - REMOVABLE BOLLARD
- ITEM 2 - FIXINGS FOR BOLLARD:
 - M10 SCREW COVER CAP & RETAINER WASHER X 4
 - M10 X 100MM SOCKET HEAD SCREW - S/S X 4
 - M10 X Ø 50MM X 3MM WASHER - S/S X 8
 - M10 X Ø 19 X 28MM SPACER - RIGID PVC X 4
- ITEM 3 - GROUND FIXING OPTION 1: SURFACE MOUNT FIXINGS X 4
- ITEM 4 - GROUND FIXING OPTION 2: ADJ DEPTH ANCHOR BAR X 4
- ITEM 5 - GROUND FIXING OPTION 3: FIXED DEPTH ANCHOR BAR X 2
- ITEM 6 - M10 X Ø 30MM X 1.5MM WASHER - S/S X 4
- ITEM 7 - SOLID CONCRETE FOUNDATION OR QUICK SETTING CONCRETE (eg. GRADE OC10)
- ITEM 8 - SUPPORT BLOCK:
 CAN BE ANYTHING SOLID TO ENSURE BOLLARD IS SUPPORTED AT THE CORRECT HEIGHT UNTIL THE CONCRETE HAS SET.

● ENSURE THAT ANY SIGNFACE FACES TOWARDS ONCOMING TRAFFIC

● FOR OPTION 1: SURFACE MOUNT FIXING:
 4 HOLES TO BE DRILLED FOR SURFACE MOUNT FIXINGS AND SCREWS Ø 16MM X 75MM (MIN DEPTH). ENSURE THE HOLES ARE LOCATED AT LEAST 100MM FROM ANY EDGE OF THE CONCRETE FOUNDATION.

WE RECOMMEND INSTALLING THE BOLLARD ON AN EXISTING SOUND CONCRETE FOUNDATION OR FOR SPEED, PREPARING THE SITE WITH QUICK SETTING CONCRETE (eg. GRADE OC10), BUT EXACT INSTALLATION REQUIREMENTS SHOULD BE ASSESSED FROM A SITE SURVEY.

AVOID CONTACT WITH HOT TARMACADAM AS THIS WILL SERIOUSLY IMPAIR THE PERFORMANCE OF THE BOLLARD.

- FOR OPTIONS 2 & 3: ADJ & FIXED DEPTH ANCHOR BARS (CONCRETE-IN):
 FIX THE BARS TO THE BOLLARD BEFORE INSTALLATION, AS THIS WILL ENSURE FIXING CENTERS ARE CORRECT AND PREVENT THE NEED TO REVISIT THE SITE ONCE CONCRETE HAS SET.

RECOMMENDED MINIMUM HOLE SIZE: 310 X 430 X 355MM DEEP (FOR ADJ DEPTH)
 382 X 500 X 250MM DEEP (FOR FIXED DEPTH)

IF DEPTH IS RESTRICTED TO LESS THAN 355MM WHEN USING OPTION 2, THEN THE "ADJ DEPTH ANCHOR FIXING BARS" CAN BE CUT DOWN IF REQUIRED, HOWEVER WE RECOMMEND USING THE SAME VOLUME OF CONCRETE BY INCREASING THE WIDTH OF THE HOLE TO COMPENSATE.

FOR SPEED WE RECOMMEND INSTALLING WITH QUICK SETTING CONCRETE (eg. GRADE OC10) BUT EXACT INSTALLATION REQUIREMENTS SHOULD BE ASSESSED FROM A SITE SURVEY.

OPTIONAL PARTS:

- OPTIONS AVAILABLE FOR THE PRODUCT:
 - BODY C/W FRONT & 2 X SIDE CONSPICUITY PANELS
 - BODY C/W REAR & 2 X SIDE CONSPICUITY PANELS
 - ADDITIONAL 2 X SIDE CONSPICUITY PANELS
 - PLUS A RANGE OF AUTHORISED SIGNFACES
- SPARES ARE AVAILABLE, WHICH INCLUDE:
 - BOLLARD C/W FIXINGS & RETROREFLECTIVE PATCHES
 - RETROREFLECTIVE PATCHES
 - RANGE OF SIGNFACES
 - FIXINGS

TECHNICAL DATA:

- SURFACE AREA OF CONSPICUITY PANELS:
 - FRONT : 102151.9627MM²
 - 2 X SIDE : 21821.2522MM²
- SURFACE AREA OF SIGNFACE:
 - ROUND : 17671.4587MM²
 - RECTANGULAR : 25906.6371MM²
- ALL REFLECTIVE MATERIALS SUPPLIED BY GLASDON UK ARE AS RECOMMENDED IN TABLE NA1 OF THE NATIONAL ANNEX OF BS EN 12899-1 2007 FIXED VERTICAL ROAD SIGNS. MICROPRISMATIC RETROREFLECTIVE MATERIALS USED ON OUR PRODUCTS MEET THE REQUIREMENTS OF BS 8408 2005 ROAD TRAFFIC SIGNS.



website: www.glasdon.com
 e-mail: sales@glasdon.com
 Telephone: 01253 600400
 Facsimile: 01253 792558

Copyright and/or design right in this representation and the product it depicts is reserved by Glasdon Group Limited. The issue of this drawing, is a confidential disclosure of its contents, and is made on condition that it is neither disclosed to a third party, nor any item described here in and designed by Glasdon Group Limited, is produced either in whole or in part without the written consent of Glasdon Group Limited.

SPECIFICATION NUMBER - 025089-S01	ISSUE 01
GLASDON GROUP LTD 25/07/19	SHEET SIZE:A2