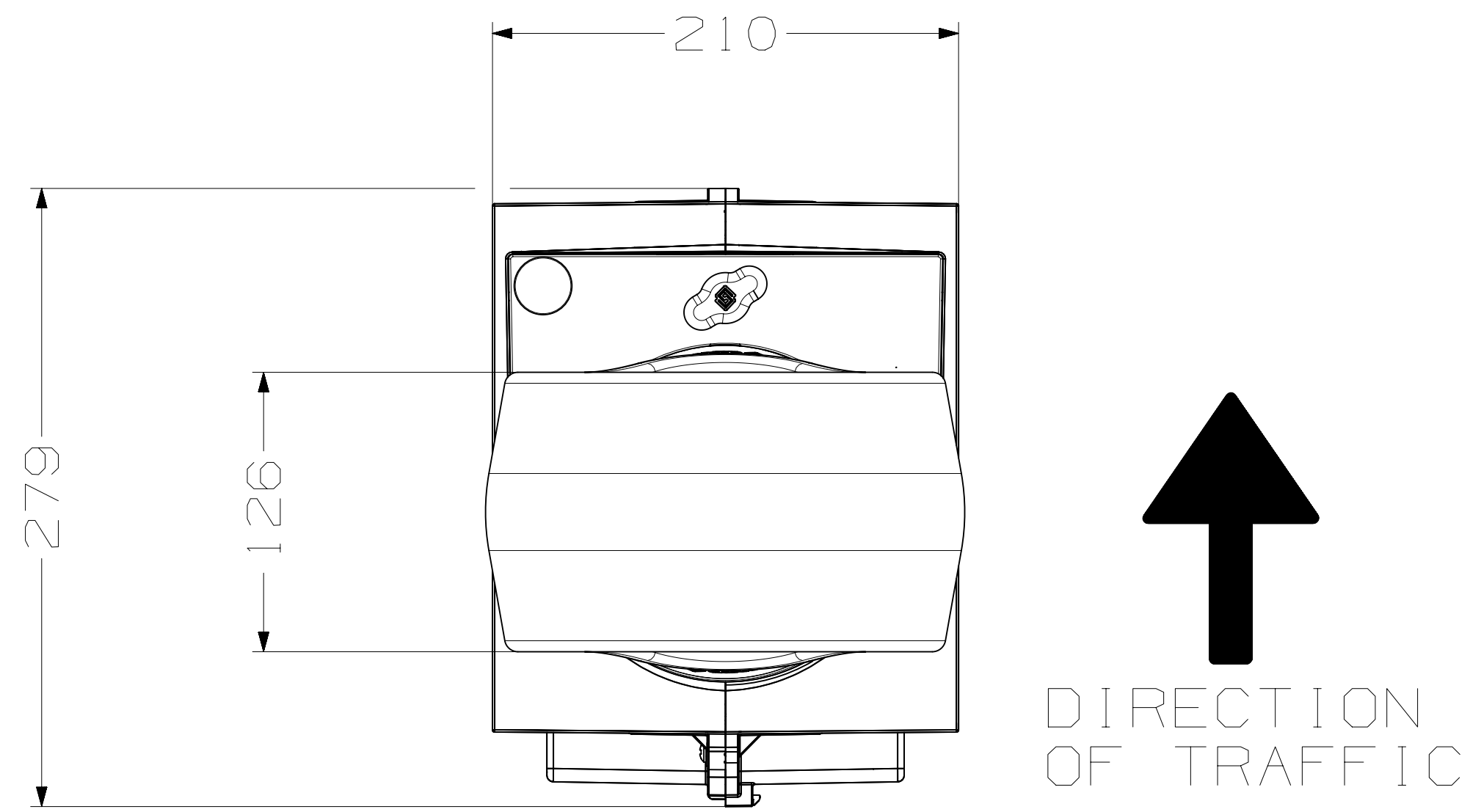


MODEL SPECIFICATION

CYCLEMASTER™ (BOLLARD C/W SOCKET)



PRODUCT INFORMATION:

- WEIGHT - BOLLARD - 3.5KG DURAPOL® / 5.5KG IMPACTAPOL®
- SOCKET - 1.4KG
- TOTAL - 4.9KG DURAPOL® / 6.9KG IMPACTAPOL®
- MATERIAL - BOLLARD:
- DURAPOL® / IMPACTAPOL®

- FIXINGS:
- SCREWS - STAINLESS STEEL
- WASHERS - STAINLESS STEEL
- ANCHOR - RIGID PVC
- BODY COLOURS - BLACK / WHITE
- DIMENSIONS - ALL DIMENSIONS IN MM UNLESS OTHERWISE STATED

INSTALLATION GUIDE:

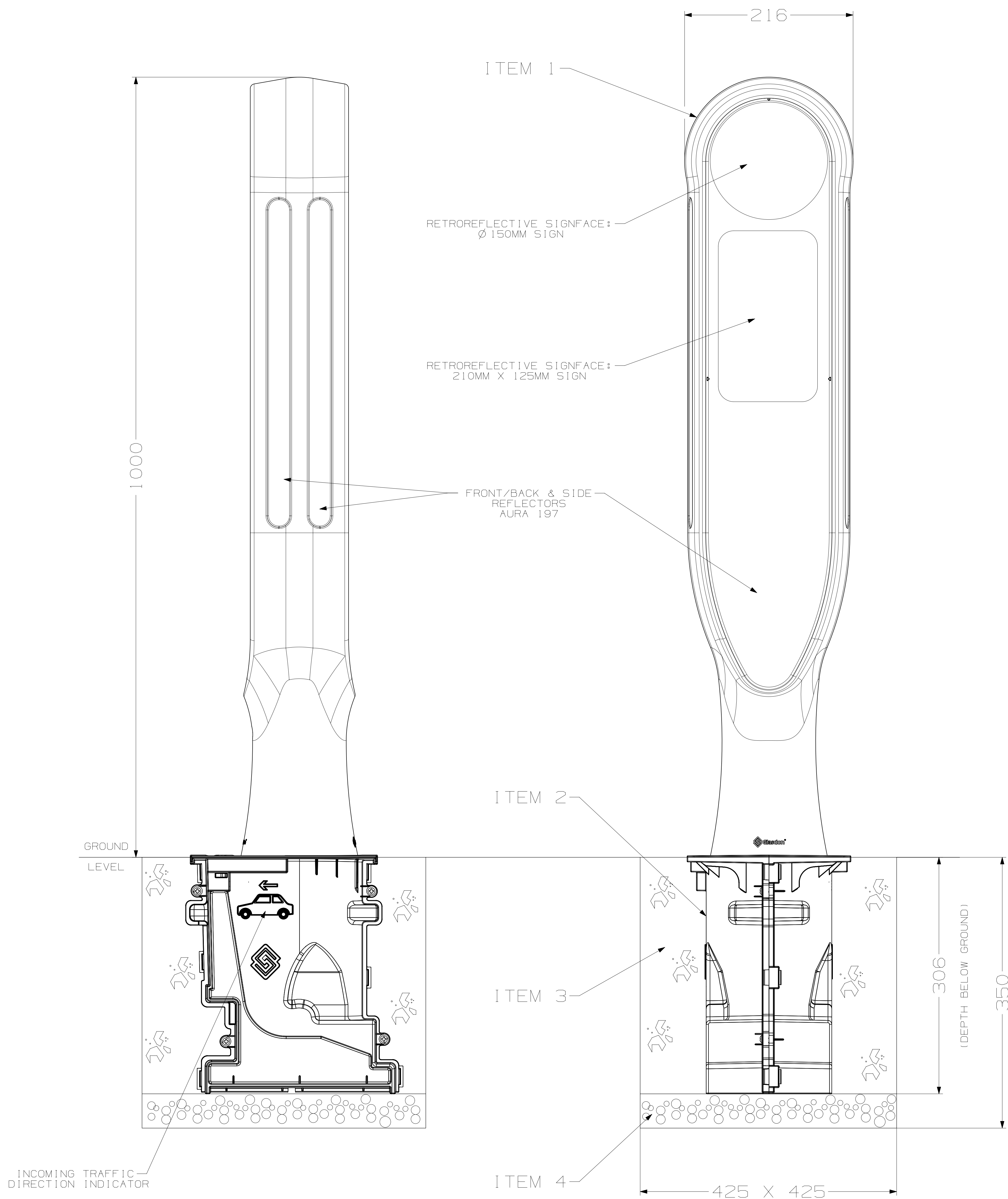
- ITEM 1 - REMOVABLE BOLLARD
- ITEM 2 - CONCRETE-IN SOCKET
- ITEM 3 - CONCRETE
- ITEM 4 - GRAVEL
- ENSURE THAT ANY SIGNFACE FACES TOWARDS ONCOMING TRAFFIC
- RECOMMENDED HOLE SIZE 425 X 425 X 350MM DEEP.
- WE RECOMMEND THE SOCKET IS BEDDED ON GRAVEL FOR DRAINAGE.
- COVER SOCKET TO AVOID BUILD UP OF CONCRETE/GRAVEL FALLING IN WHICH WILL PREVENT BOLLARD SEATING AND LOCKING.
- EXACT INSTALLATION REQUIREMENTS SHOULD BE ASSESSED FROM A SITE SURVEY.
- AVOID CONTACT WITH HOT TARMACADAM AS THIS WILL SERIOUSLY IMPAIR THE PERFORMANCE OF THE BOLLARD AND SOCKET.
- FOR SPEED WE RECOMMEND INSTALLING WITH QUICK SETTING CONCRETE (eg. GRADE OC10) BUT EXACT INSTALLATION REQUIREMENTS SHOULD BE ASSESSED FROM A SITE SURVEY.

OPTIONAL PARTS:

- OPTIONS AVAILABLE FOR THE PRODUCT:
- BODY C/W FRONT & 2 X SIDE CONSPICUITY PANELS
- BODY C/W REAR & 2 X SIDE CONSPICUITY PANELS
- ADDITIONAL 2 X SIDE CONSPICUITY PANELS
- PLUS A RANGE OF AUTHORISED SIGNFACES
- INSTALLATION PLATE
- SPARES ARE AVAILABLE, WHICH INCLUDE:
- BOLLARD C/W RETROREFLECTIVE PATCHES
- RETROREFLECTIVE PATCHES
- RANGE OF SIGNFACES
- KEY

TECHNICAL DATA:

- SURFACE AREA OF CONSPICUITY PANELS:
- FRONT : 102151,9627MM²
- 2 X SIDE : 21821,2522MM²
- SURFACE AREA OF SIGNFACE:
- ROUND : 17671,4587MM²
- RECTANGULAR : 25906,6371MM²
- ALL REFLECTIVE MATERIALS SUPPLIED BY GLASDON UK ARE AS RECOMMENDED IN TABLE NA1 OF THE NATIONAL ANNEX OF BS EN 12899-1 2007 FIXED VERTICAL ROAD SIGNS. MICROPRISMATIC RETROREFLECTIVE MATERIALS USED ON OUR PRODUCTS MEET THE REQUIREMENTS OF BS 8408 2005 ROAD TRAFFIC SIGNS.



website: www.glasdon.com
e-mail: sales@glasdon.com
Telephone: 01253 600400
Facsimile: 01253 792558

Copyright and/or design right in this representation and the product it depicts is reserved by Glasdon Group Limited. The issue of this drawing, is a confidential disclosure of its contents, and is made on condition that it is neither disclosed to a third party, nor any item described here in and designed by Glasdon Group Limited, is produced either in whole or in part without the written consent of Glasdon Group Limited.

SPECIFICATION NUMBER - 025089-SQ2 ISSUE 01

GLASDON GROUP LTD 25/07/19 SHEET SIZE:A2