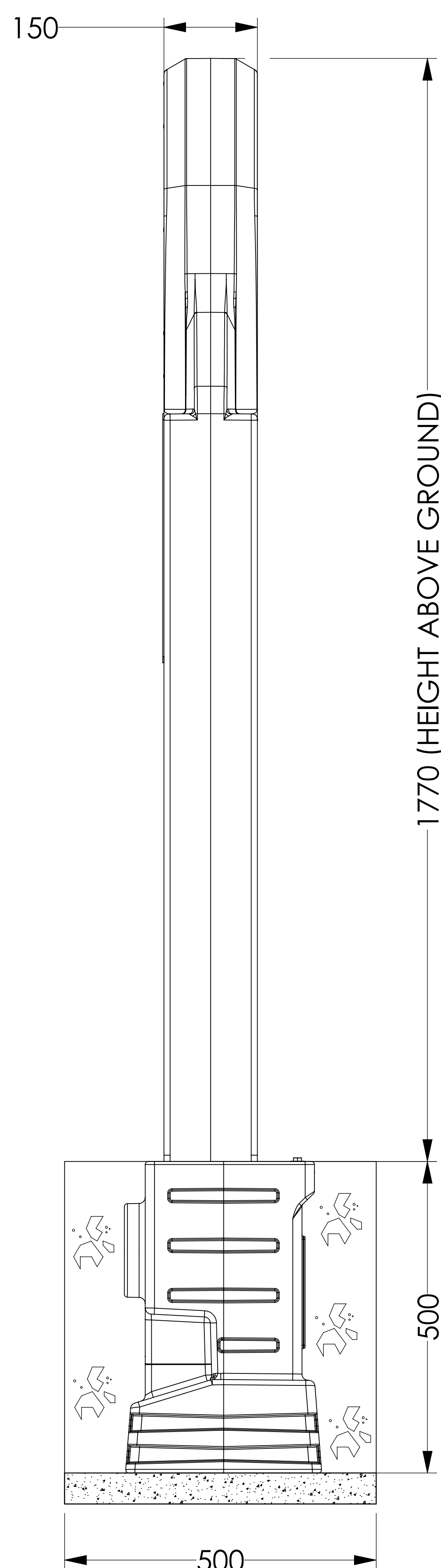
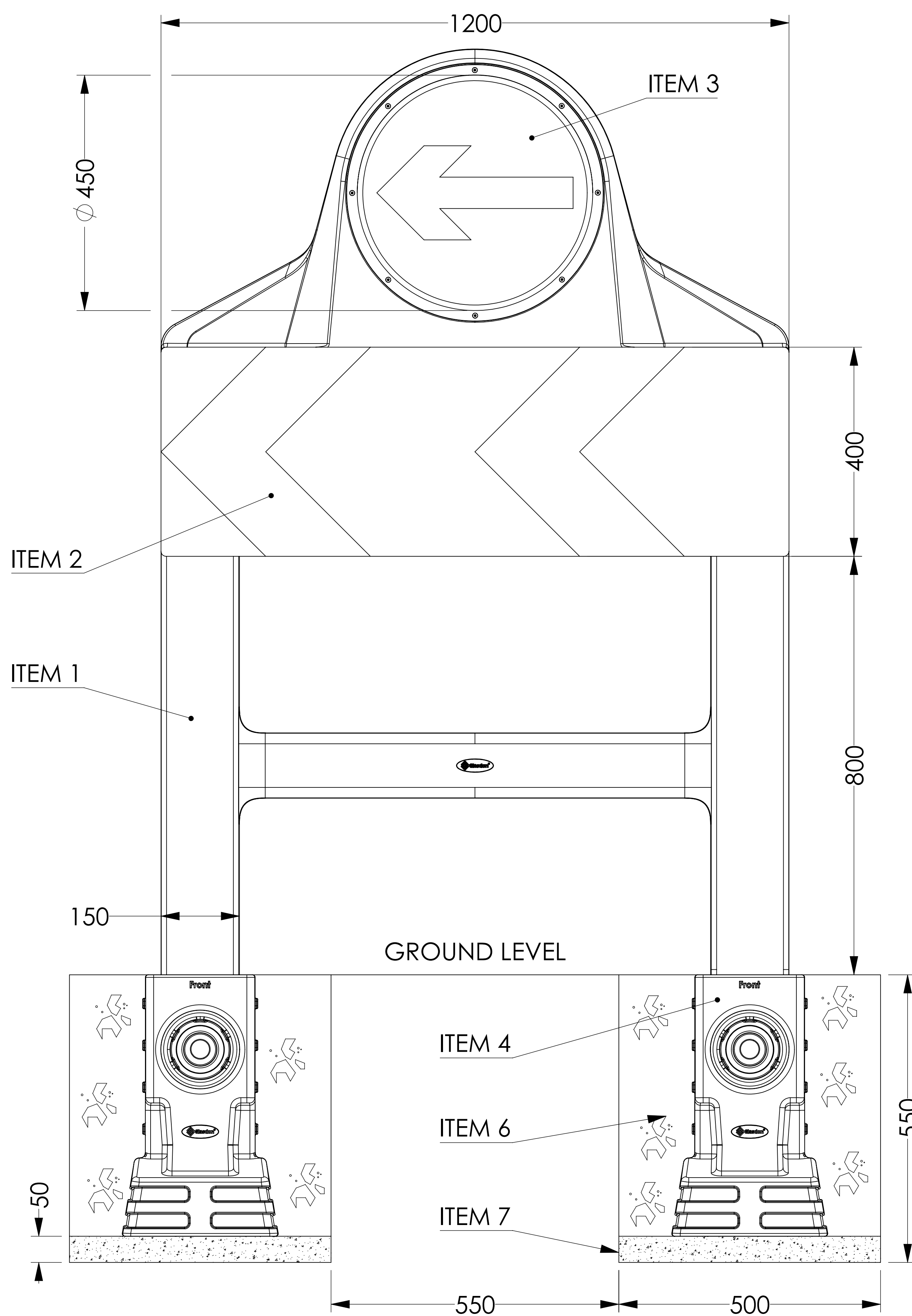
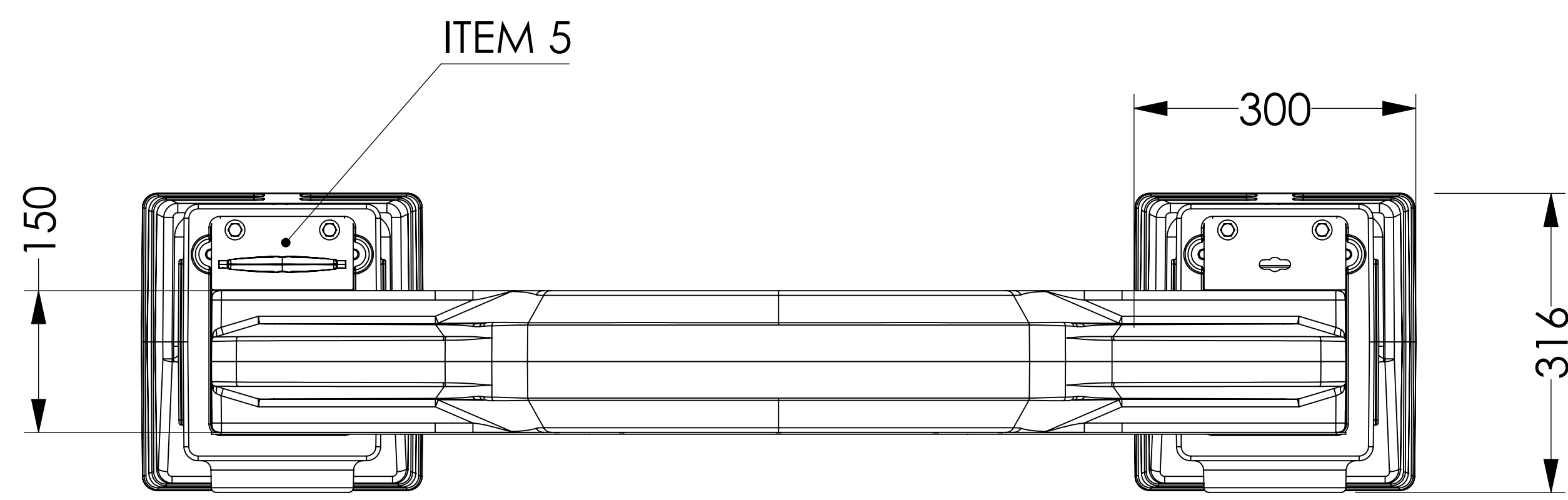


MODEL SPECIFICATION ORBITAL CHEVRON™ - SOCKETED



PRODUCT INFORMATION:

DESCRIPTION

ALL-IN-ONE ROUNDABOUT CHEVRON SIGN WITH BACKLIT REF 606 DIRECTIONAL ARROW SIGN.

MATERIAL

SIGN CARRIER :	DURAPOL™
SOCKET :	DURAPOL™
SOCKET WEDGE :	GALVANISED STEEL
REF D515 SIGNBOARD :	DIBOND C/W AVERY DENNISON T6500 HIP RETROREFLECTOR
Ø490mm SIGN BOARD :	PETG
Ø450mm REF 606 DIRECTIONAL ARROW :	AVERY DENNISON T6530T WHITE PRISMATIC TRANSLUCENT

DIMENSIONS

ALL DIMENSIONS IN mm UNLESS OTHERWISE STATED

WEIGHTS

DURAPOL™ SIGN CARRIER C/W:

400 x 1200 REF 515 CHEVRON & 606 ARROW : 26kg

500 x 1300 REF 515 CHEVRON C/W HIGH VISIBILITY BORDER & 606 ARROW : 27kg

ORBITAL LOCKFAST SOCKET (EACH): 6.5kg

MODEL OPTIONS

- ROUNDABOUT REF 515 CHEVRONS
- ROUNDABOUT REF 515 CHEVRONS C/W HIGH VISIBILITY BORDER

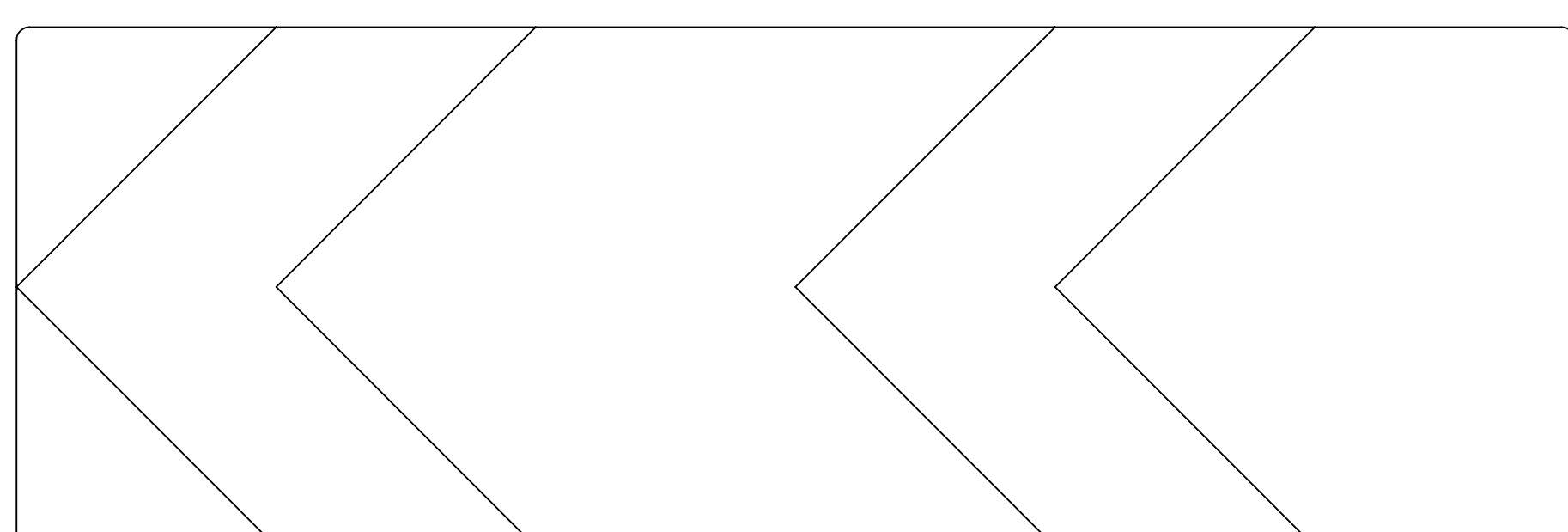
COLOURS

- SIGN CARRIER - BLACK OR WHITE
- SOCKET - BLACK

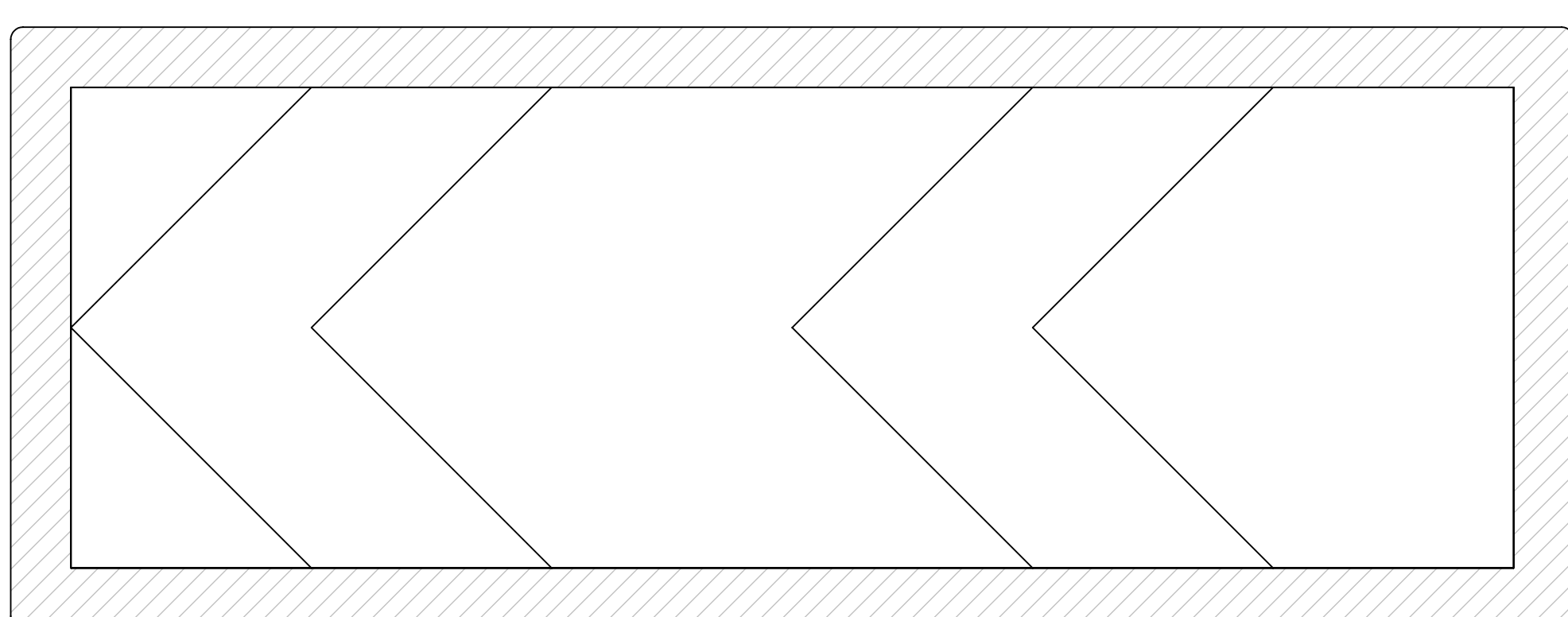
INSTALLATION INSTRUCTIONS

- ITEM 1 - SIGN CARRIER
- ITEM 2 - REF 515 DIBOND SIGN BOARD
- ITEM 3 - Ø450mm REF 606 DIRECTIONAL ARROW
- ITEM 4 - ORBITAL LOCKFAST SOCKET
- ITEM 5 - SOCKET WEDGE
- ITEM 6 - QUICK SETTING CONCRETE (E.g. GRADE QC10)
- ITEM 7 - GRAVEL
- AVOID CONTACT WITH HOT TARMACADAM AS THIS WILL SERIOUSLY IMPAIR THE PERFORMANCE OF THE PRODUCT.
- WE HIGHLY RECOMMEND INSTALLING WITH QUICK SETTING CONCRETE (e.g. GRADE QC10) BUT EXACT INSTALLATION REQUIREMENTS SHOULD BE ASSESSED FROM A SITE SURVEY.
- 2 HOLES APPROXIMATELY THE CORRECT DEPTH AND WIDTH APART SHOULD BE EXCAVATED TO THE SPECIFICATION SHOWN ON THE LEFT.
- FIT ITEM 2 TO ITEM 1 WITH THE FIXINGS SUPPLIED. INSTALL INTO ITEM 4 (2 OFF) AND USE ITEM 5 (2 OFF) TO LOCK.
- THE PRODUCT SHOULD BE INSERTED INTO EXCAVATED AREAS ENSURING IT IS AT THE CORRECT DEPTH. (GRAVEL CAN BE PLACED UNDER THE PRODUCT TO RAISE IT TO THE CORRECT LEVEL.)
- THE HOLES SHOULD THEN BE BACK FILLED WITH QUICK SETTING CONCRETE, ENSURING THAT THE PRODUCT REMAINS VERTICAL AND LEVEL.
- IF USING AN ILLUMINATED SIGN FACE, CABLE DUCTING CAN BE FIXED TO THE FRONT OF THE SOCKET TO CONNECT A POWER CABLE TO THE PRODUCT.

RECTANGULAR SIGN BOARD OPTIONS

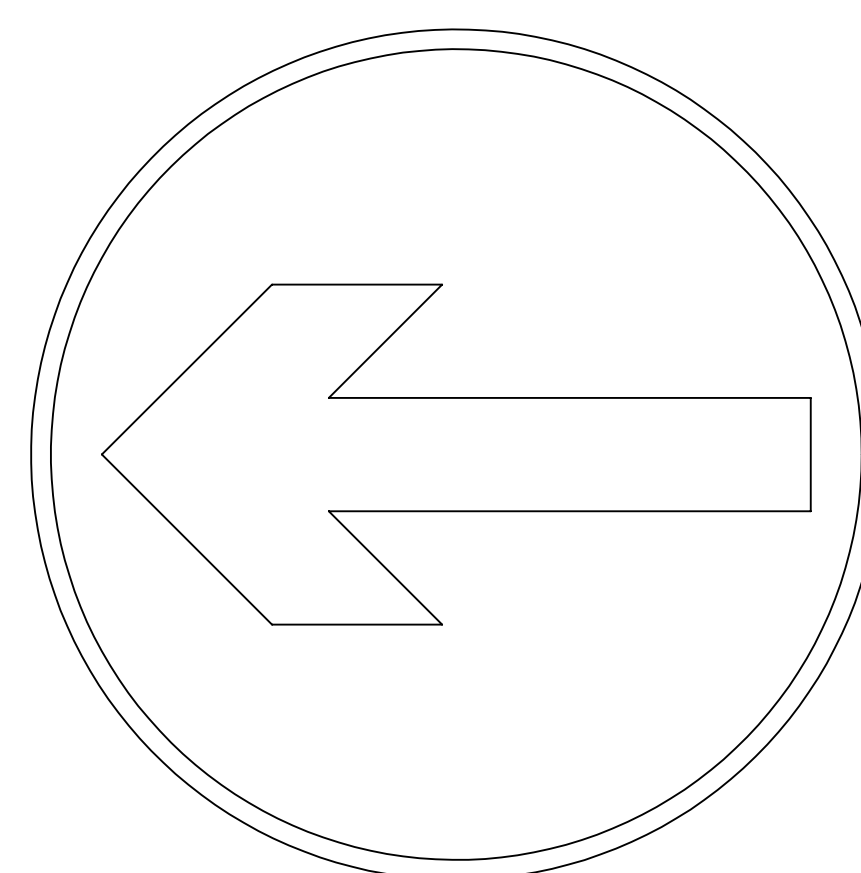


REF 515 400 x 1200mm CHEVRON SIGN



REF 515 500 x 1300 CHEVRON SIGN C/W HIGH VISIBILITY BORDER (AVAILABLE ON REQUEST)

Ø450mm SIGN BOARD OPTIONS



REF 606 DIRECTIONAL ARROW



Website: www.glasdon.com
Email: sales@glasdon.com
Telephone: 01253 600 400
Facsimile: 01253 732558

Copyright of this dwg. is reserved by Glasdon Group. The issue of this dwg. is a confidential disclosure of its contents, and is made on condition that it is neither disclosed to a third party, nor any item described herein and designed by Glasdon Group, is produced either in whole or in part without the prior written consent of Glasdon Group.

SPECIFICATION NUMBER - 02S093-S21

ISSUE 01

GLASDON GROUP LTD 02.09.22

SHEET SIZE : A0