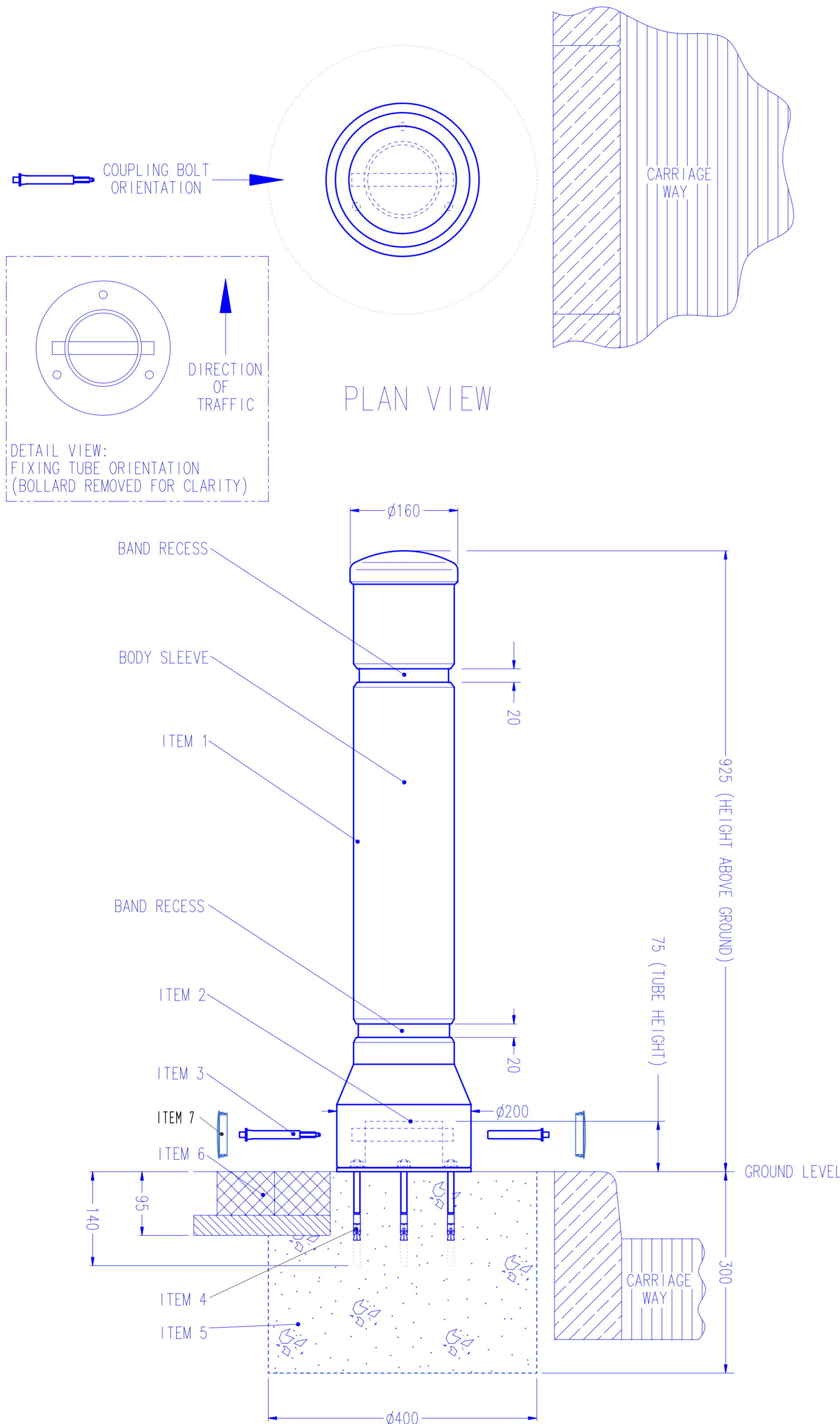


MODEL SPECIFICATION

NEOPOLITAN™ 20 BOLLARD – SURFACE MOUNTED



PRODUCT INFORMATION:

- WEIGHT
 - BOLLARD 3.5 Kg
 - SURFACE FIXING TUBE 2.1 Kg
 - TOTAL 5.6 Kg
- MATERIAL
 - BOLLARD – DURAPOL®
 - SURFACE FIXING TUBE – GALVANIZED MILD STEEL
- COLOURS
 - MILLSTONE, SANDSTONE, BLACK, AIRCRAFT GREY, STONE, WHITE & DARK BLUE.
- DIMENSIONS
 - ALL DIMENSIONS IN MM UNLESS OTHERWISE STATED.

INSTALLATION GUIDE:

- ITEM 1 – REMOVABLE BOLLARD
- ITEM 2 – SURFACE FIXING TUBE
- ITEM 3 – COUPLING BOLTS
- ITEM 4 – GROUND FIXING BOLT M10 x 120mm
- ITEM 5 – QUICK SETTING CONCRETE (eg. GRADE QC10)
- ITEM 6 – BLOCK PAVING
- ITEM 7 – GLASDON BADGE HOLE PLUG
- THE SURFACE FIXING TUBE SHOULD BE ORIENTATED SO THAT THE COUPLING BOLT IS INSERTED AT 90° TO THE CARRIAGE WAY (SEE DETAIL VIEW FOR CORRECT ORIENTATION).
- ENSURE REFLECTIVE BANDING IS IN THE CORRECT ORIENTATION – RED TOWARDS ONCOMING TRAFFIC (YELLOW ON CENTRAL RESERVATION).
- RECOMMENDED HOLE SIZE ϕ 400mm x 300mm DEEP.
- 3 HOLES TO BE DRILLED FOR GROUND FIXING BOLTS ϕ 10mm x 140mm (MINIMUM DEPTH).
- THIS BOLLARD IS ALSO AVAILABLE WITH SOCKET, CONCRETE-IN ANCHOR FIXINGS OR GUARDSMAN™ ANTI-RAM RAID FIXING.
- AVOID CONTACT WITH HOT TARMACADAM AS THIS WILL SERIOUSLY IMPAIR THE PERFORMANCE OF THE BOLLARD.
- WE RECOMMEND INSTALLING THE BOLLARD IN EXISTING SOUND CONCRETE FOUNDATION OR PREPARING THE SITE WITH QUICK SETTING CONCRETE (eg. GRADE QC10) BUT EXACT INSTALLATION REQUIREMENTS SHOULD BE ASSESSED FROM A SITE SURVEY.

OPTIONAL PARTS:

- ALUMINIUM BACKED RETROREFLECTIVE BANDING (TO BS EN 12899-1:2007, FIXED, VERTICAL ROAD TRAFFIC SIGNS) OR DECORATIVE BANDING MAY BE FITTED.
- STANDARD BANDING SETS:
 - 2 x 20mm BANDS (WITHIN THE 2 BAND RECESSES).
 - 1 x 480mm BODY SLEEVE.
- STANDARD OR SPIKED CHAIN LINKAGE IS AVAILABLE. RECOMMENDED PITCH BETWEEN BOLLARDS 1.1m.
- SPARE BOLLARDS, KEYS AND BANDING ARE AVAILABLE.
- ALL RETROREFLECTIVE MATERIALS SUPPLIED BY GLASDON ARE AS RECOMMENDED IN TABLE NA1 OF THE NATIONAL ANNEX OF BS EN 12899-1 2007 FIXED VERTICAL ROAD SIGNS.



website: www.glasdon.com
 e-mail: sales@glasdon.com
 Telephone: 01253 600400
 Facsimile: 01253 792558

Copyright and/or design right in this representation and the product it depicts is reserved by Glasdon Group Limited. The issue of this drawing, is a confidential disclosure of its contents, and is made on condition that it is neither disclosed to a third party, nor any item described here in and designed by Glasdon Group Limited, is produced either in whole or in part without the written consent of Glasdon Group Limited.

SPECIFICATION NUMBER - 115019-503

ISSUE 08

GLASDON GROUP LTD 18/02/15

SHEET SIZE:A2