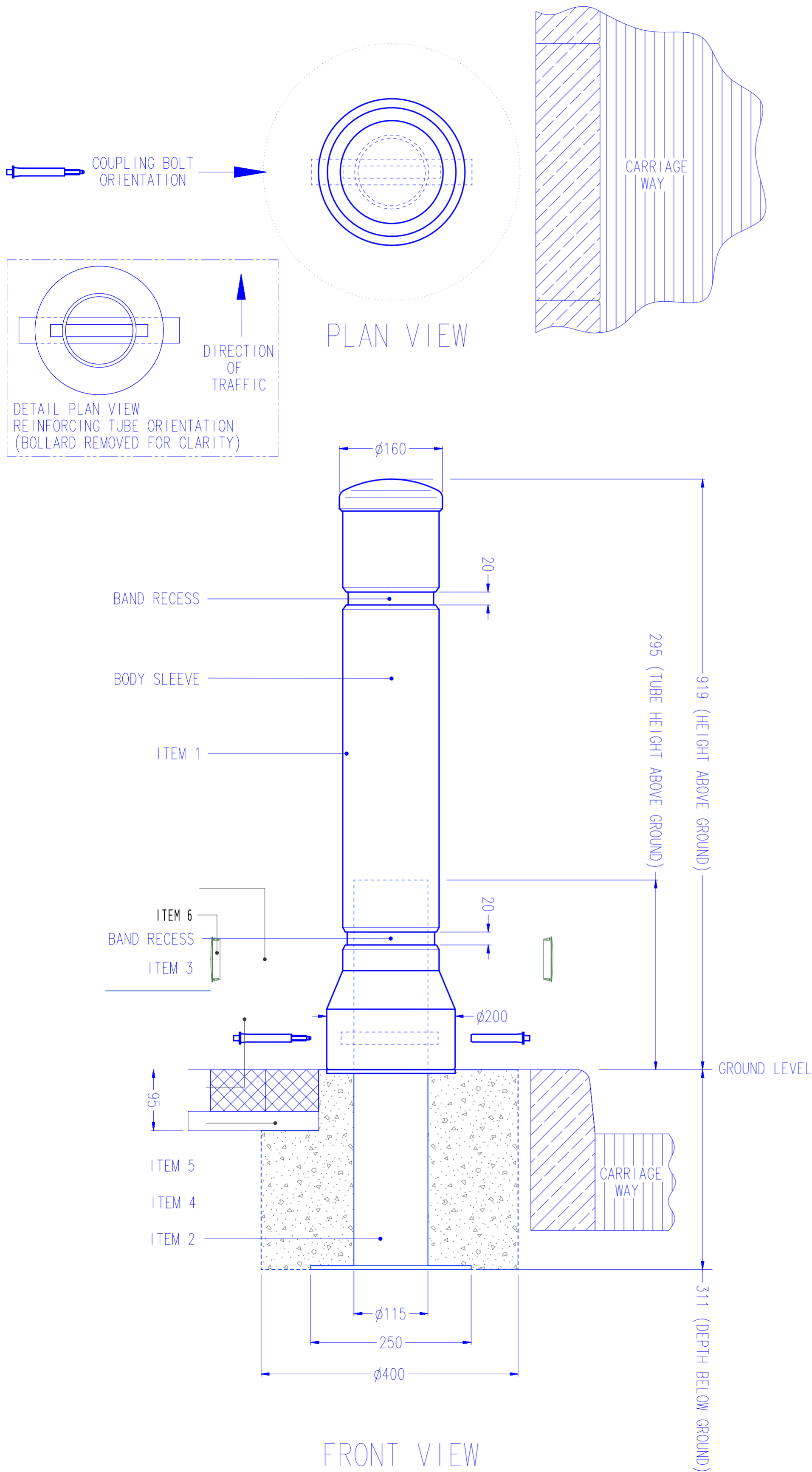


MODEL SPECIFICATION

NEOPOLITAN 20 BOLLARD – BRIDGEMASTER™



PRODUCT INFORMATION:

- WEIGHT - BOLLARD 3.5 Kg
REINFORCING TUBE 9.5 Kg
TOTAL 13 Kg
- MATERIAL - BOLLARD - DURAPOL®
REINFORCING TUBE - GALVANIZED MILD STEEL
- COLOURS - MILLSTONE, SANDSTONE, BLACK, AIRCRAFT GREY, STONE, WHITE AND DARK BLUE.
- DIMENSIONS - ALL DIMENSIONS IN MM UNLESS OTHERWISE STATED.

INSTALLATION GUIDE:

- ITEM 1 - REMOVABLE BOLLARD
- ITEM 2 - REINFORCING TUBE
- ITEM 3 - COUPLING BOLTS
- ITEM 4 - QUICK SETTING CONCRETE (eg. GRADE QC10)
- ITEM 5 - BLOCK PAVING
- ITEM 6 - GLASDON BADGE HOLE PLUG
- ENSURE REFLECTIVE BANDING IS IN THE CORRECT ORIENTATION - RED TOWARDS ONCOMING TRAFFIC (YELLOW ON CENTRAL RESERVATION).
- THE REINFORCING TUBE IS TO BE ORIENTATED SO THAT THE COUPLING BOLT IS INSERTED AT 90° TO THE CARRIAGE WAY (SEE DETAIL PLAN VIEW FOR CORRECT ORIENTATION).
- RECOMMENDED HOLE SIZE ϕ 400mm x 311mm DEEP.
- WE RECOMMEND THE REINFORCING TUBE IS BEDDED ON GRAVEL AND A 300mm MINIMUM DEPTH OF CONCRETE SHOULD BE USED.
- THE REINFORCING TUBE SHOULD BE FILLED WITH CONCRETE FOR ADDED STRENGTH.
- THIS BOLLARD IS ALSO AVAILABLE WITH SOCKET, CONCRETE-IN ANCHOR FIXINGS OR SURFACE MOUNT FIXINGS.
- AVOID CONTACT WITH HOT TARMACADAM AS THIS WILL SERIOUSLY IMPAIR THE PERFORMANCE OF THE BOLLARD.
- WE RECOMMEND INSTALLING WITH QUICK SETTING CONCRETE (eg. GRADE QC10) BUT EXACT INSTALLATION REQUIREMENTS SHOULD BE ASSESSED FROM A SITE SURVEY.

OPTIONAL PARTS:

- ALUMINIUM BACKED RETROREFLECTIVE BANDING (TO BS EN 12899-1:2007, FIXED, VERTICAL ROAD TRAFFIC SIGNS) OR DECORATIVE BANDING MAY BE FITTED.
- STANDARD BANDING SETS:
2 x 20mm BANDS (WITHIN THE 2 BAND RECESSES).
1 x 480mm BODY SLEEVE.
- STANDARD OR SPIKED CHAIN LINKAGE IS AVAILABLE. RECOMMENDED PITCH BETWEEN BOLLARDS 1.1m.
- SPARE BOLLARDS, KEYS AND BANDING ARE AVAILABLE.

- ALL RETROREFLECTIVE MATERIALS SUPPLIED BY GLASDON UK ARE AS RECOMMENDED IN TABLE NA1 OF THE NATIONAL ANNEX OF BS EN 12899-1 2007 FIXED VERTICAL ROAD SIGNS.

MICROPRISMATIC RETROREFLECTIVE MATERIALS USED ON OUR PRODUCTS MEET THE REQUIREMENTS OF BS 8408 2005 ROAD TRAFFIC SIGNS. TESTING AND PERFORMANCE OF MICROPRISMATIC RETROREFLECTIVE SHEETING MATERIALS FOR THEIR APPLICATION AND SITING NORMS.



website: www.glasdon.com
e-mail: sales@glasdon.com
Telephone: 01253 600400
Facsimile: 01253 792558

Copyright and/or design right in this representation and the product it depicts is reserved by Glasdon Group Limited. The issue of this drawing, is a confidential disclosure of its contents, and is made on condition that it is neither disclosed to a third party, nor any item described here in and designed by Glasdon Group Limited, is produced either in whole or in part without the written consent of Glasdon Group Limited.

SPECIFICATION NUMBER - 11S019-507 ISSUE 02

GLASDON GROUP LTD 18/02/15

SHEET SIZE:A2