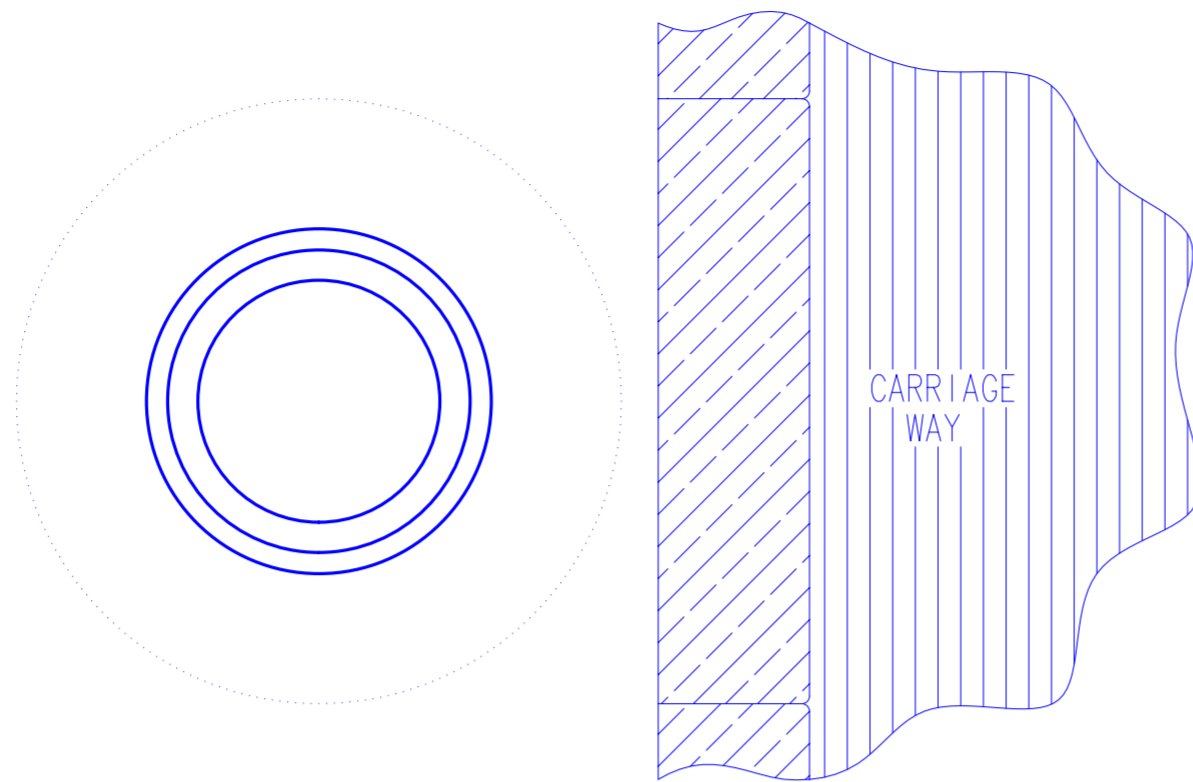
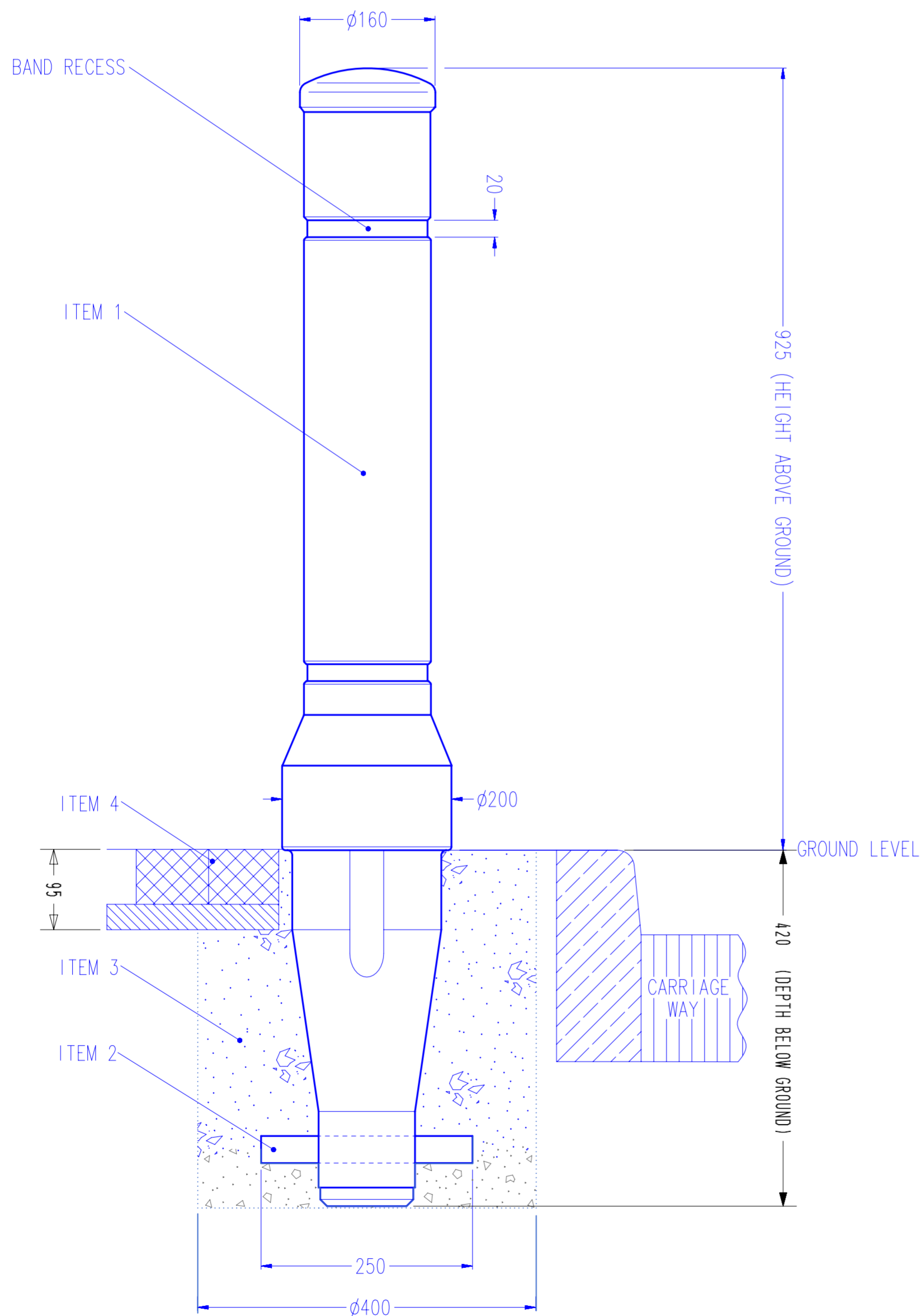


# MODEL SPECIFICATION

## NEOPOLITAN™ 20 BOLLARD – REBOUND™ – EXTENDED BASE



PLAN VIEW



FRONT VIEW

### PRODUCT INFORMATION:

- WEIGHT - BOLLARD 5.0 Kg  
TOTAL 5.0 Kg
- MATERIAL - BOLLARD - IMPACTAPOL®
- COLOURS - BLACK AND WHITE
- DIMENSIONS - ALL DIMENSIONS IN MM UNLESS OTHERWISE STATED.

### INSTALLATION GUIDE:

- ITEM 1 - BOLLARD
- ITEM 2 - ANCHOR TUBE
- ITEM 3 - QUICK SETTING CONCRETE (eg. GRADE QC10)
- ITEM 4 - BLOCK PAVING
- ENSURE REFLECTIVE BANDING IS IN THE CORRECT ORIENTATION - RED TOWARDS ONCOMING TRAFFIC (YELLOW ON CENTRAL RESERVATION).
- RECOMMENDED HOLE SIZE  $\phi 400\text{mm} \times 420\text{mm}$  DEEP.
- AVOID CONTACT WITH HOT TARMACADAM AS THIS WILL SERIOUSLY IMPAIR THE PERFORMANCE OF THE BOLLARD.
- WE RECOMMEND INSTALLING WITH QUICK SETTING CONCRETE (eg. GRADE QC10) BUT EXACT INSTALLATION REQUIREMENTS SHOULD BE ASSESSED FROM A SITE SURVEY.

### OPTIONAL PARTS:

- ALL RETOREFLECTIVE MATERIALS SUPPLIED BY GLASDON ARE AS RECOMMENDED IN TABLE NA1 OF THE NATIONAL ANNEX OF BS EN 12899-1 2007 FIXED VERTICAL ROAD SIGNS.
- STANDARD BANDING SETS:  
1 x 20mm BAND.
- SPARE BANDING IS AVAILABLE.



website: [www.glasdon.com](http://www.glasdon.com)  
 e-mail: [sales@glasdon.com](mailto:sales@glasdon.com)  
 Telephone: 01253 600400  
 Facsimile: 01253 792558

Copyright and/or design right in this representation and the product it depicts is reserved by Glasdon Group Limited. The issue of this drawing, is a confidential disclosure of its contents, and is made on condition that it is neither disclosed to a third party, nor any item described here in and designed by Glasdon Group Limited, is produced either in whole or in part without the written consent of Glasdon Group Limited.

SPECIFICATION NUMBER - 115022-S01

ISSUE 07

GLASDON GROUP LTD 18/02/15

SHEET SIZE:A2