

# MODEL SPECIFICATION

## NEOPOLITAN™ 150 BOLLARD – REBOUND™ – BOLT DOWN BELOW GROUND ANCHOR

### PRODUCT INFORMATION:

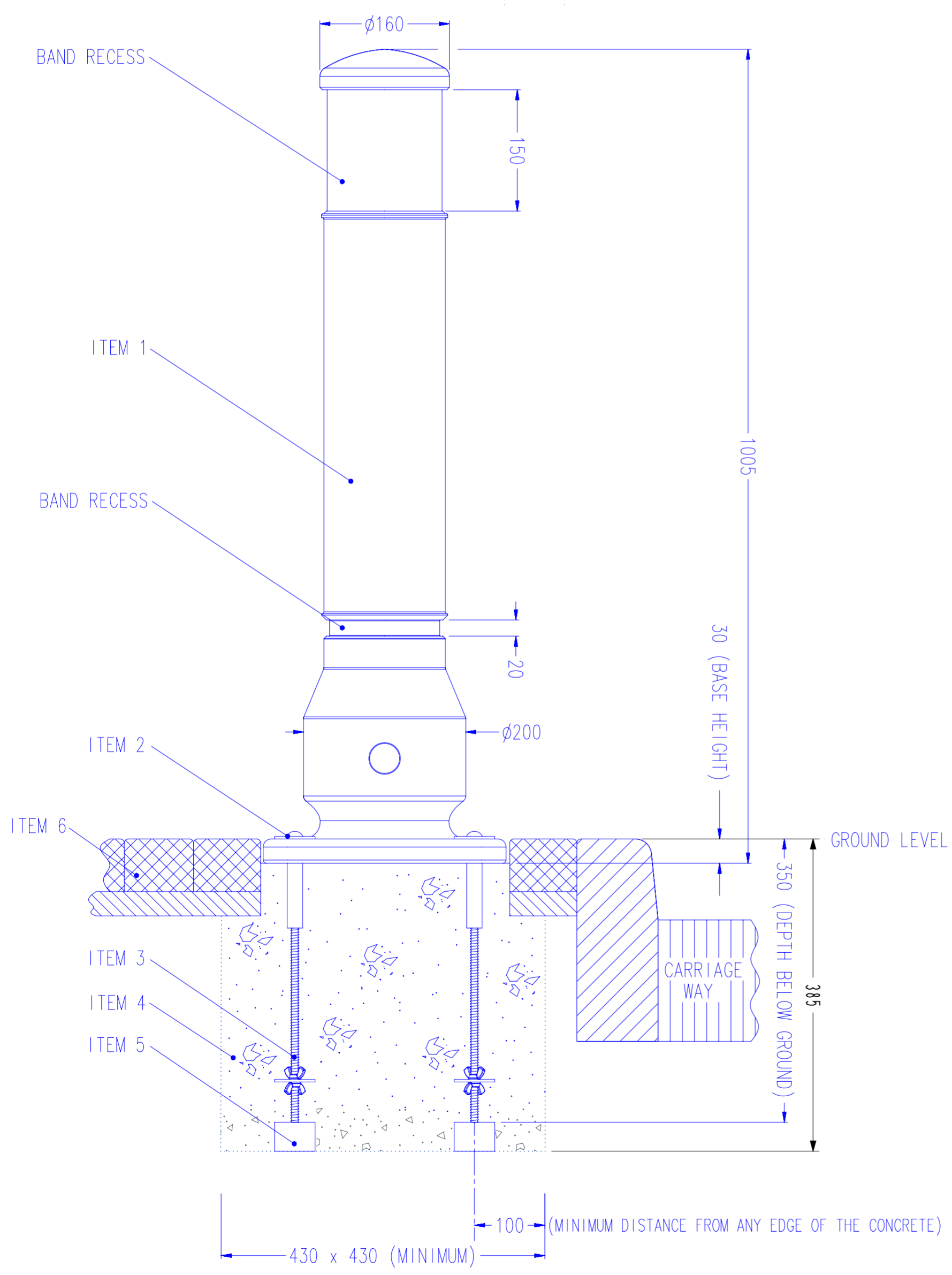
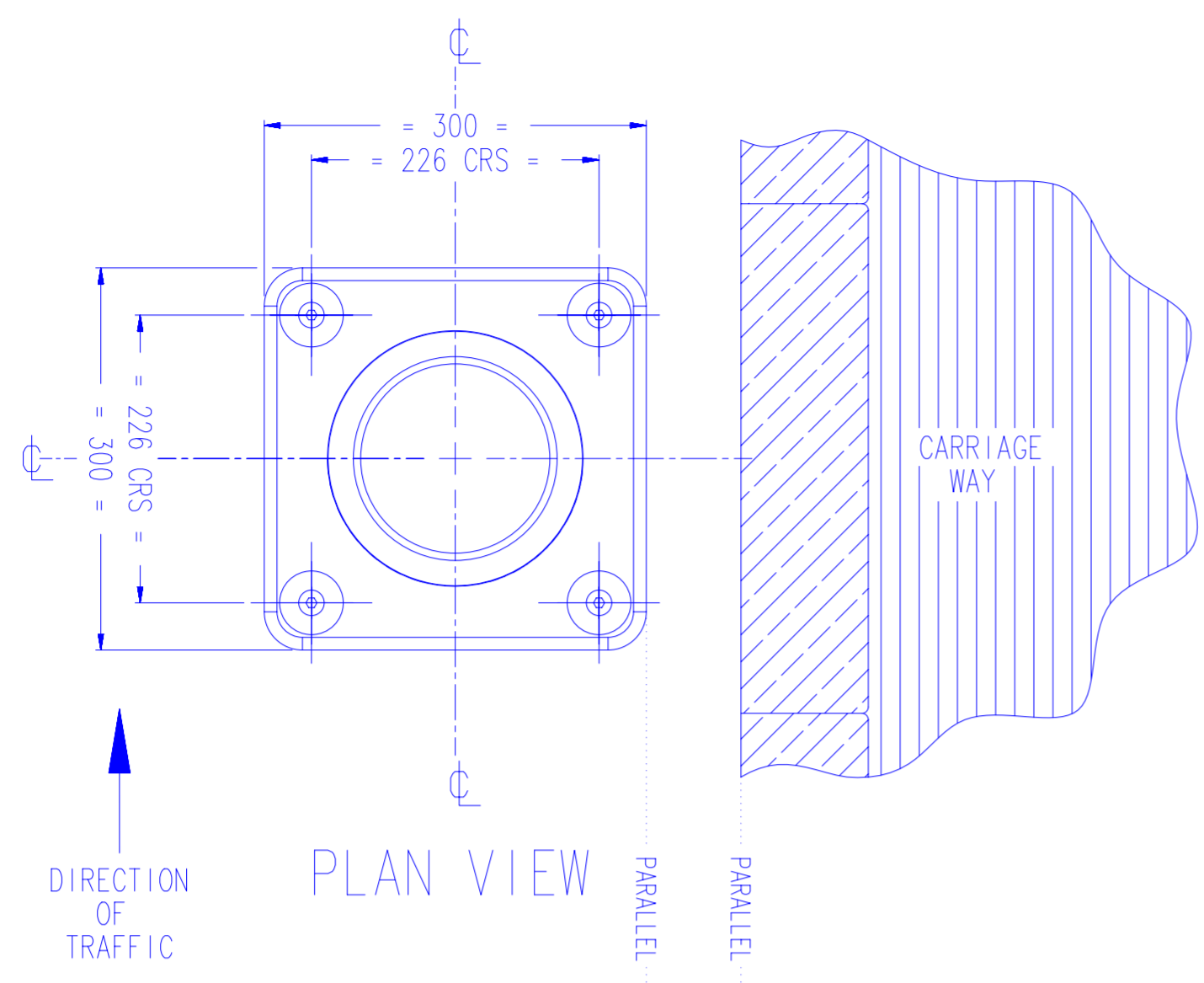
- WEIGHT - BOLLARD - 4.5 Kg  
FIXINGS - 1.3 Kg  
TOTAL - 5.8 Kg
- MATERIAL - BOLLARD: - IMPACTAPOL®  
FIXINGS: - SCREWS - STAINLESS STEEL  
- WASHERS - STAINLESS STEEL  
- SPACERS - RIGID PVC  
- CONCRETE-IN FIXING - MS BZP
- COLOURS - BLACK OR WHITE.
- DIMENSIONS - ALL DIMENSIONS IN MM UNLESS OTHERWISE STATED.

### INSTALLATION GUIDE:

- ITEM 1 - REMOVABLE BOLLARD
- ITEM 2 - GROUND FIXINGS (4 OFF):
  - M10 x 100mm SOCKET HEAD SCREW
  - M10 x  $\phi$ 50 x 3mm WASHER
  - M10 x  $\phi$ 19 x 28mm SPACER
- ITEM 3 - CONCRETE-IN FIXING (4 OFF):
- ITEM 4 - QUICK SETTING CONCRETE (eg. GRADE QC10)
- ITEM 5 - SUPPORT BLOCK: CAN BE ANYTHING SOLID TO ENSURE BOLLARD IS SUPPORTED AT THE CORRECT HEIGHT UNTIL THE CONCRETE HAS SET.
- ITEM 6 - BLOCK PAVING: CAN BE POSITIONED LEVEL WITH THE BOLLARD BASE.
- FIX THE FOUR 'CONCRETE-IN FIXINGS' TO THE BOLLARD BEFORE INSTALLATION, AS THIS WILL ENSURE FIXING CENTRES ARE CORRECT AND PREVENT THE NEED TO REVISIT THE SITE ONCE CONCRETE HAS SET.
- TO ENSURE CORRECT ORIENTATION OF RETROREFLECTIVE BAND(S) THE FOOT OF THE BOLLARD SHOULD BE SITED PARALLEL TO THE CARRIAGE WAY AS SHOWN (SEE PLAN VIEW).
- ENSURE THAT THE RED RETROREFLECTOR FACES TOWARDS ONCOMING TRAFFIC OR YELLOW IF ON A CENTRAL RESERVATION.
- RECOMMENDED MINIMUM HOLE SIZE: 430x430x385mm DEEP.
- IF DEPTH IS RESTRICTED TO LESS THAN 400mm THEN THE 'CONCRETE-IN FIXINGS' CAN BE CUT DOWN IF REQUIRED. HOWEVER WE RECOMMEND USING THE SAME VOLUME OF CONCRETE BY INCREASING THE WIDTH OF THE HOLE TO COMPENSATE.
- AVOID CONTACT WITH HOT TARMACADAM AS THIS WILL SERIOUSLY IMPAIR THE PERFORMANCE OF THE BOLLARD.
- FOR SPEED WE RECOMMEND INSTALLING WITH QUICK SETTING CONCRETE (eg. GRADE QC10) BUT EXACT INSTALLATION REQUIREMENTS SHOULD BE ASSESSED FROM A SITE SURVEY.

### OPTIONAL PARTS:

- ALL RETROREFLECTIVE MATERIALS SUPPLIED BY GLASDON ARE AS RECOMMENDED IN TABLE NA1 OF THE NATIONAL ANNEX OF BS EN 12899-1 2007 FIXED VERTICAL ROAD SIGNS.
- STANDARD BANDING SETS:
  - 1 x 150mm BAND (WITHIN THE UPPER BAND RECESS)
  - 1 x 19mm BAND (WITHIN THE LOWER BAND RECESS)
- SPARES ARE AVAILABLE, WHICH INCLUDE:
  - BOLLARD C/W FIXINGS & RETROREFLECTIVE BANDS
  - BOLLARD ONLY
  - RANGE OF BANDING
  - FIXINGS



website: [www.glasdon.com](http://www.glasdon.com)  
 e-mail: [sales@glasdon.com](mailto:sales@glasdon.com)  
 Telephone: 01253 600400  
 Facsimile: 01253 792558

Copyright and/or design right in this representation and the product it depicts is reserved by Glasdon Group Limited. The issue of this drawing, is a confidential disclosure of its contents, and is made on condition that it is neither disclosed to a third party, nor any item described here in and designed by Glasdon Group Limited, is produced either in whole or in part without the written consent of Glasdon Group Limited.

SPECIFICATION NUMBER - 115022-507	ISSUE 08
GLASDON GROUP LTD 18/02/15	SHEET SIZE: A2