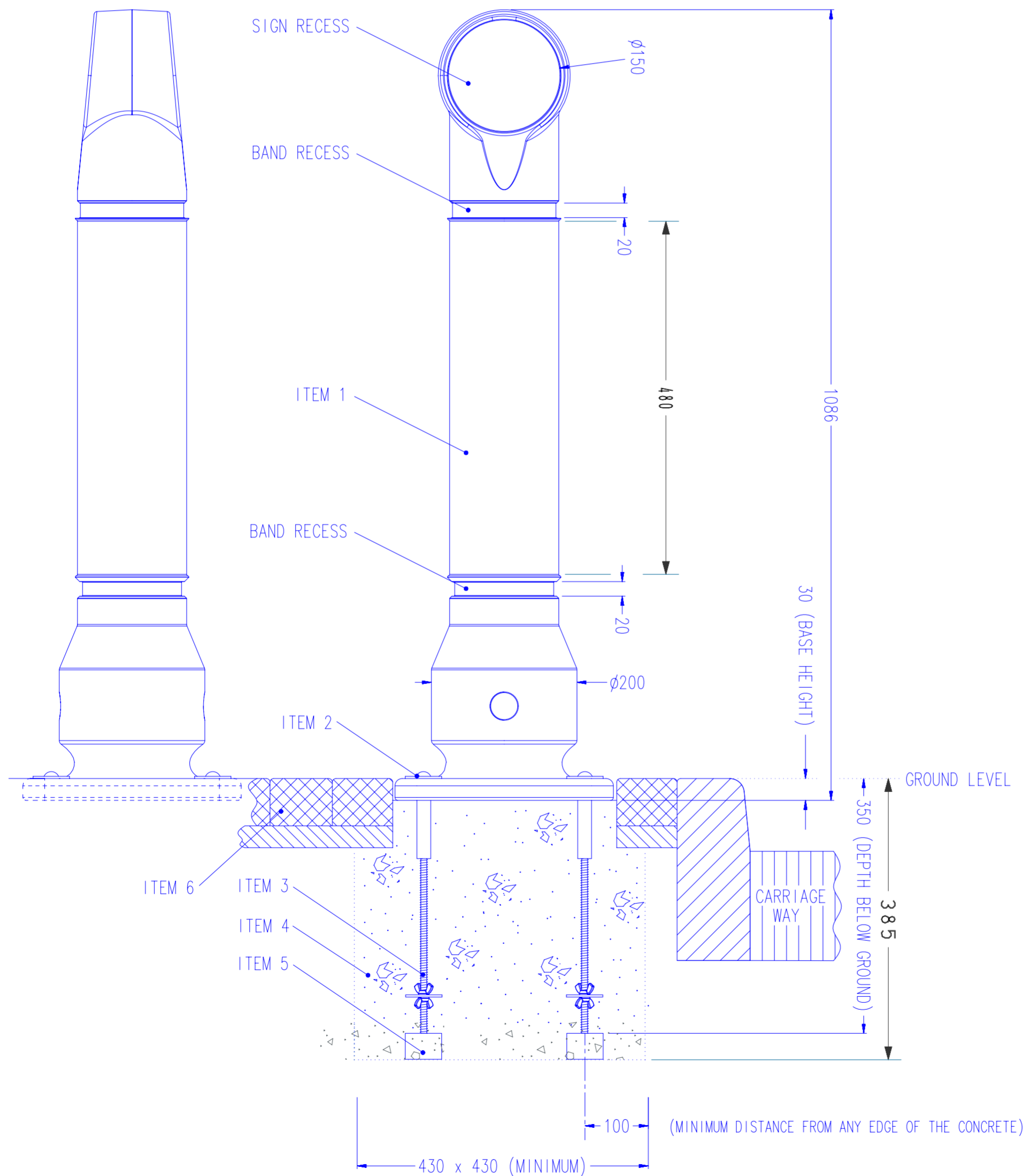
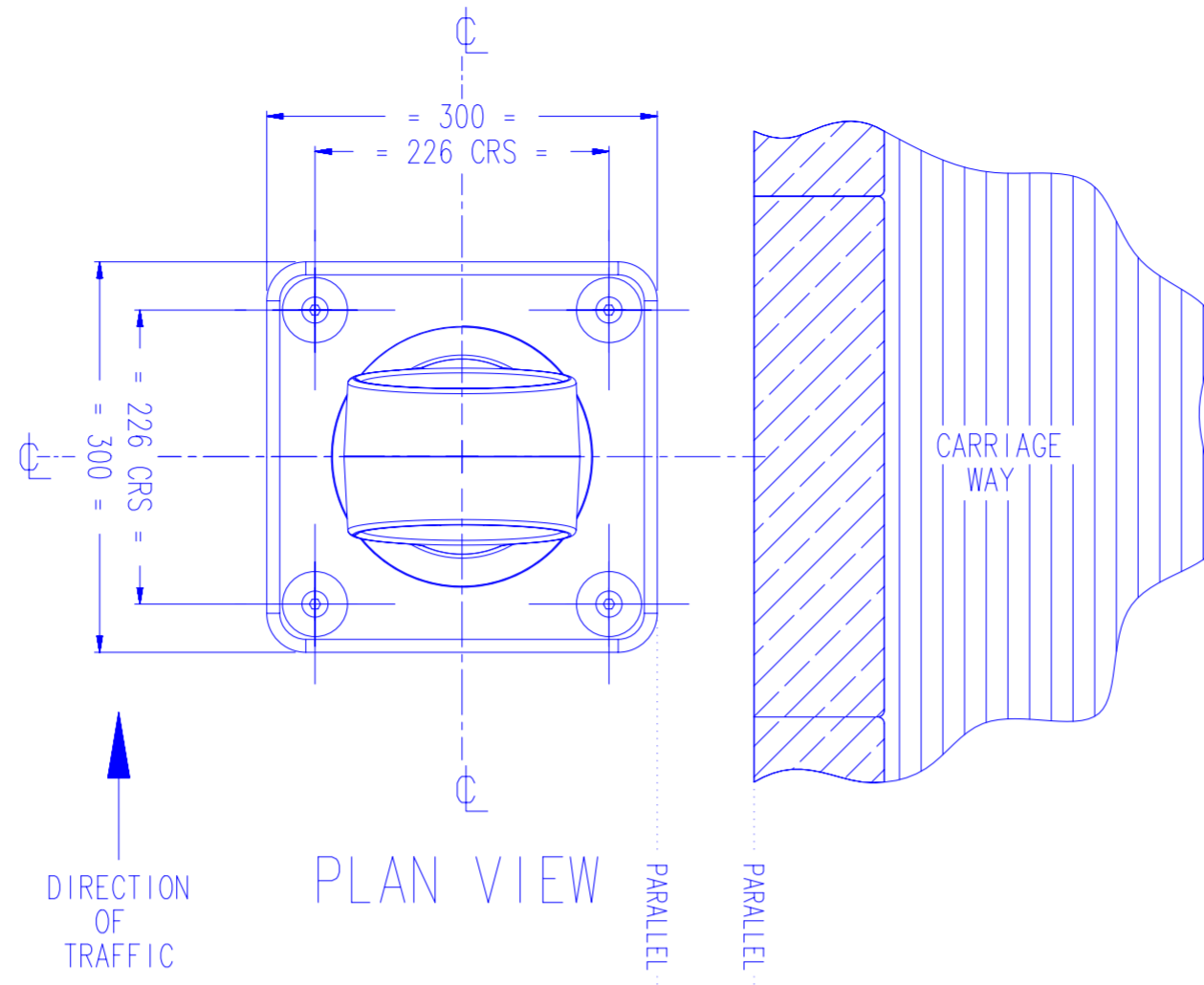


MODEL SPECIFICATION

MINI-ENSIGN™ BOLLARD – REBOUND™ – BOLT DOWN BELOW GROUND ANCHOR



SIDE VIEW

FRONT VIEW

PRODUCT INFORMATION:

- WEIGHT - BOLLARD - 4.8 Kg
FIXINGS - 1.3 Kg
TOTAL - 6.1 Kg
- MATERIAL - BOLLARD: - IMPACTAPOL®
FIXINGS: - SCREWS - STAINLESS STEEL
- WASHERS - STAINLESS STEEL
- SPACERS - RIGID PVC
- CONCRETE-IN FIXING - MS BZP
- COLOURS - BLACK OR WHITE.
- DIMENSIONS - ALL DIMENSIONS IN MM UNLESS OTHERWISE STATED.

INSTALLATION GUIDE:

- ITEM 1 - REMOVABLE BOLLARD
- ITEM 2 - GROUND FIXINGS (4 OFF):
 - M10 x 100mm SOCKET HEAD SCREW
 - M10 x 50 x 3mm WASHER
 - M10 x 19 x 28mm SPACER
- ITEM 3 - CONCRETE-IN FIXING (4 OFF):
- ITEM 4 - QUICK SETTING CONCRETE (eg. GRADE QC10)
- ITEM 5 - SUPPORT BLOCK:
CAN BE ANYTHING SOLID TO ENSURE BOLLARD IS SUPPORTED AT THE CORRECT HEIGHT UNTIL THE CONCRETE HAS SET.
- ITEM 6 - BLOCK PAVING:
CAN BE POSITIONED LEVEL WITH THE BOLLARD BASE.
- FIX THE FOUR 'CONCRETE-IN FIXINGS' TO THE BOLLARD BEFORE INSTALLATION, AS THIS WILL ENSURE FIXING CENTRES ARE CORRECT AND PREVENT THE NEED TO REVISIT THE SITE ONCE CONCRETE HAS SET.
- TO ENSURE CORRECT ORIENTATION OF RETROREFLECTIVE BAND(S) THE FOOT OF THE BOLLARD SHOULD BE SITED PARALLEL TO THE CARRIAGE WAY AS SHOWN (SEE PLAN VIEW).
- ENSURE THAT THE RED RETROREFLECTOR FACES TOWARDS ONCOMING TRAFFIC OR YELLOW IF ON A CENTRAL RESERVATION.
- RECOMMENDED MINIMUM HOLE SIZE: 430x430x385mm DEEP.
- IF DEPTH IS RESTRICTED TO LESS THAN 400mm THEN THE 'CONCRETE-IN FIXINGS' CAN BE CUT DOWN IF REQUIRED. HOWEVER WE RECOMMEND USING THE SAME VOLUME OF CONCRETE BY INCREASING THE WIDTH OF THE HOLE TO COMPENSATE.
- AVOID CONTACT WITH HOT TARMACADAM AS THIS WILL SERIOUSLY IMPAIR THE PERFORMANCE OF THE BOLLARD.
- FOR SPEED WE RECOMMEND INSTALLING WITH QUICK SETTING CONCRETE (eg. GRADE QC10) BUT EXACT INSTALLATION REQUIREMENTS SHOULD BE ASSESSED FROM A SITE SURVEY.

OPTIONAL PARTS:

- RETROREFLECTIVE AND NON-REFLECTIVE SIGNFACES ARE AVAILABLE.
- IMPACTALIGHT™ REBOUND RETROREFLECTIVE BANDING (TO BS EN 12899-1:2007, FIXED, VERTICAL ROAD TRAFFIC SIGNS) OR DECORATIVE BANDING MAY BE FITTED.
- STANDARD BANDING SETS:
2 x 19mm BAND (WITHIN TWO BAND RECESSES)
- SPARES ARE AVAILABLE, WHICH INCLUDE:
 - BOLLARD C/W FIXINGS & RETROREFLECTIVE BANDS
 - BOLLARD ONLY
 - RANGE OF BANDING
 - FIXINGS
- ALL RETROREFLECTIVE MATERIALS SUPPLIED BY GLASDON ARE AS RECOMMENDED IN TABLE NA1 OF THE NATIONAL ANNEX OF BS EN 12899-1 2007 FIXED VERTICAL ROAD SIGNS.



website: www.glasdon.com
 e-mail: sales@glasdon.com
 Telephone: 01253 600400
 Facsimile: 01253 792558

Copyright and/or design right in this representation and the product it depicts is reserved by Glasdon Group Limited. The issue of this drawing, is a confidential disclosure of its contents, and is made on condition that it is neither disclosed to a third party, nor any item described here in and designed by Glasdon Group Limited, is produced either in whole or in part without the written consent of Glasdon Group Limited.