

# MODEL SPECIFICATION

## 600 NEOPOLITAN 150 BOLLARD - REBOUND - STANDARD BOLT DOWN

### PRODUCT INFORMATION:

- WEIGHT - BOLLARD - 4.25 KG  
FIXINGS - 0.6 KG  
TOTAL - 4.85 KG

- MATERIAL - BOLLARD: - IMPACTAPOL®  
FIXINGS: - SCREWS - STAINLESS STEEL  
- WASHERS - STAINLESS STEEL  
- SPACERS - RIGID PVC  
- ANCHORS - MS BZP

- COLOURS - BLACK OR WHITE.

- DIMENSIONS - ALL DIMENSIONS IN MM UNLESS OTHERWISE STATED.

### INSTALLATION GUIDE:

- ITEM 1 - REMOVABLE BOLLARD
- ITEM 2 - GROUND FIXINGS (4 OFF):  
- M10 X 100MM SOCKET HEAD SCREW  
- M10 X  $\varnothing$  50 X 3MM WASHER  
- M10 X 60MM ANCHOR  
- M10 X  $\varnothing$  19 X 28MM SPACER

- ITEM 3 - BLOCK PAVING

- ITEM 4 - SOLID CONCRETE FOUNDATION

- TO ENSURE CORRECT ORIENTATION OF RETROREFLECTIVE BAND(S) THE FOOT OF THE BOLLARD SHOULD BE SITED PARALLEL TO THE CARRIAGE WAY AS SHOWN (SEE PLAN VIEW).

- ENSURE THAT THE RED RETROREFLECTOR FACES TOWARDS ONCOMING TRAFFIC OR YELLOW IF ON A CENTRAL RESERVATION.

- 4 HOLES TO BE DRILLED FOR GROUND FIXING ANCHORS AND SCREWS  $\varnothing$  16MM X 75MM (MIN DEPTH). ENSURE THE HOLES ARE LOCATED AT LEAST 100MM FROM ANY EDGE OF THE CONCRETE FOUNDATION.

- THIS BOLLARD IS ALSO AVAILABLE WITH CONCRETE-IN GROUND FIXINGS.

- AVOID CONTACT WITH HOT TARMACADAM AS THIS WILL SERIOUSLY IMPAIR THE PERFORMANCE OF THE BOLLARD.

- WE RECOMMEND INSTALLING THE BOLLARD ON AN EXISTING SOUND CONCRETE FOUNDATION, OR FOR SPEED, PREPARING THE SITE WITH QUICK SETTING CONCRETE (EG. GRADE QC10). BUT EXACT INSTALLATION REQUIREMENTS SHOULD BE ASSESSED FROM A SITE SURVEY.

### OPTIONAL PARTS:

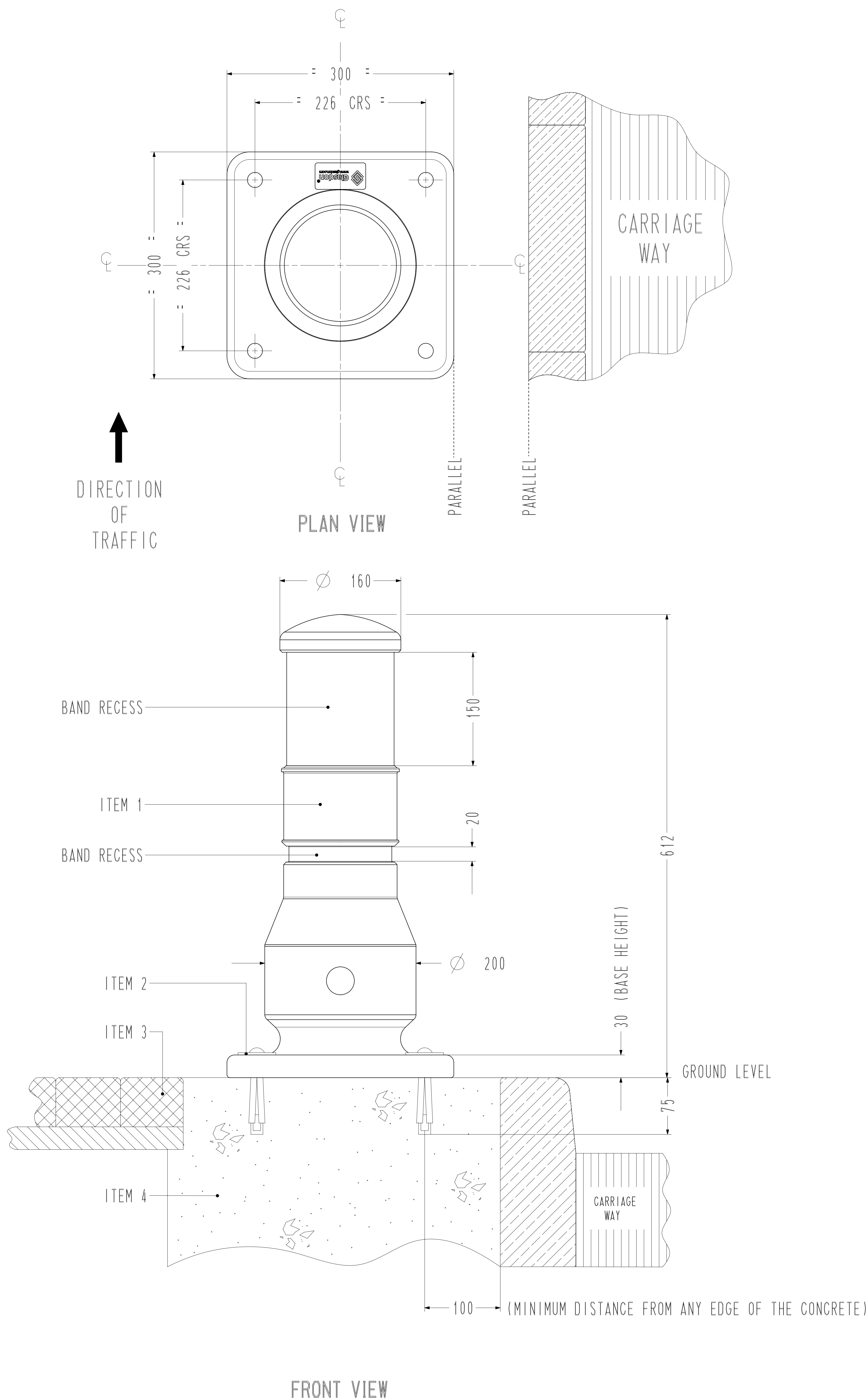
- RETROREFLECTIVE AND NON-REFLECTIVE SIGNFACES ARE AVAILABLE.
- IMPACTALIGHT REBOUND RETROREFLECTIVE BANDING (TO BS EN 12899-1:2007, FIXED, VERTICAL ROAD TRAFFIC SIGNS) OR DECORATIVE BANDING MAY BE FITTED.

- STANDARD BANDING SETS:  
1 X 150MM BAND (WITHIN THE UPPER BAND RECESS)  
1 X 19MM BAND (WITHIN THE LOWER BAND RECESS)

- SPARES ARE AVAILABLE, WHICH INCLUDE:

- BOLLARD C/W FIXINGS & RETROREFLECTIVE BANDS
- BOLLARD ONLY
- RANGE OF BANDING
- FIXINGS

- ALL RETROREFLECTIVE MATERIALS SUPPLIED BY GLASDON UK ARE AS RECOMMENDED IN TABLE NA1 OF THE NATIONAL ANNEX OF BS EN 12899-1 2007 FIXED VERTICAL ROAD SIGNS. MICROPRISMATIC RETROREFLECTIVE MATERIALS USED ON OUR PRODUCTS MEET THE REQUIREMENTS OF BS 8408 2005 ROAD TRAFFIC SIGNS. TESTING AND PERFORMANCE OF MICROPRISMATIC RETROREFLECTIVE SHEETING MATERIALS FOR THEIR APPLICATION AND SITING NORMS.



website: [www.glasdon.com](http://www.glasdon.com)

e-mail: [sales@glasdon.com](mailto:sales@glasdon.com)

Telephone: 01253 600400

Facsimile: 01253 792558

Copyright and/or design right in this representation and the product it depicts is reserved by Glasdon Group Limited. The issue of this drawing, is a confidential disclosure of its contents, and is made on condition that it is neither disclosed to a third party, nor any item described here in and designed by Glasdon Group Limited, is produced either in whole or in part without the written consent of Glasdon Group Limited.

SPECIFICATION NUMBER - 115022-S21

ISSUE 01

GLASDON GROUP LTD 13/03/13

SHEET SIZE:A2