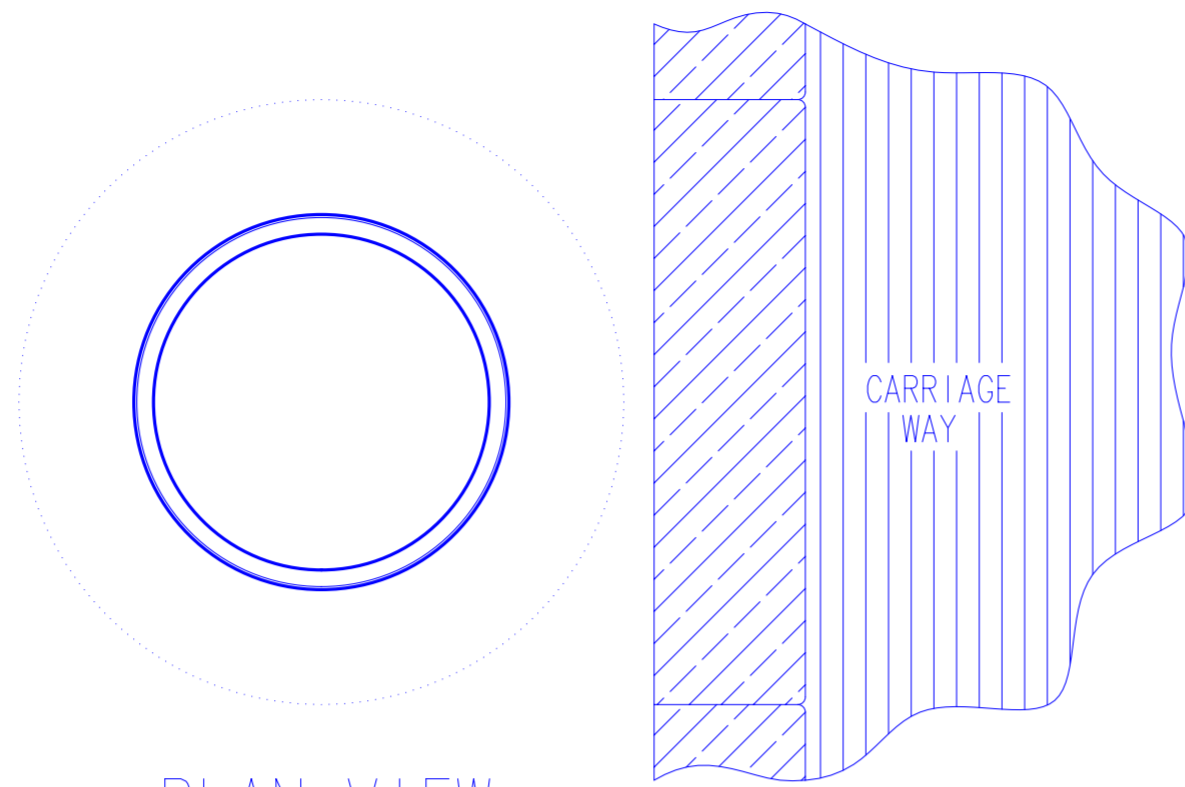
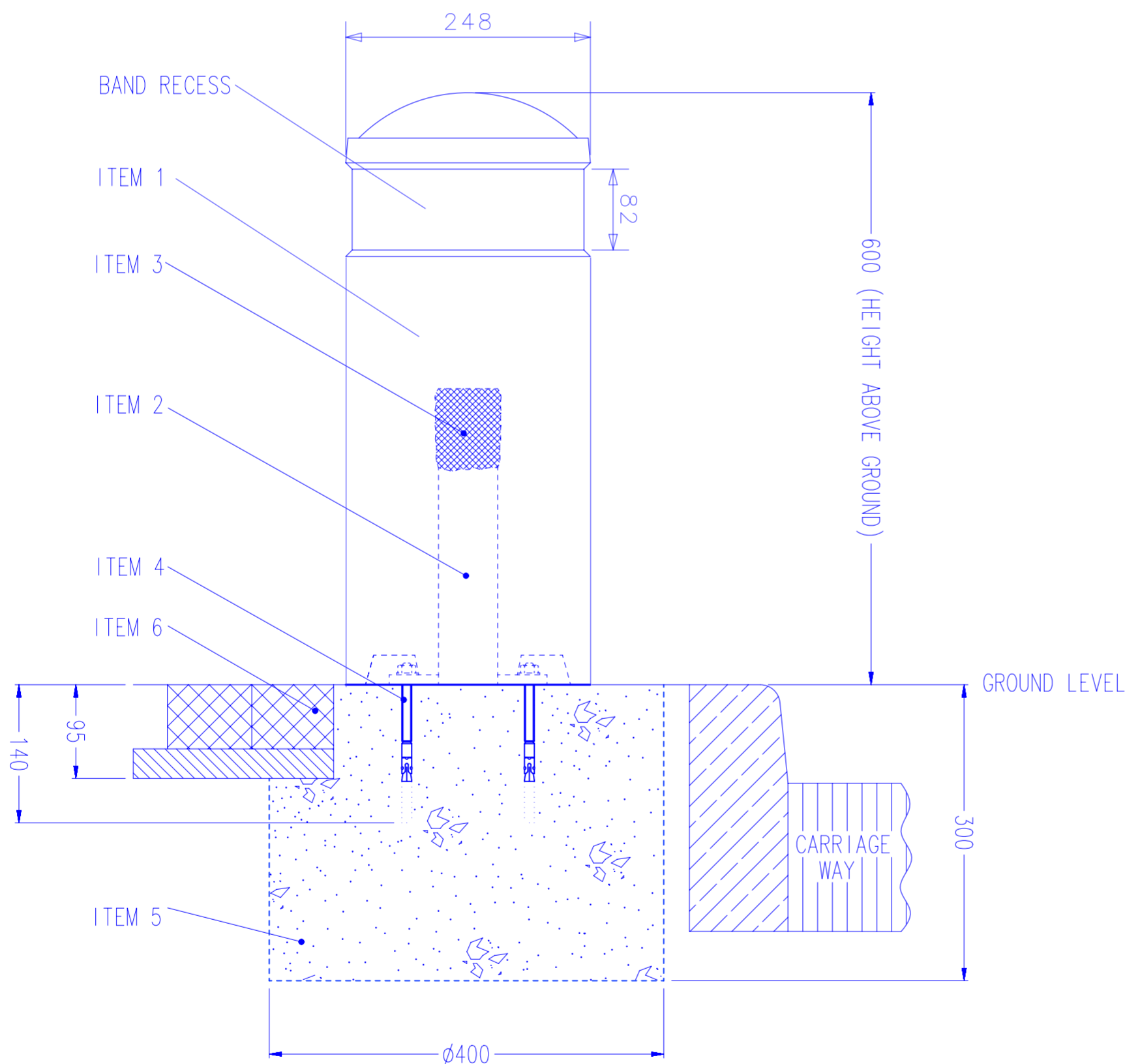


# 600 BUFFER™ MODEL SPECIFICATION BOLLARD – SURFACE MOUNTED BOLT DOWN



PLAN VIEW



FRONT VIEW

## PRODUCT INFORMATION:

- |          |                      | 900mm   | 600mm   |
|----------|----------------------|---------|---------|
| - WEIGHT | - BOLLARD            | 33.4 Kg | 22.4 Kg |
|          | - SURFACE MOUNT TUBE | 3.1 Kg  | 3.1 Kg  |
|          | - TOTAL              | 36.5 Kg | 25.5 Kg |
- MATERIAL - BOLLARD - 100% RECYCLED POST-CONSUMER RUBBER TYRES. CONCRETE-IN TUBE - MILD STEEL BZP.
  - COLOURS - BLACK, GREEN AND TERRACOTTA.
  - DIMENSIONS - ALL DIMENSIONS ARE IN MM UNLESS OTHERWISE STATED.

## INSTALLATION GUIDE:

- ITEM 1 - BOLLARD.
  - ITEM 2 - SURFACE MOUNT TUBE
  - ITEM 3 - ADHESIVE (OPTIONAL FOR HIGH VANDALISM AREAS)
  - ITEM 4 - GROUND FIXING BOLT  $\phi 10 \times 120\text{mm}$
  - ITEM 5 - QUICK SETTING CONCRETE (eg. GRADE QC10)
  - ITEM 6 - BLOCK PAVING
  - ENSURE REFLECTIVE BANDING IS IN THE CORRECT ORIENTATION - RED TOWARDS ONCOMING TRAFFIC (YELLOW ON CENTRAL RESERVATION).
  - RECOMMENDED HOLE SIZE  $\phi 400\text{mm} \times 300\text{mm}$ .
  - 4 HOLES TO BE DRILLED FOR GROUND FIXING BOLTS  $\phi 10 \times 140$  (MINIMUM DEPTH).
  - THIS BOLLARD IS ALSO AVAILABLE WITH EXTENDED BASE OR CONCRETE-IN FIXINGS.
  - AVOID CONTACT WITH HOT TARMACADAM AS THIS WILL SERIOUSLY IMPAIR THE PERFORMANCE OF THE BOLLARD.
  - WE RECOMMEND INSTALLING THE BOLLARD IN EXISTING SOUND CONCRETE FOUNDATION OR PREPARING THE SITE WITH QUICK SETTING CONCRETE (eg. GRADE QC10) BUT EXACT INSTALLATION REQUIREMENTS SHOULD BE ASSESSED FROM A SITE SURVEY.
- ### OPTIONAL PARTS:
- ALUMINIUM BACKED RETROREFLECTIVE BANDING (TO BS EN 12899-1:2007, FIXED, VERTICAL ROAD TRAFFIC SIGNS) OR DECORATIVE BANDING MAY BE FITTED.
  - STANDARD BANDING SETS:  
1 x 80mm BAND.
  - SPARE BOLLARDS AND BANDING ARE AVAILABLE (BOLLARD CAN ONLY BE REPLACED IF ADHESIVE IS NOT USED FOR INITIAL INSTALLATION).
  - ALL RETOREFLECTIVE MATERIALS SUPPLIED BY GLASDON ARE AS RECOMMENDED IN TABLE NA1 OF THE NATIONAL ANNEX OF BS EN 12899-1 2007 FIXED VERTICAL ROAD SIGNS.



website: [www.glasdon.com](http://www.glasdon.com)  
 e-mail: [sales@glasdon.com](mailto:sales@glasdon.com)  
 Telephone: 01253 600400  
 Facsimile: 01253 792558

Copyright and/or design right in this representation and the product it depicts is reserved by Glasdon Group Limited. The issue of this drawing, is a confidential disclosure of its contents, and is made on condition that it is neither disclosed to a third party, nor any item described here in and designed by Glasdon Group Limited, is produced either in whole or in part without the written consent of Glasdon Group Limited.

SPECIFICATION NUMBER - 11S033-505 ISSUE 01

GLASDON GROUP LTD 18/02/15 SHEET SIZE:A2