

MODEL SPECIFICATION HAZARDMASTER™

PRODUCT INFORMATION:

- WEIGHT - 4.0 Kg
- MATERIAL - Impactopol
- COLOURS - Black Post® White Banding & Reflector (See colour options)
- DIMENSIONS - All dimensions in mm unless otherwise stated
- ITEM 1 - Hazardmaster c/w Band and Retro-reflectors
- ITEM 2 - Block Paving
- ITEM 3 - Quick Setting Concrete (e.g. Grade QC10), or Subsoil
- ITEM 4 - Retro-Reflector - (Red)
- ITEM 5 - Retro-Reflector - (White)

TECHNICAL REFERENCE:

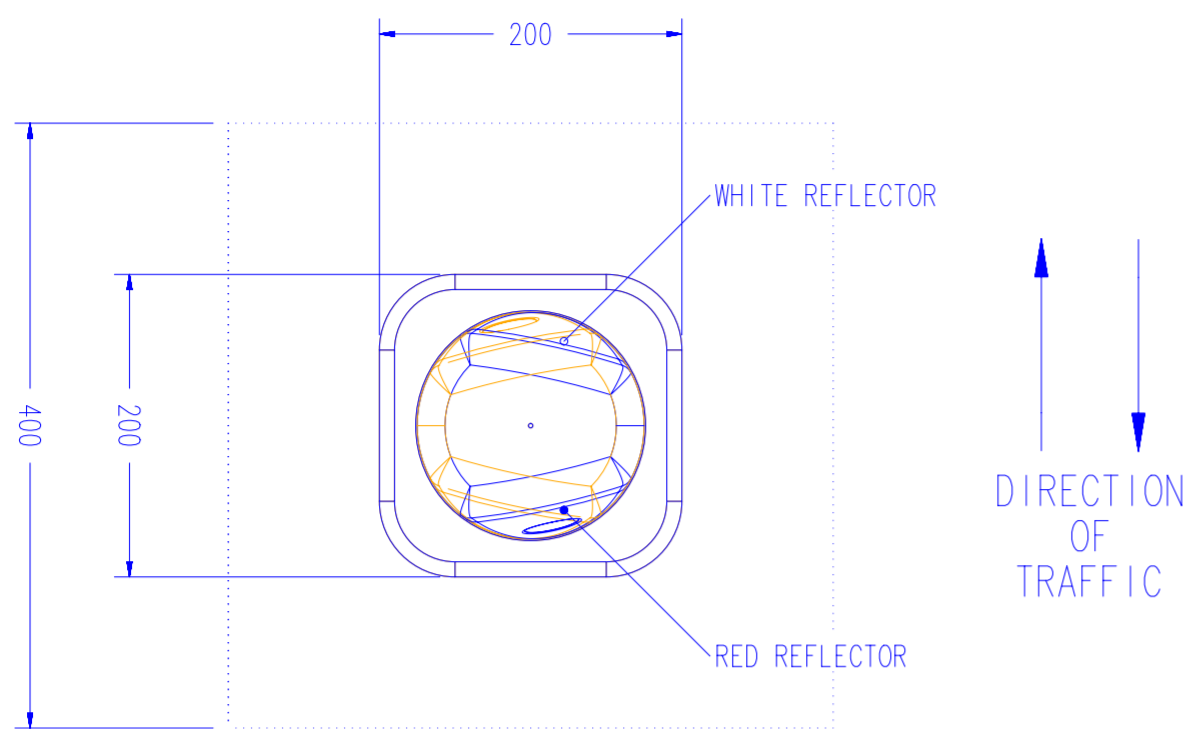
- Conforms with the requirements of 'The Statutory Instruments No. 3113 - The Traffic Signs Regulations & General Directions 2002 (TSRGD) - Diagram 561.'
- Complies with the 'Department for Transport Traffic Signs Manual, Chapter 4, Warning Signs, 2013.'
- The Retro-reflectors Surface Area is in accordance with Diagram 561 in TSRGD.
- Type R1 Retro-reflectors are available to class RA2 or class 3 as defined in EN 12899-3-2007

INSTALLATION GUIDE:

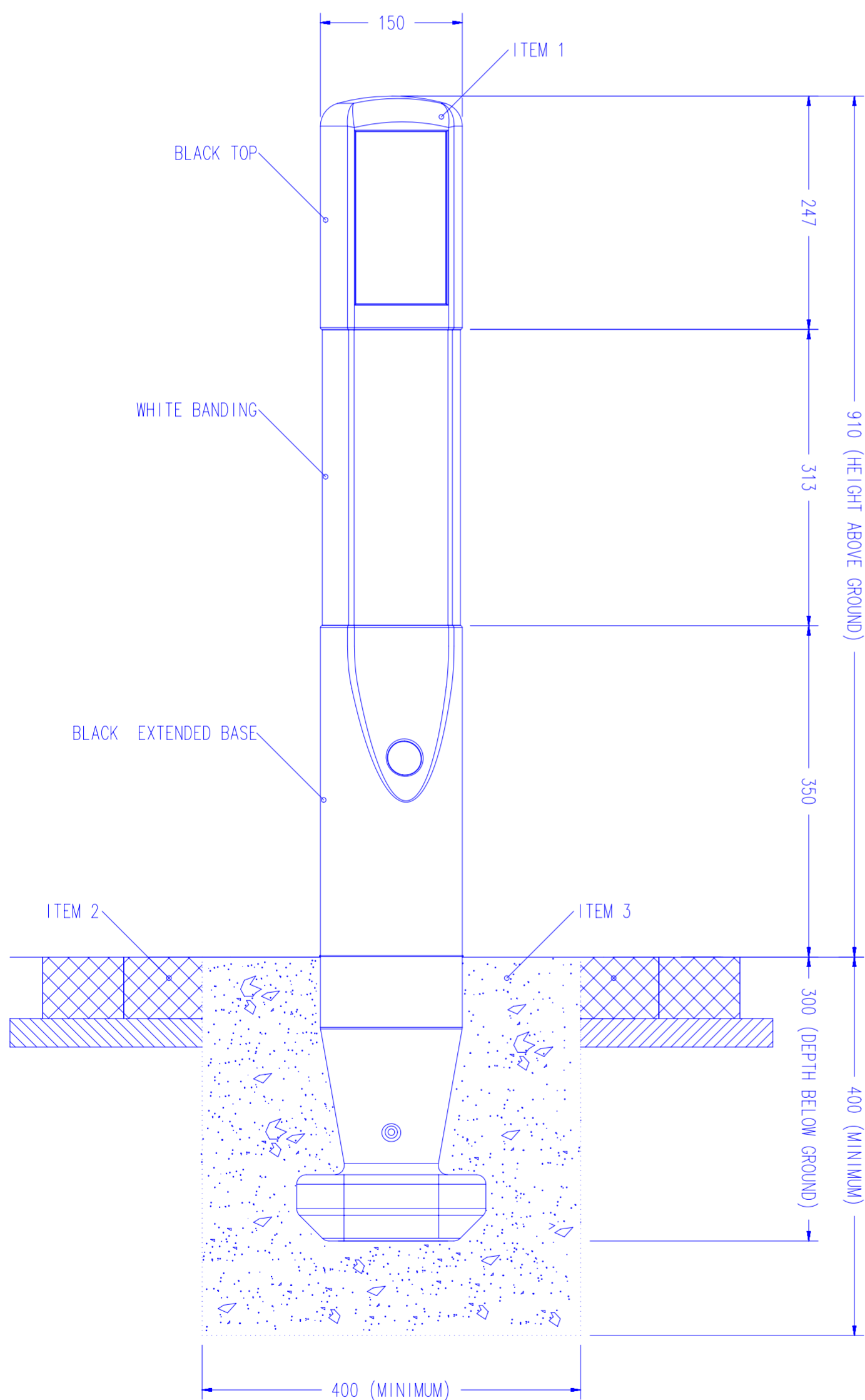
- Provides quick, low cost installation, in hard ground type.
- Post to be positioned in orientation shown in detail plan view, to ensure Hazardmaster is positioned correctly.
- Ensure Retro-reflectors are positioned in correct orientation. Red Retro-reflector faces oncoming traffic on the near-side. White Retro-reflector faces oncoming traffic on the off-side. Amber Retro-reflector faces oncoming traffic on the off-side of dual carriageways.
- Recommended hole size 400mm x 400mm x 400mm Deep.
- Installation -
 - (1) Prepare a ground hole 400mm x 400mm x 400mm Deep.
 - (2) Place gravel to a depth of 100mm into the hole. Bed the Hazardmaster down onto the gravel.
 - (3) Backfill with cement and aggregate mix. Ensure the vertical position of the Hazardmaster is maintained during the concrete setting period.
- Avoid contact with hot Tarmac as this will seriously impair the performance of the Hazardmaster post.
- We recommend installing with quick setting concrete (e.g. Grade QC10), but exact installation requirements should be assessed from a site survey.

OPTIONAL PARTS / SPARES:

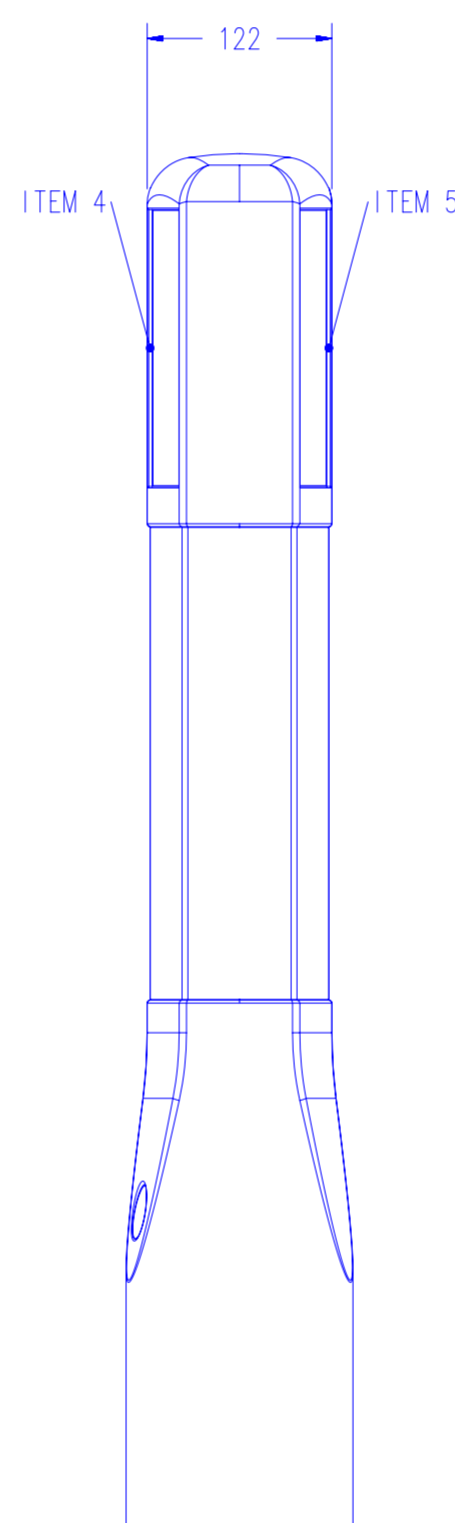
- Hazardmaster c/w Red/White Reflectors
- Hazardmaster Post Only
- White Banding
- Retro-Reflectors - Red (Pack of 5)
- Retro-Reflectors - White (Pack of 5)
- Retro-Reflectors - Amber (Pack of 5)



PLAN VIEW (NEAR SIDE)



FRONT VIEW (NEAR SIDE)



SIDE VIEW



website: www.glasdon.com
 e-mail: sales@glasdon.com
 Telephone: 01253 600400
 Facsimile: 01253 792558

Copyright and/or design right in this representation and the product it depicts is reserved by Glasdon Group Limited. The issue of this drawing, is a confidential disclosure of its contents, and is made on condition that it is neither disclosed to a third party, nor any item described here in and designed by Glasdon Group Limited, is produced either in whole or in part without the written consent of Glasdon Group Limited.

SPECIFICATION NUMBER - 115039-S01 ISSUE 09

GLASDON GROUP LTD 18/02/15 SHEET SIZE:A2