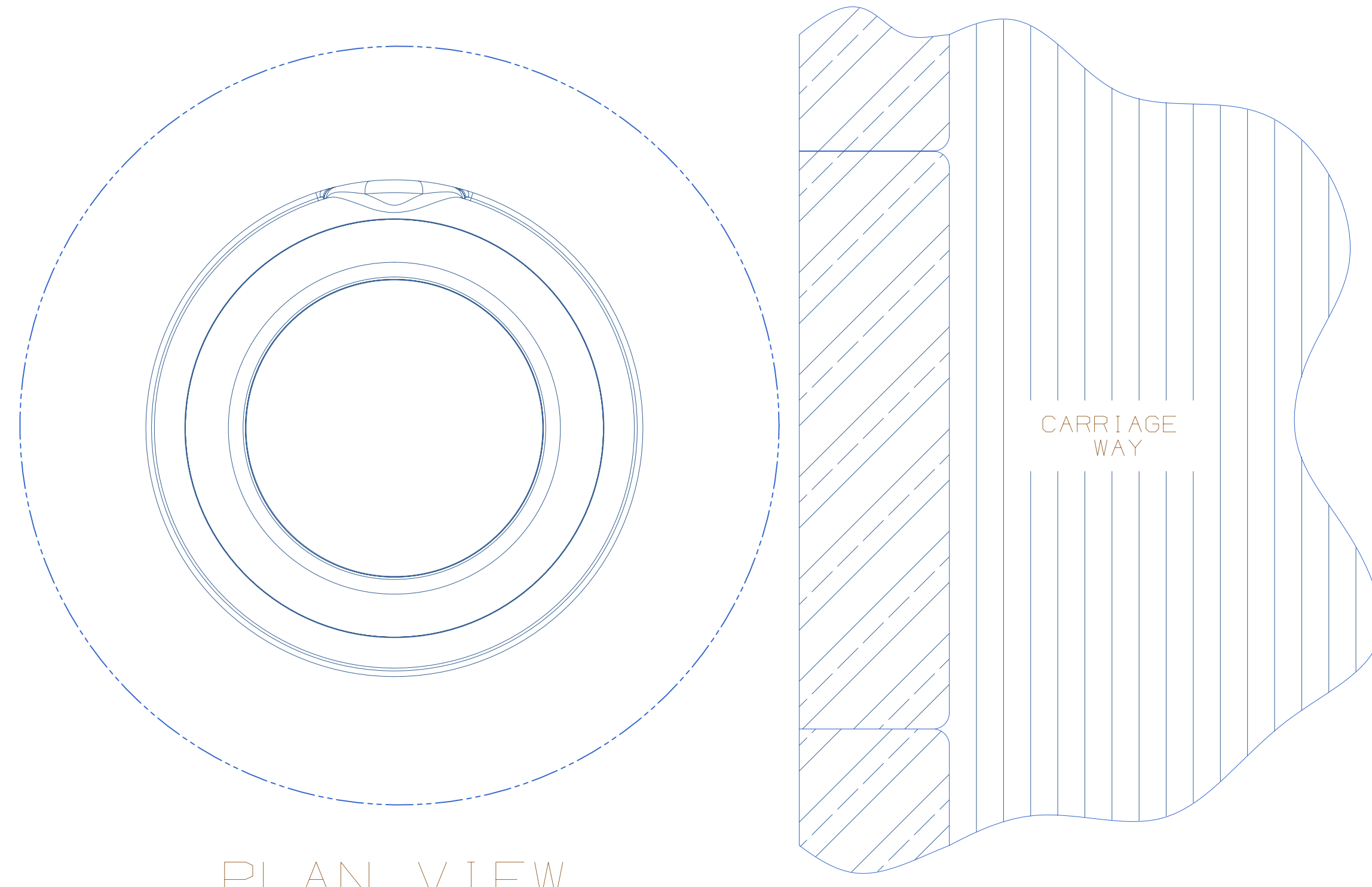


MODEL SPECIFICATION

GLASDON MANCHESTER™ BOLLARD - DURAPOL® - EXTENDED BASE



PLAN VIEW

PRODUCT INFORMATION:

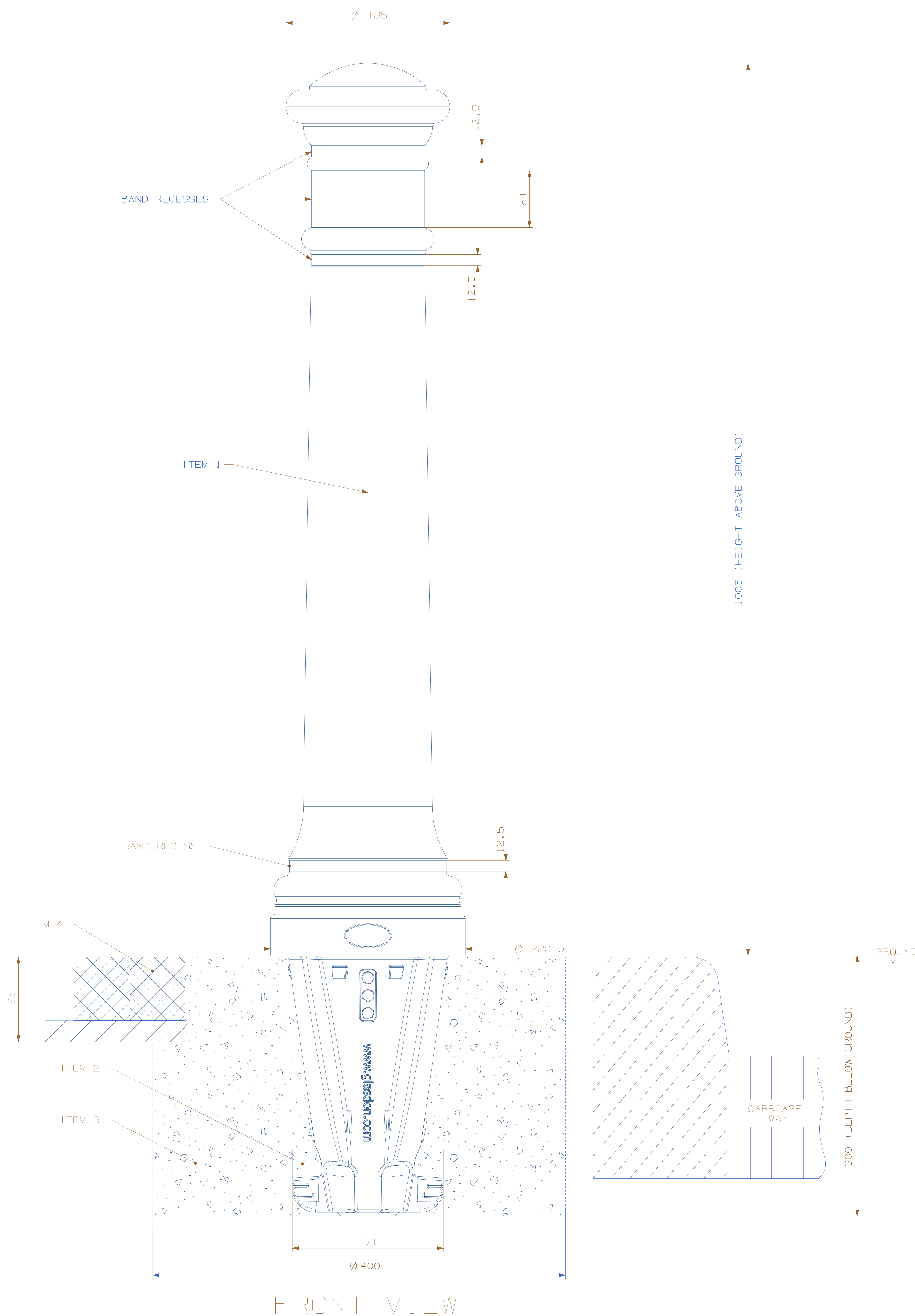
- WEIGHT - BOLLARD 3.5 Kg
- MATERIAL - BOLLARD - DURAPOL®
- COLOURS - BLACK
- DIMENSIONS - ALL DIMENSIONS IN MM UNLESS OTHERWISE STATED.

INSTALLATION GUIDE:

- ITEM 1 - BOLLARD
- ITEM 2 - ANCHOR TUBE
- ITEM 3 - QUICK SETTING CONCRETE (eg. GRADE QC10)
- ITEM 4 - BLOCK PAVING
- ENSURE RETRO-REFLECTORS ARE IN THE CORRECT ORIENTATION - RED TOWARDS ONCOMING TRAFFIC (YELLOW ON CENTRAL RESERVATION).
- RECOMMENDED HOLE SIZE $\phi 400\text{mm}$ x 300mm DEEP.
- AVOID CONTACT WITH HOT TARMACADAM AS THIS WILL SERIOUSLY IMPAIR THE PERFORMANCE OF THE BOLLARD.
- WE RECOMMEND INSTALLING WITH QUICK SETTING CONCRETE (eg. GRADE QC10) BUT EXACT INSTALLATION REQUIREMENTS SHOULD BE ASSESSED FROM A SITE SURVEY.

OPTIONAL PARTS:

- ALL RETROREFLECTIVE MATERIALS SUPPLIED BY GLASDON ARE AS RECOMMENDED IN TABLE NA1 OF THE NATIONAL ANNEX OF BS EN 12899-1 2007 FIXED VERTICAL ROAD SIGNS.
- MICROPRISMATIC RETROREFLECTIVE MATERIALS USED ON OUR PRODUCTS MEET THE REQUIREMENTS OF BS 8408 2005 ROAD TRAFFIC SIGNS. TESTING AND PERFORMANCE OF MICROPRISMATIC RETROREFLECTIVE SHEETING MATERIALS FOR THEIR APPLICATION AND SITED NORMS.
- STANDARD REFLECTOR/BANDING SETS:
 - 2 x 12x417mm BANDS (1 OR 2 OPTIONAL)
 - 1 x 63x417mm BANDS
 - 1 x 12x576mm BANDS
- SPARE REFLECTOR SETS ARE AVAILABLE.



FRONT VIEW



web site: www.glasdon.com
 e-mail: sales@glasdon.com
 telephone: 01253 600400
 facsimile: 01253 792558

Copyright and/or Design right in this representation and the product it depicts is reserved by Glasdon Group Limited. The issue of this drawing, is a confidential disclosure of its contents, and is made on condition that it is neither disclosed to a third party, nor any item described here in and designed by Glasdon Group Limited, is produced either in whole or in part without the written consent of Glasdon Group Limited.

SPECIFICATION NUMBER - 115046-S01	ISSUE 03
GLASDON GROUP LTD 18/03/11	SHEET SIZE:A2