

MODEL SPECIFICATION

INFOMASTER™

PRODUCT INFORMATION

- DESCRIPTION - FIXED SIGN CARRYING BOLLARD FOR EXTERNAL USE.
- WEIGHT - BOLLARD - 6.0 Kg
- MATERIAL - BOLLARD: - DURAPOL®
FIXINGS: - SCREWS - STAINLESS STEEL
- WASHERS - STAINLESS STEEL
- SPACERS - RIGID PVC
- ANCHORS - MS BZP
- BODY COLOURS - BLACK / MILLSTONE
- DIMENSIONS - ALL DIMENSIONS IN MM UNLESS OTHERWISE STATED.

OPTIONAL EXTRAS

- PERSONALISATION
POLYCARBONATE PLAQUE SIZE - 306mm x 246mm
SIDE REFLECTORS - 98mm x 38mm
FRONT VERTICAL STICKER - 237mm x 39mm
FRONT STICKER - 63mm x 18mm

PRODUCT OPTIONS

- FRONT PLAQUE ONLY
- BACK PLAQUE ONLY
- FRONT AND REAR PLAQUE
- SIDE REFLECTORS - BLUE RAL 5017
- INSTALLATION PLATE

INSTALLATION GUIDE

- ITEM 1 - BOLLARD
- ITEM 2 - SOLID CONCRETE FOUNDATION OR QUICK SETTING CONCRETE (e.g. GRADE QC10)
- ITEM 3 - GROUND FIXING OPTION 1 - ADJUSTABLE DEPTH CONCRETE-IN ANCHOR
- ITEM 4 - GROUND FIXING OPTION 2 - ADJ DEPTH CONCRETE-IN ANCHOR C/W INSTALLATION PLATE
- ITEM 5 - GROUND FIXING OPTION 3 - SURFACE MOUNT FIXINGS

● FOR OPTION 1 : ADJ DEPTH CONCRETE-IN ANCHORS

FIX THE BARS TO THE BOLLARD BEFORE INSTALLATION AS THIS WILL ENSURE FIXING CENTRES ARE CORRECT AND PREVENT THE NEED TO REVISIT THE SITE ONCE CONCRETE HAS SET.

RECOMMENDED MINIMUM HOLE SIZE: 480 X 250 X 400mm DEEP

IF DEPTH IS RESTRICTED TO LESS THAN 400mm WHEN USING OPTION 1, THEN THE ADJ DEPTH ANCHOR FIXING BARS CAN BE CUT DOWN IF REQUIRED. HOWEVER WE RECOMMEND USING THE SAME VOLUME OF CONCRETE BY INCREASING THE WIDTH OF THE HOLE TO COMPENSATE.

● FOR OPTION 2 - ADJ DEPTH CONCRETE-IN ANCHORS C/W INSTALLATION PLATE

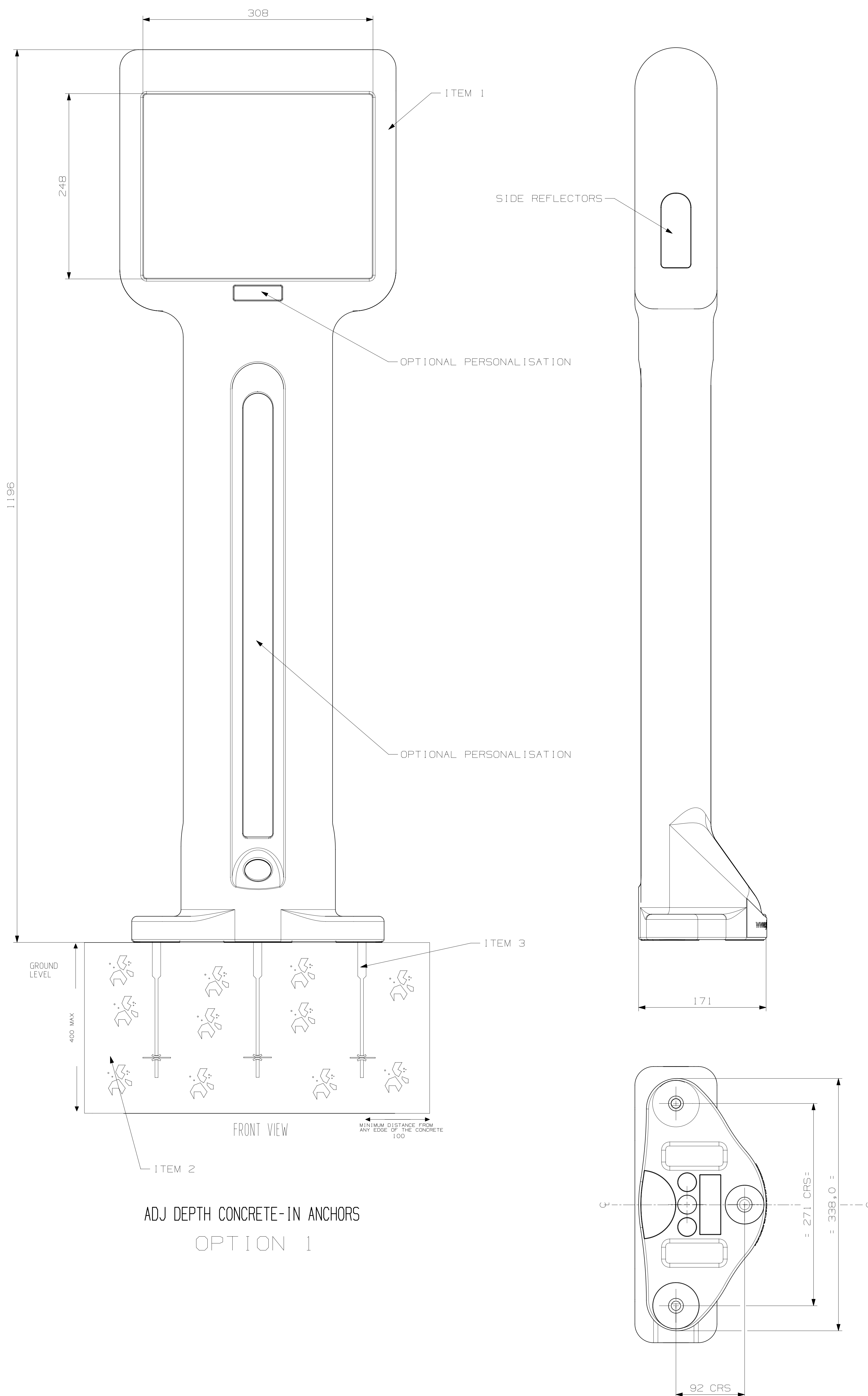
FIX THE BARS TO THE INSTALLATION PLATE PROVIDED AND PLACE INTO CONCRETE ENSURING PLATE IS PARALLEL WITH FIXING SURFACE. THE PLATE ENSURES HOLE CENTRES ARE CORRECT WHEN THE BOLLARD IS INSTALLED AT A LATER DATE.

● FOR OPTION 3: SURFACE MOUNT FIXING:

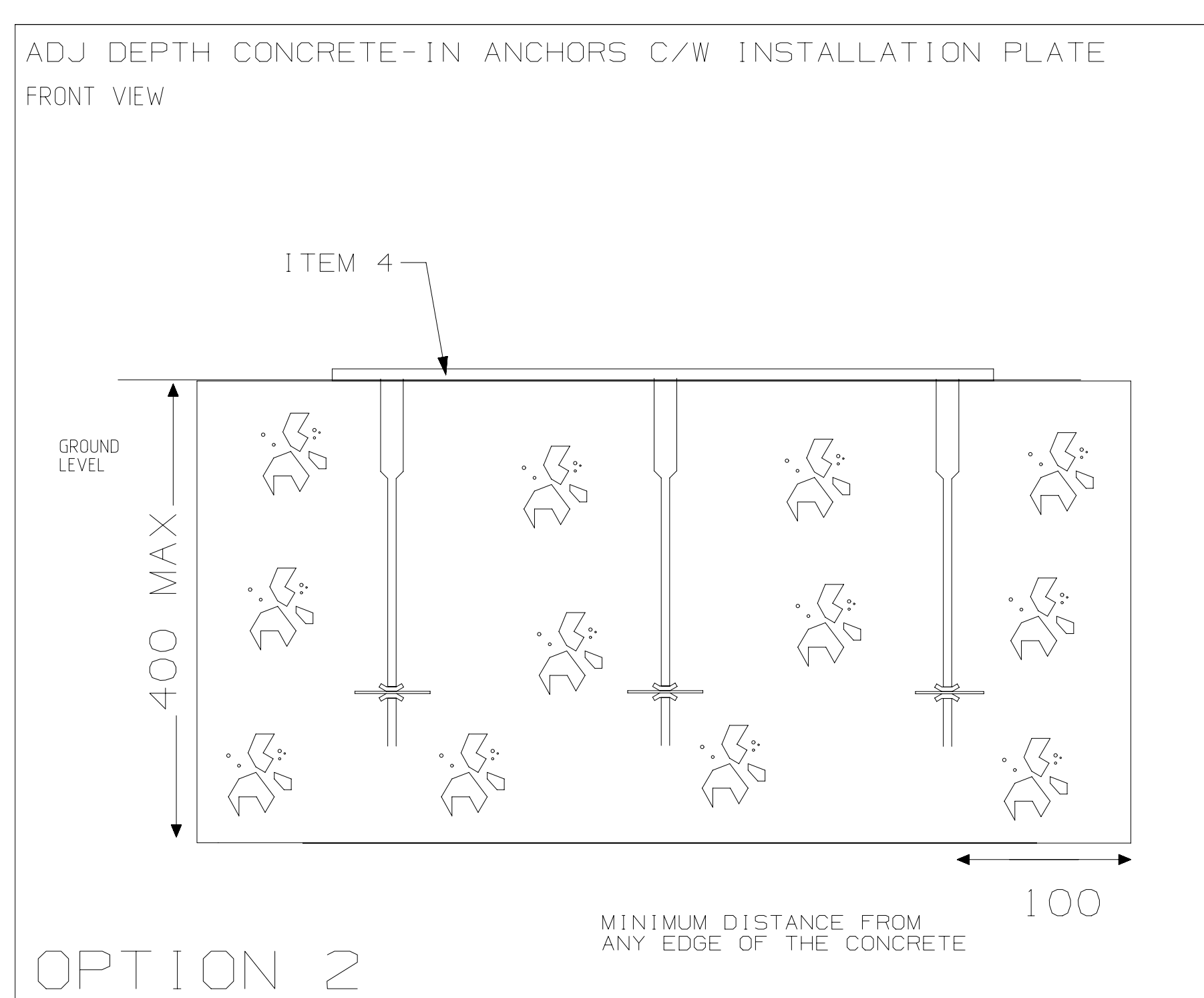
3 HOLES TO BE DRILLED FOR GROUND FIXING ANCHORS AND SCREWS $\phi 16\text{mm} \times 75\text{mm}$ (MIN DEPTH). ENSURE THE HOLES ARE LOCATED AT LEAST 100mm FROM ANY EDGE OF THE CONCRETE FOUNDATION.

WE RECOMMEND INSTALLING THE BOLLARD ON AN EXISTING SOUND CONCRETE FOUNDATION, OR FOR SPEED, PREPARING THE SITE WITH QUICK SETTING CONCRETE (e.g. GRADE QC10). BUT EXACT INSTALLATION REQUIREMENTS SHOULD BE ASSESSED FROM A SITE SURVEY.

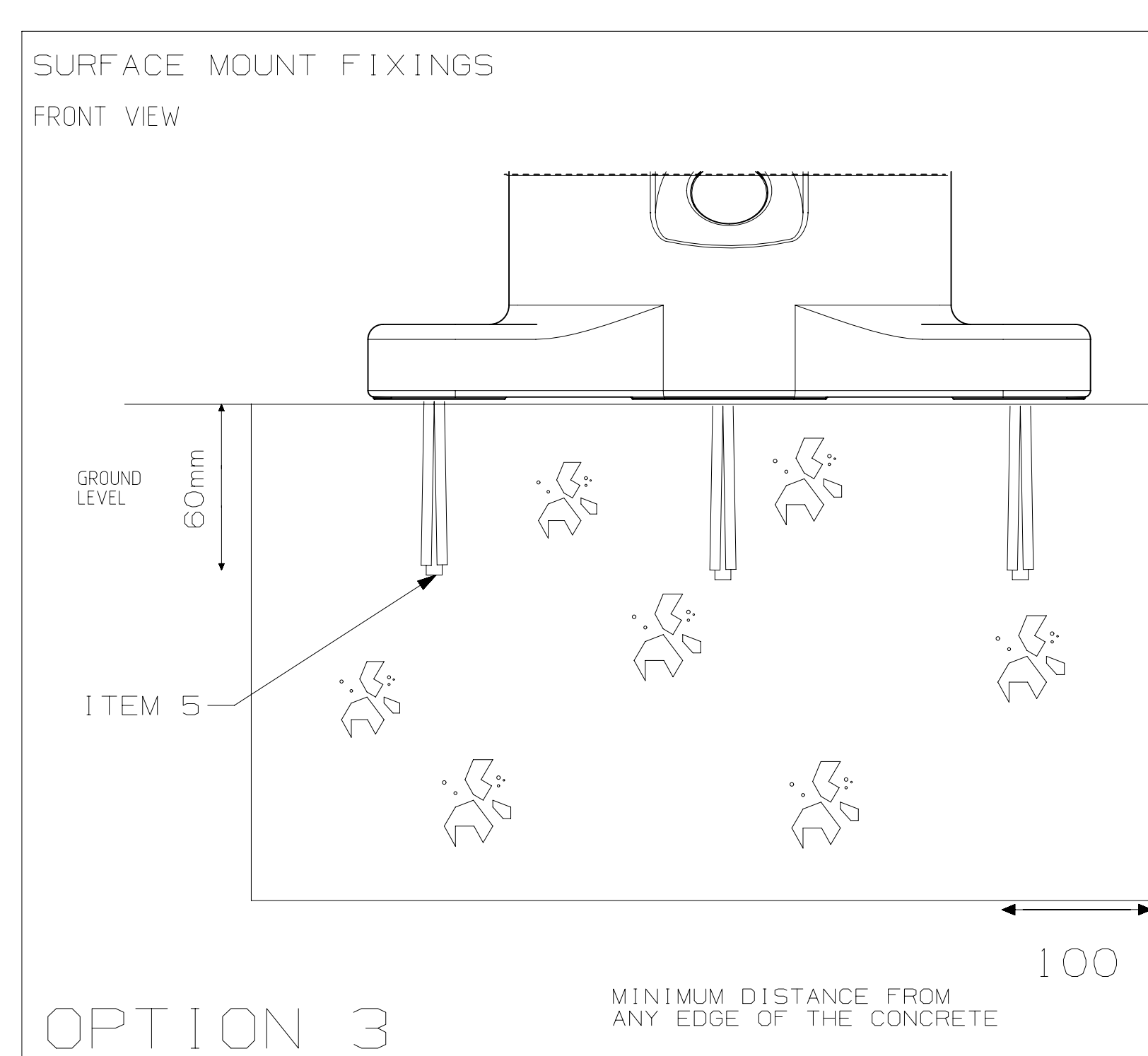
AVOID CONTACT WITH HOT TARMACADAM AS THIS WILL SERIOUSLY IMPAIR THE PERFORMANCE OF THE BOLLARD.



ADJ DEPTH CONCRETE-IN ANCHORS
OPTION 1



OPTION 2



OPTION 3



web site: www.glasdon.com
e-mail: sales@glasdon.com
telephone: 01253 600400
facsimile: 01253 792558

Copyright and/or design right in this representation and the product it depicts is reserved by Glasdon Group Limited. The issue of this drawing, is a confidential disclosure of its contents, and is made on condition that it is neither disclosed to a third party, nor any item described here in and designed by Glasdon Group Limited, is produced either in whole or in part without the written consent of Glasdon Group Limited.

SPECIFICATION NUMBER - 115047-S01	ISSUE 03
GLASDON GROUP LTD 01/08/11	SHEET SIZE:A2